



2" PGV Valve Testing Results
APPLICABLE TO THE ANY HYDRANTS THAT
INCORPORATE THE PGV IN THE ANGLE
POSITION, INCLUDING BUT NOT LIMITED TO:

9800WC & 9800WC-i

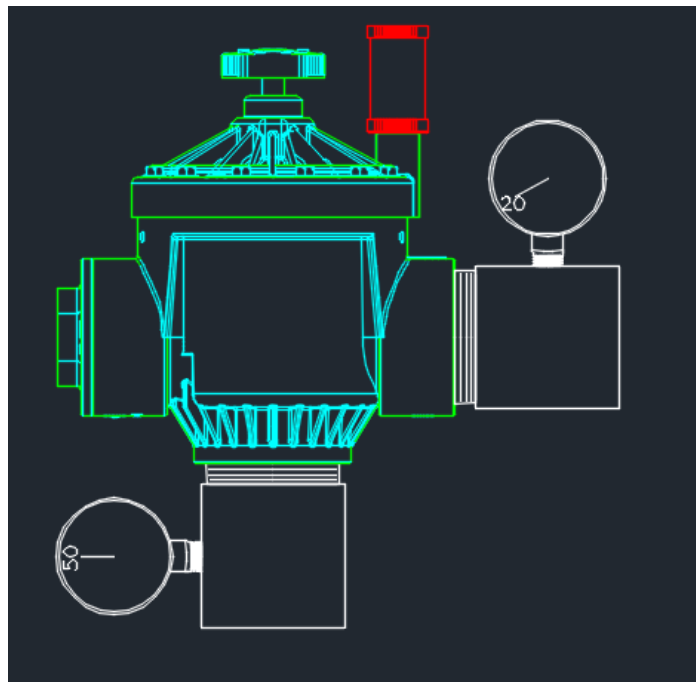
Disclaimer: While this document is complete, comprehensive, and accurate to the best of Kuperle's knowledge, this document is subject to change and is for general information purposes only.

General Overview:

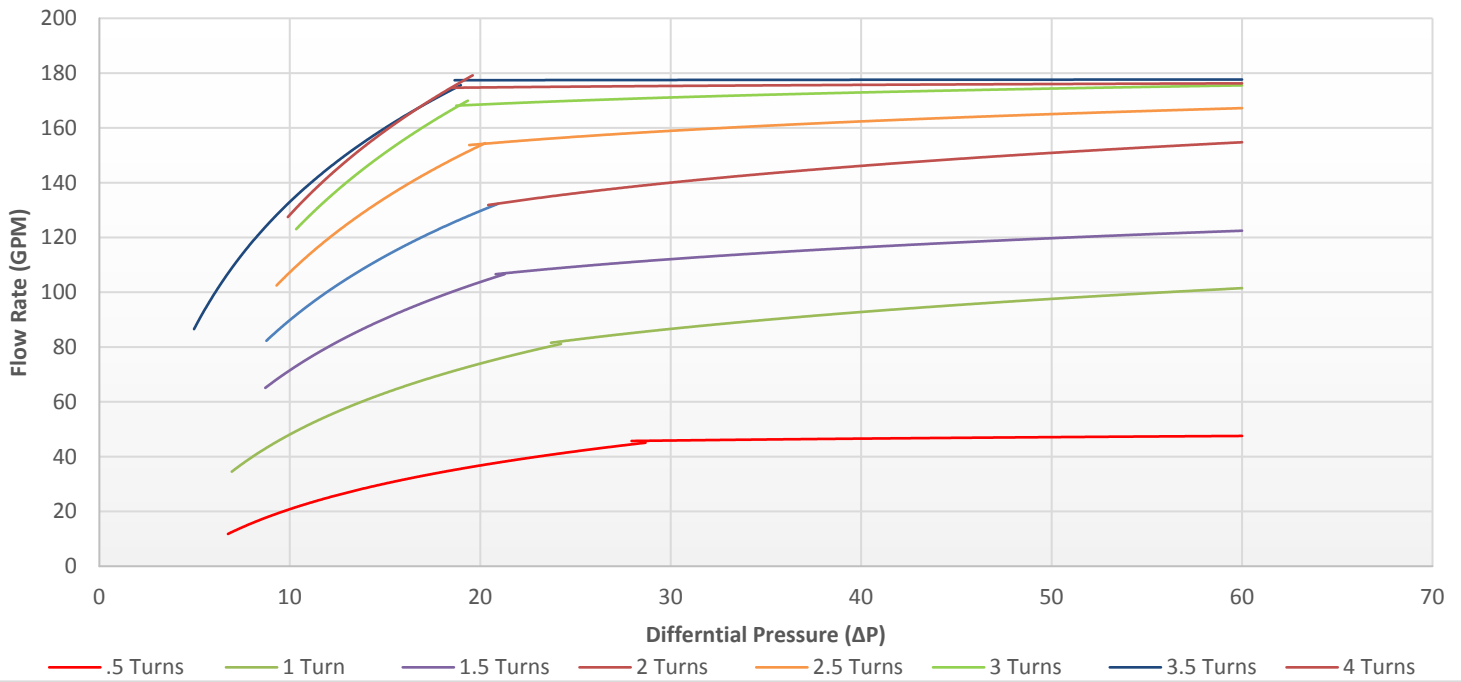
The results listed and illustrated below are a reflection of the valve operating independently of a complete installation. Head loss as a result of pipe size, pipe material, elbows, etc. was not included in these calculations simply because of the large number of different applications.

The differential pressure used in this test was the pressure across the valve itself. For most installations, this will mean that the water pressure on the front of the valve (while in the on position) compared to the water pressure on the discharge side of the valve (also in the on position) will provide a differential pressure. If that cannot be determined sometimes, knowing the static pressure (when the valve is closed) and comparing it to the dynamic pressure (pressure when the hydrant is running) can give an approximate differential pressure.

Below shows a typical set up for finding differential pressure across the valve. Setting up a pressure gauge before and after will allow the user to simply subtract the two numbers to find this value. For the figure below the differential pressure would be 30. Taking the upstream of 50 and subtracting the downstream of 20 gives this value.



2" PGV Valve



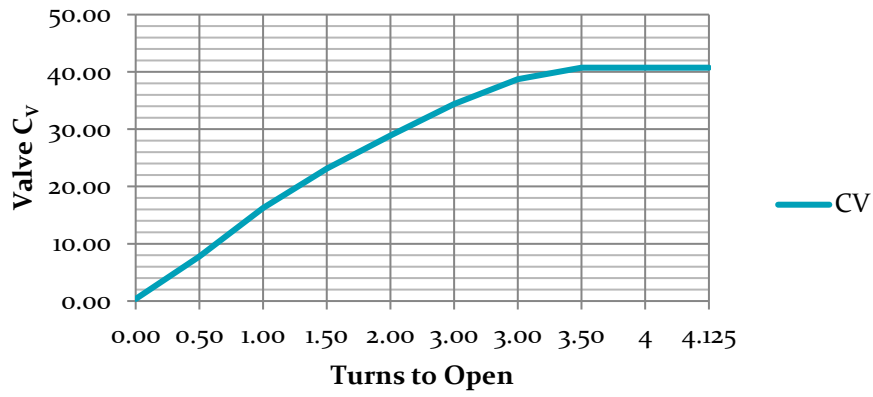
1 Turns	
ΔP	(GPM)
5	22
10	50
15	60
20	73
25	82
30	86
35	89
40	92
45	95
50	97
55	99
60	101

2 Turns	
ΔP	(GPM)
5	50
10	90
15	110
20	131
25	136
30	139
35	143
40	146
45	148
50	150
55	152
60	154

3 Turns	
ΔP	(GPM)
5	68
10	128
15	154
20	167
25	168
30	170
35	171
40	172
45	173
50	174
55	175
60	176

4 Turns	
ΔP	(GPM)
5	76
10	130
15	159
20	175
25	175
30	175
35	175
40	175
45	175
50	176
55	176
60	176

PGV 2 inch -- C_V vs Turns Open



CV	Turns Open
0.36	0.00
7.77	0.50
16.25	1.00
23.10	1.50
28.89	2.00
34.39	3.00
38.73	3.00
40.73	3.50
40.74	4
40.73	4.125