

# #TF-300 CUT SHEET

(2" VERTICAL INLET, 2-1/2" NST OUTLET)

## PARTS LIST

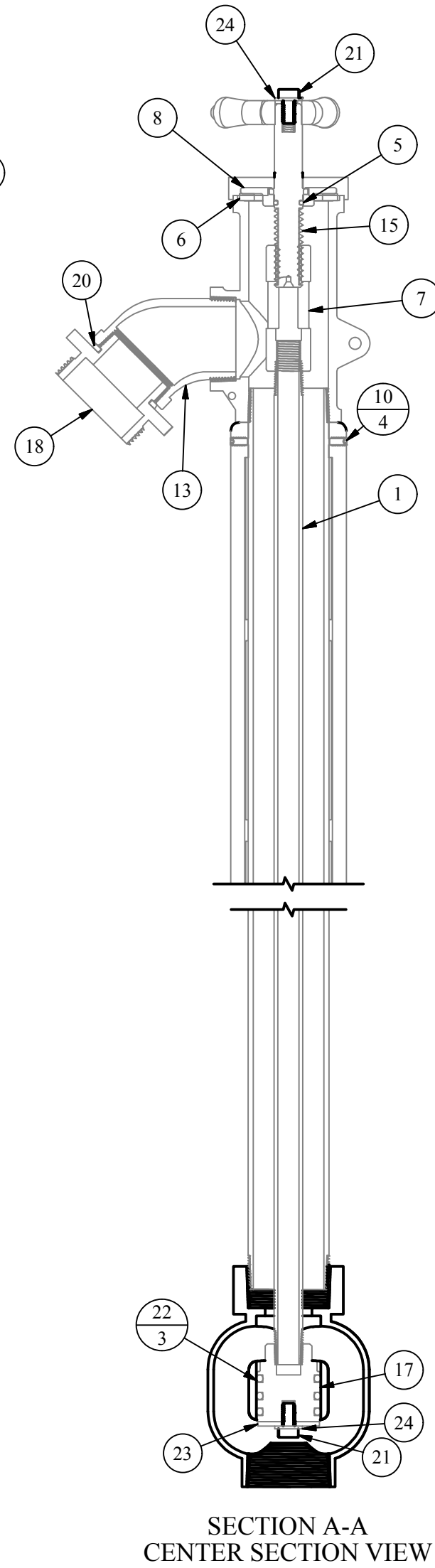
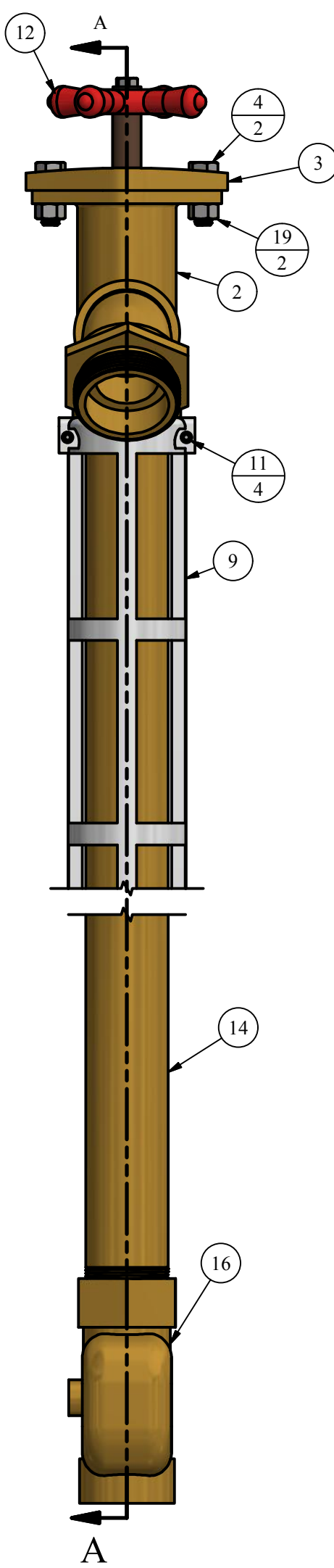
ITEM	QTY	PART NUMBER	DESCRIPTION	NOTES
1	5.33	1/2BP	OPERATING ROD	B,C
2	1	10201-B	BRASS HEAD STOCK	C
3	1	10202-B	BRASS TOP CAP	C
4	2	10210	BOLT FOR TF200 TOP CAP	
5	1	10220	O-RING FOR OPERATING SCREW	C
6	1	10222	TOP CAP GASKET	C
7	1	10241	BRASS CONNECTING NUT	C
8	1	10243	TOP CAP NUT	C
9	2	10257	ALUMINUM CAGE CASING GUARD	C
10	4	10258	GUARD SET SCREW	C
11	4	10259	GUARD SCREW	C
12	1	1699	HANDLE	C
13	1	245BSL	2" 45° BRASS STREET "L"	C
14	4.83	2GAL	2" GALVANIZED BARREL PIPE	B,C
15	1	500TF	OPERATING SCREW FOR 1699 HANDLE	
16	1	57V	DUAL PORT STRAIGHT VALVE	C
17	1	57V-PLUNGER	PLUNGER FOR 57 VALVE	
18	1	601A	2-1/2" NST BRASS NOZZLE	C
19	2	629A-N-SS	S.S. HEX NUT	
20	1	669	GASKET	C
21	2	77C	PLUNGER/HANDLE S.S. BOLT	
22	3	77D	MAINGUARD PLUNGER O-RING	C
23	1	77I	SEAT WASHER	C
24	2	77W	PLUNGER/HANDLE S.S. WASHER	

## OPTIONS / REPAIR PARTS ONLY

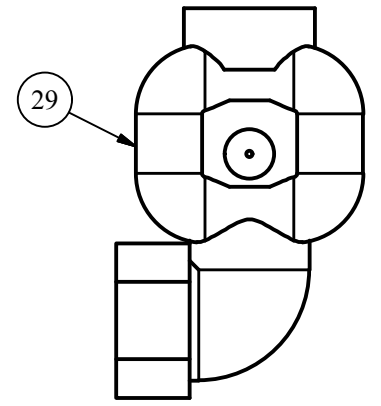
25	0	1/2GAL	OPERATING ROD (GALVANIZED-5.33 FT)	A,B,C
26	0	1/2SSP	OPERATING ROD (S.S.-5.33 FT)	A,B,C
27	0	2BP	2" BRASS BARREL PIPE (4.83 FT)	A,B,C
28	0	2SSP	2" S.S. BARREL PIPE (4.83 FT)	A,B,C
29	0	58V	DUAL PORT SIDE INLET VALVE	C
30	0	665	HAND WHEEL	C

## REPAIR KITS

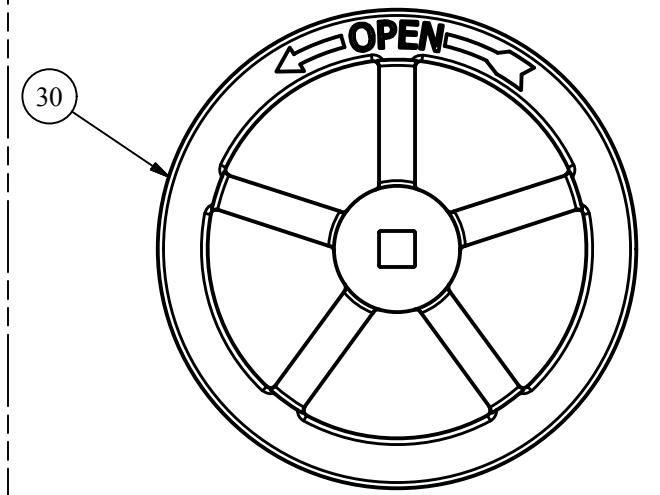
PART NUMBER	DESCRIPTION	PARTS INCLUDED
X500TF	OPERATING SCREW ASSEMBLY	500TF TOP SCREW (1), 10220 O-RING FOR OPERATING SCREW (2)
X57RK	TRUFLO REPAIR KIT	77D O-RING (3), 77I SEAT WASHER (1), 77W WASHER (1)
X57V-PLUNGER	TRUFLO PLUNGER COMPLETE	57V-PLUNGER PLUNGER (1), 77D O-RING (3), 77I SEAT WASHER (1), 77W WASHER (1), 77C BOLT
X601A	2-1/2" BRASS NOZZLE COMPLETE	601A NOZZLE (1), 669 GASKET (1)



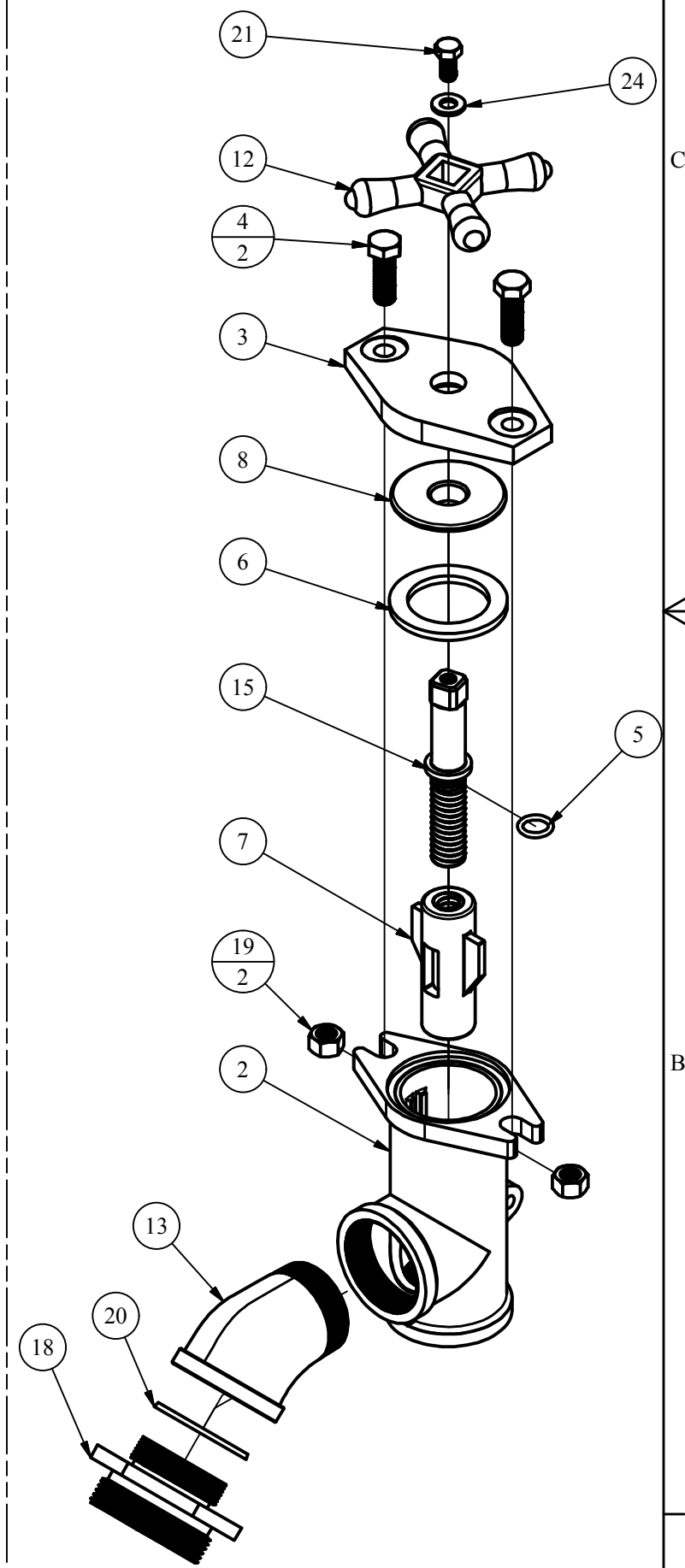
## OPTIONAL SIDE INLET VALVE



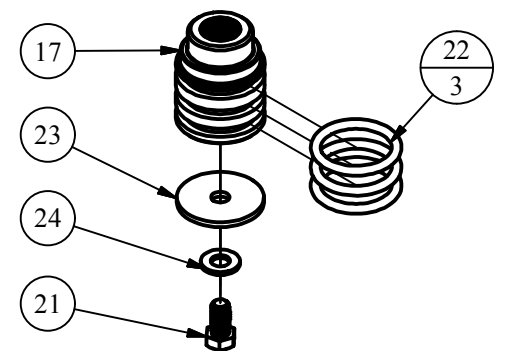
## OPTIONAL HAND WHEEL



## TOP ASSEMBLY



## PLUNGER ASSEMBLY



NOTE	DESCRIPTION
A	NOT SHOWN
B	PIPE LENGTH DEPENDENT ON DEPTH OF BURY
C	SOLD AS REPLACEMENT PART

**DISCLAIMER**  
THIS DRAWING IS THE PROPERTY OF THE KUPFERLE FOUNDRY COMPANY. IT IS NOT TO BE USED OR DUPLICATED WITHOUT THE PERMISSION OF THE OWNER.

## LEGEND

(X)	STANDARD TAG
(X/Y)	TAG WITH Y QUANTITY

DRAWN	11/8/2016
SMS	CHECKED
DCL	12/2/2016
MODIFIED	
SMS	6/21/2017
SIZE	C
SCALE	1/4

DWG NO	#TF-300 Cut_Rev0
SHEET	1 OF 1
REV	0

