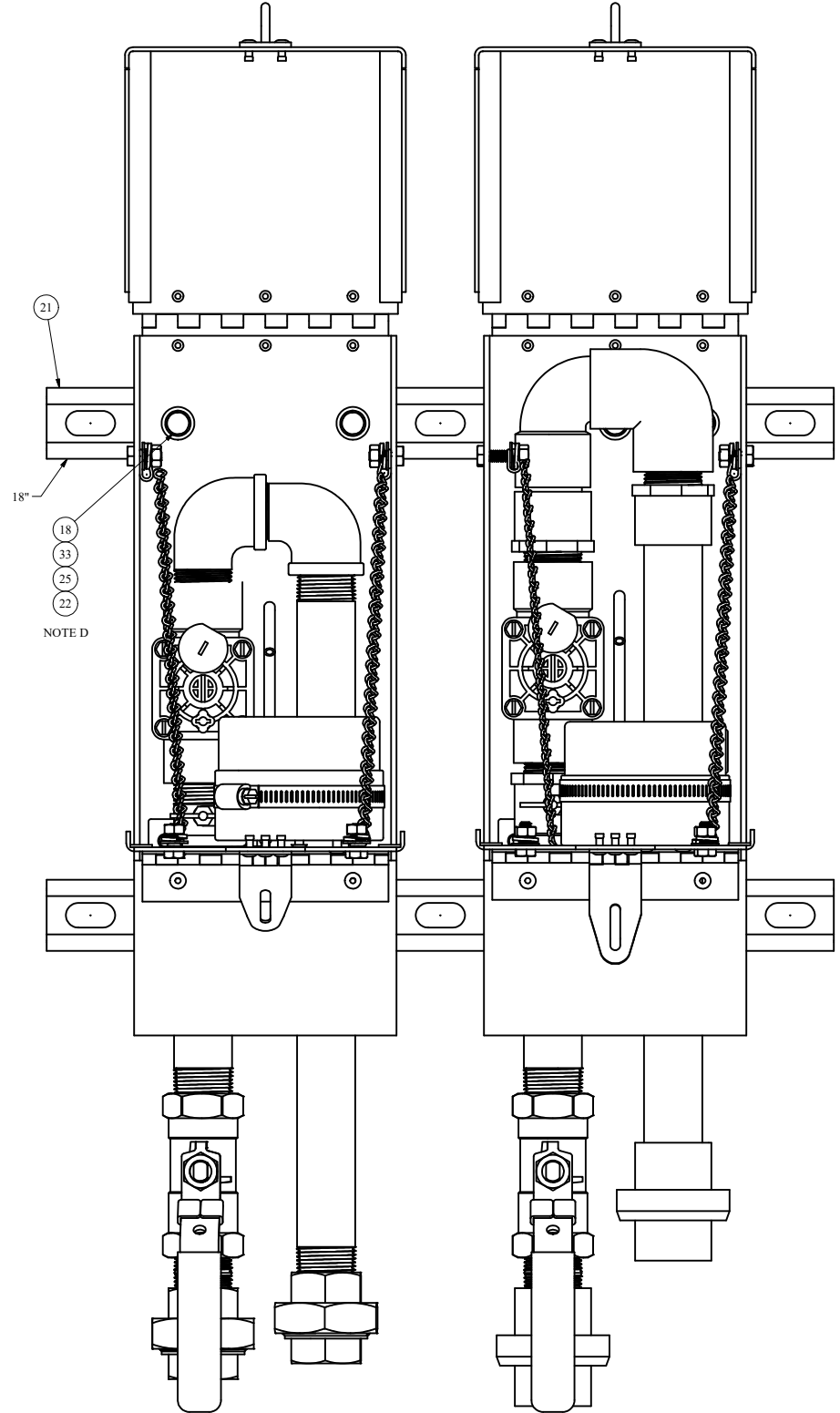


9766-HC CUT SHEET

WITH UNISTRUT OPTION

PARTS LIST

ITEM	QTY	PART NUMBER	DESCRIPTION	NOTES
1	2	190SSL	1" S.S. STREET ELBOW	
2	15.000 in	LALBAR	MOUNTING SPACER	
3	2	1BVSS	1" S.S. BALL VALVE	
4	2	1PVC	1" SCH. 80 PVC PIPE	
5	2	1PVCU	1" SCH. 80 PVC UNION (1" GLUE X FIP)	
6	2	1SSCN	1" S.S. CLOSE NIPPLE	
7	2	1SSP	*Varies*	
8	2	1SSU	1" S.S. UNION	
9	20	345-N-9400	1/4" S.S. NUT	
10	8	66S17	FOAM STRIP	
11	24	66S18	SHORT AL RIVET	
12	6	66S19	3/16" Blind Rivet (Al-Al) - Range 0.251-0.375	
13	8	66S21	HINGE	
14	2	66S23	ENCLOSURE LID	
15	2	66S24	FRONT ACCESS DOOR	
16	2	66S37	PADLOCK HASP	
17	2	66S38	PADLOCK EYE	
18	6	66S41	5/16"-18 x 1" S.S. Hex Head Bolt	
19	8	66S47	1/4-20 x 5/8" S.S. Hex Head Bolt	
20	4	66S51	CHAIN	
21	2	66S88	S.S. UNISTRUT	
22	6	66S89	STRUT CHANNEL NUT	
23	14	66S90	5/32 AL RIVET	
24	2	6ALSQ	ENCLOSURE (ALUMINUM)	
25	6	88-14	5/16" S.S. Flat Washer	
26	14.542 in	88-7	1/4" COPPER TUBING	
27	6	883	1" U-BOLT	
28	20	9419	1/4" S.S. Flat Washer	
29	2	9431	CONTROLLER HOLDER COVER	
30	2	9436	CONTROLLER WASHER	
31	20	9458	1/4" S.S. Lock Washer	
32	8	9464	S.S. "S" HOOK	
33	6	9465	5/16 S.S. Lock Washer	
34	2	9477	S.S. HOSE CLAMP FOR CONTROLLER	
35	2	9517	VALVE CONTROLLER	C
36	2	9520	1" PGV VALVE	
37	1	9800A-02	1" SCH. 80 PVC ELBOW (GLUE x THREAD)	
38	3	9800A-07	1" SCH. 80 PVC ADAPTER (MIP x GLUE)	
39	1	9800A-08	1" SCH. 80 STREET ELBOW (GLUE x GLUE)	
40	2	9824	90° BRASS NEEDLE VALVE	
41	2	HV458200	DC LATCHING SOLENOID	



NOTE	DESCRIPTION
A	NOT SHOWN
C	SOLD AS REPLACEMENT PART
D	BOLT ASSEMBLY USED ON ALL SIMILAR HOLES/BRAKETS

DISCLAIMER
THIS DRAWING IS THE PROPERTY OF THE KUPFERLE
FOUNDARY COMPANY. IT IS NOT TO BE USED OR
DUPLICATED WITHOUT THE PERMISSION OF THE OWNER.

LEGEND

- (X) → STANDARD TAG
- (X/Y) → TAG WITH Y QUANTITY

DRAWN	KJW	8/30/2022
CHECKED	KJW	8/30/2022
MODIFIED	ADC	5/10/2023

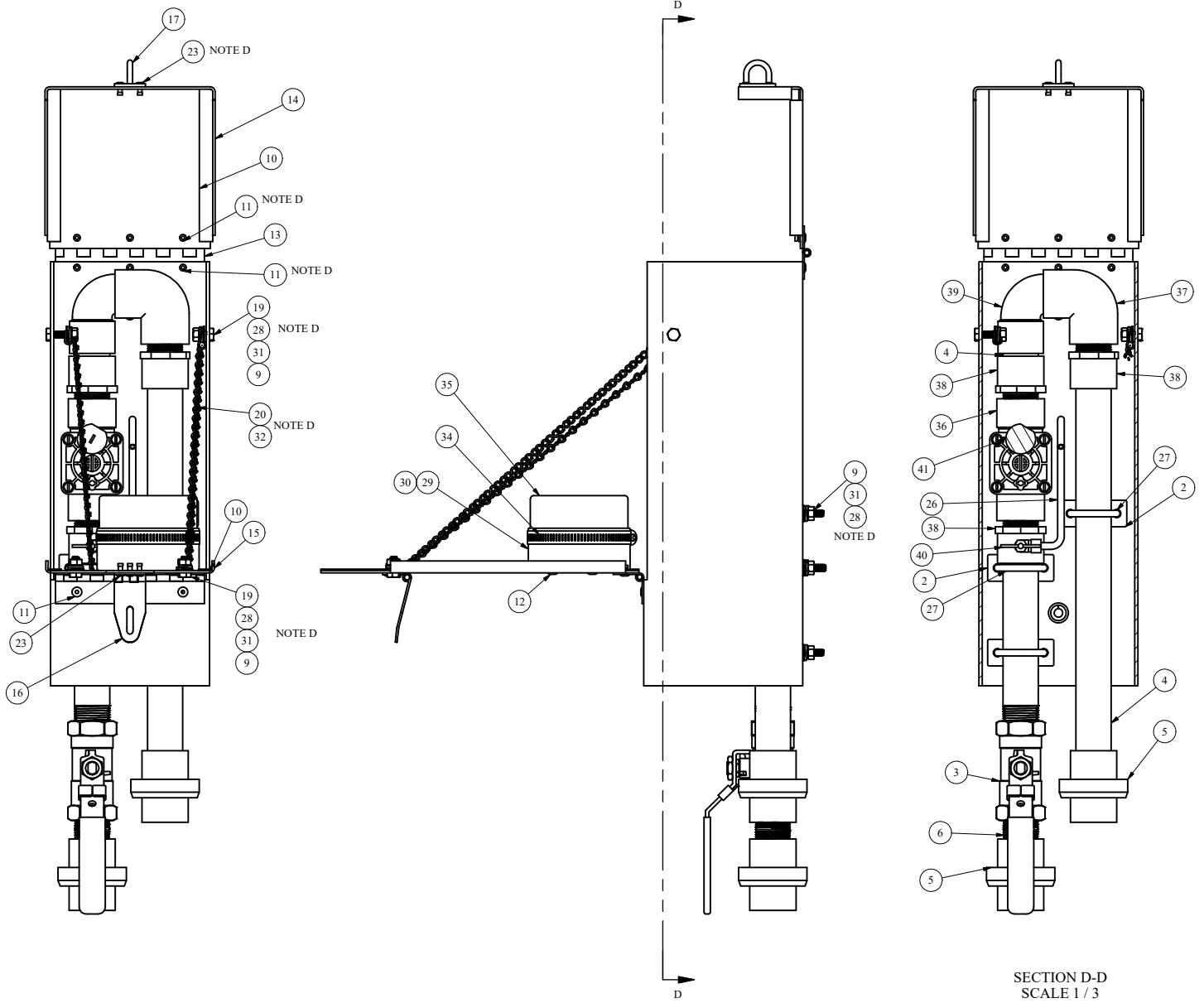
SIZE	C
SCALE	1/2

DWG NO	9766-HC UNISTRUT
--------	------------------




SHEET	1 OF 3
REV	0.1

COLD BOX (RIGHT)

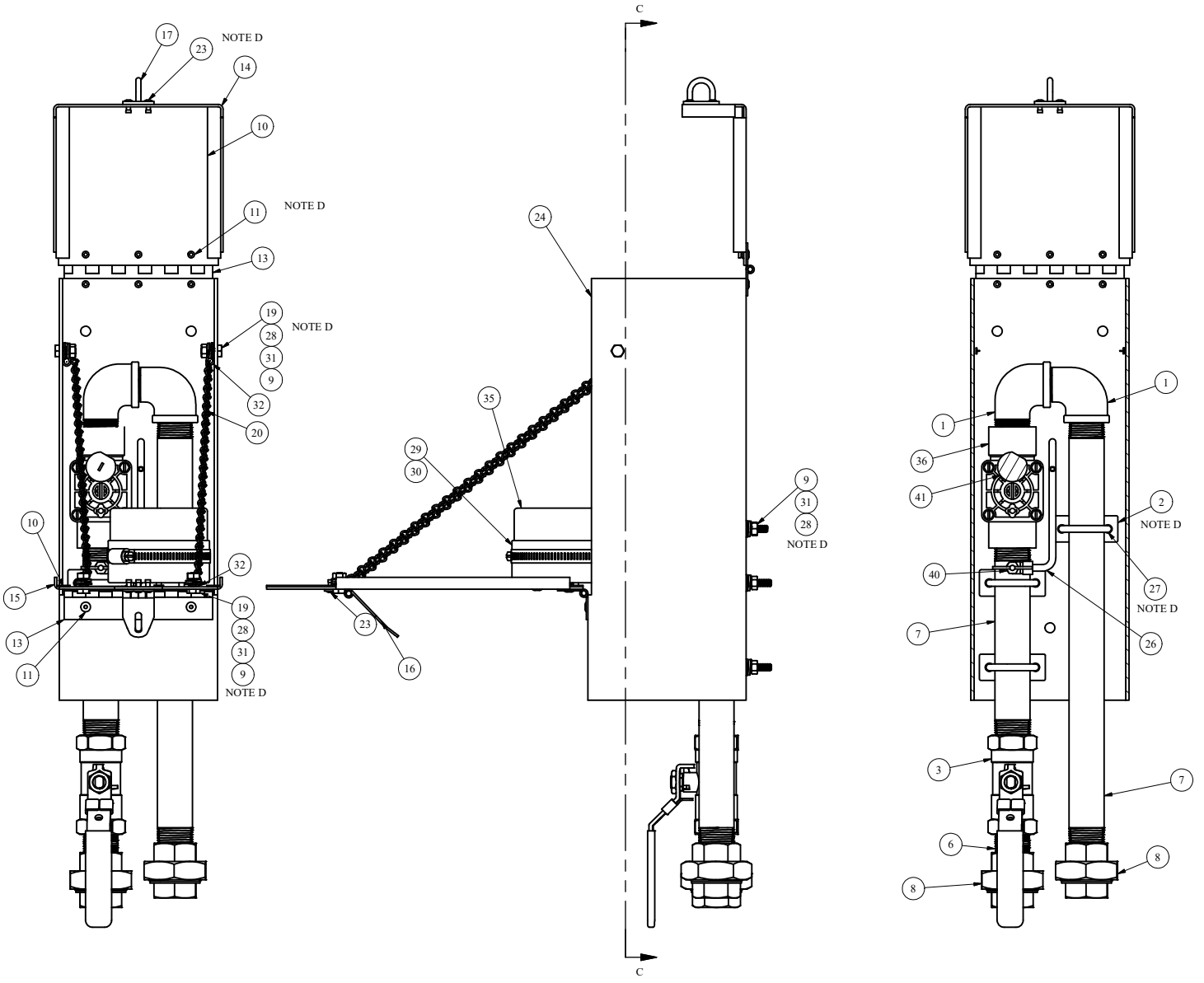


SECTION D-D
SCALE 1 / 3

LEGEND	
(X)	STANDARD TAG
(X/Y)	TAG WITH Y QUANTITY

DRAWN KJW	8/30/2022	 Since 1857 2511 NORTH 9TH ST. ST. LOUIS, MO 63102 1-800-231-3990
CHECKED KJW	8/30/2022	
MODIFIED ADC	5/10/2023	
SIZE C	SCALE 1 / 3	
DWG NO 9766-HC UNISTRUT	SHEET 2 OF 3	REV 0.1

HOT BOX (LEFT)



SECTION C-C
SCALE 1 / 3

LEGEND

- (X) → STANDARD TAG
- (X/Y) → TAG WITH Y QUANTITY

DRAWN	KJW	8/30/2022
CHECKED	KJW	8/30/2022
MODIFIED	ADC	5/10/2023

SIZE	C	SCALE	1 / 3
------	---	-------	-------

DWG NO	9766-HC UNISTRUT	SHEET	3 OF 3	REV	0.1
--------	------------------	-------	--------	-----	-----

KUPFERLE
Since 1857
2511 NORTH 9TH ST.
ST. LOUIS, MO 63102
1-800-231-3990