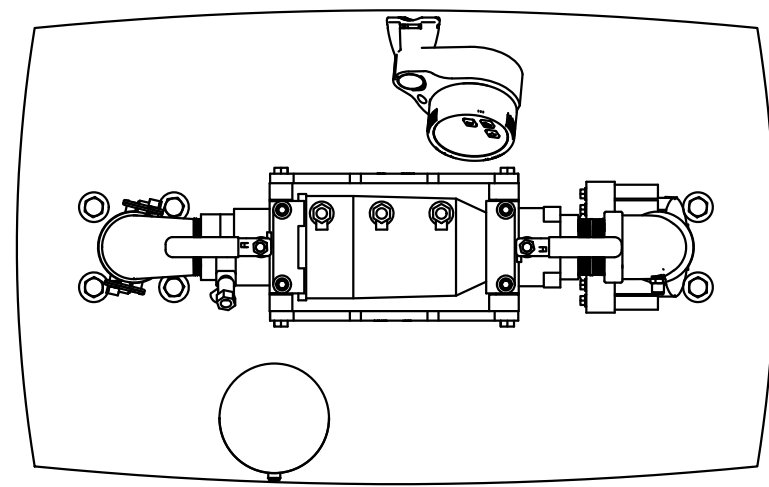


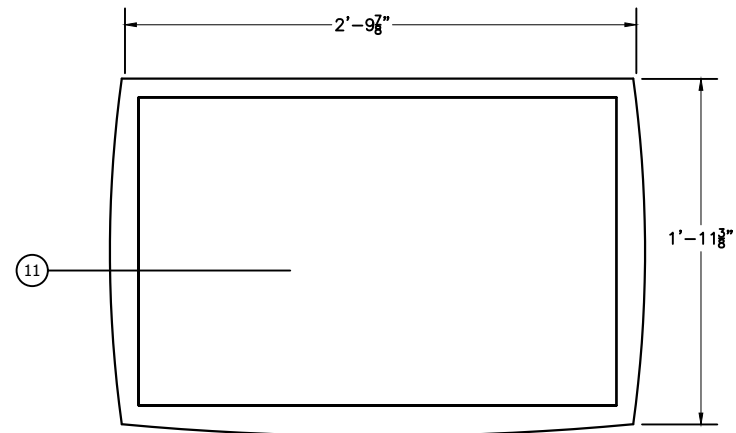
#9800WC-B BELOW GRADE AUTO FLUSHER SPEC SHEET

GENERAL HYDRANT SPECIFICATIONS	
MAXIMUM OPERATING PRESSURE:	175 PSI
INLET MATERIALS:	STAINLESS STEEL
CONTINUOUSLY WETTED MATERIALS:	STAINLESS STEEL, LOW LEAD BRONZE
DEPTH OF BURY:	2'-5"
WEIGHT:	TBD

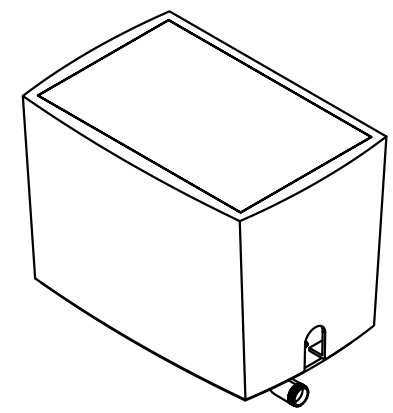
ITEM	DESCRIPTION	NOTES
1	METER BOX	
2	INLET S.S. ELBOW	
3	QUICK DISCONNECTS	
4	DUAL CHECK VALVE	
5	SAMPLE PORT	
6	2" ICV VALVE	
7	DC LATCHING SOLENOID	
8	OUTLET S.S. ELBOW	
9	VALVE CONTROLLER	
10	DECHLORE SYPHON	
11	METER BOX LID	
12	CRUSHED ROCK	
13	EARTH	



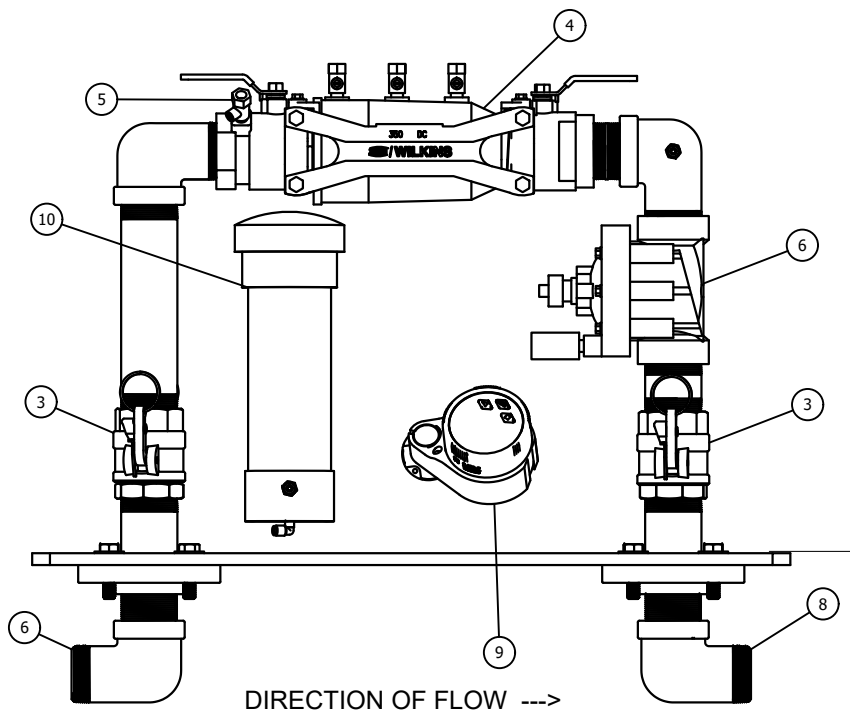
1 TOP VIEW (METER BOX REMOVED)
Scale: 3/4"=1'



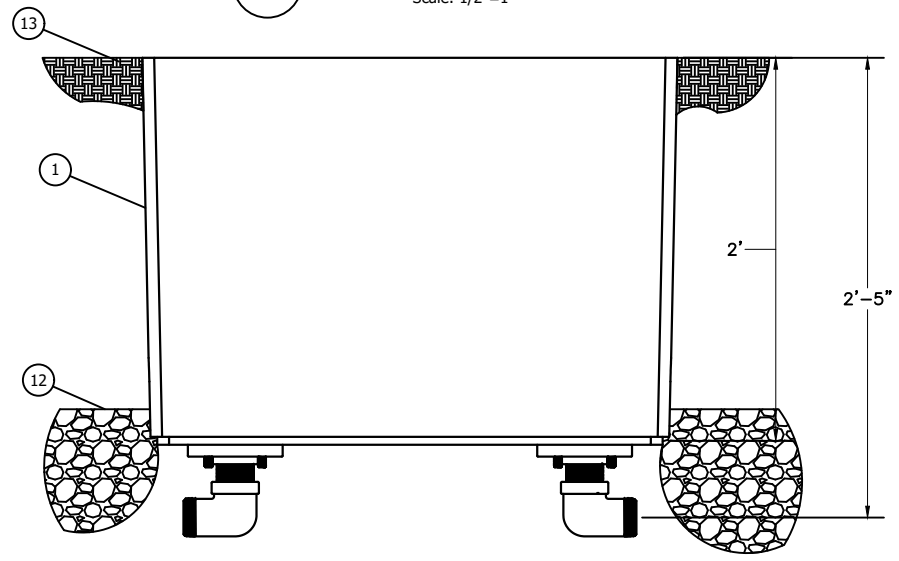
3 TOP VIEW
Scale: 1/2"=1'



5 ISO VIEW
Scale: 3/8"=1'



2 FRONT VIEW (METER BOX REMOVED)
Scale: 3/4"=1'



4 INSTALL VIEW
Scale: 1/2"=1'

Below Grade Automatic Product Ordering Guide						
MODEL#	9800	-	WC	-	B	- A - BT
SUBSECTION	1	2	3	4	5	
SUBSECTION DESCRIPTION	MODEL #	SUBSECTION	OPTIONS	DESCRIPTIONS		
MODEL	1		9800	AUTOMATIC FLUSHING DEVICE		
CLIMATE	2		VC	WARM CLIMATES		
BELOW GRADE	3		B	BELOW GRADE		
DECHLORINATION	4		X	NONE		
			A	SYPHON STYLE		
VALVE CONTROLLER	5		S	STANDARD CONTROLLER		
			BT	BLUETOOTH		

Automatic Flushing Station shall be installed in the following location(s): _____

Below Grade Automatic flushing station shall have a 2" stainless steel MIP inlet will lead vertically through a pair of stainless steel quick disconnects into the double check valve, and then through a 2" automatic flushing valve, through a second pair of quick disconnects to exit the flusher. The double check valve shall be used to protect against backflow of water through the flusher, and shall have a 175 psi rating. The flushing valve shall control the flow of water through the flusher and its diaphragm with the extension and retraction of a DC latching solenoid and have a 220 PSI rating. Each unit shall be furnished with a stand-alone valve controller. The valve controller will not require a second hand-held device for programming. Controller must have minimum of 12 possible flushing cycles per day. Controller shall be submersible to 12 feet, operate with a 9 volt battery, and have resin-sealed electrical components. An optional bluetooth controller may be use for controlling of the valve. The bluetooth controller requires the use of a smart phone/tablet to program and operate the controller. The solenoid shall have no loose parts when removed from the valve. The removal of the 2" valve shall be possible via a pair of stainless steel quick disconnects to allow for easy removal of the operating parts of the hydrant. Each unit shall have a dedicated sampling point on the flusher located prior to the 2" flushing valve. Unit shall allow for the installation of a syphon dechlorination option. Valve assembly shall be housed in a polymer meter box with removable cover.

Unit model # shall be 9800WC-B as manufactured by Kupferle Foundry Company, St. Louis MO (1-800-231-3990), or approved equal.

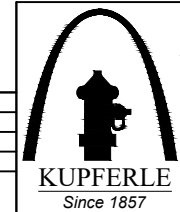
NOTES	
A	PIPING BY OTHERS
B	FLUSH LINE BEFORE INSTALLATION OF THE HYDRANT
C	GROUND LINE MAY VARY
D	IN CORROSIVE SOLIDS THE BURIED PIPE SHOULD BE PREPPED FOR ADDITIONAL RESISTANCE TO CORROSION. KUPFERLE RECOMMENDS SPRAYING ALL UNDERGROUND PIPING AND FITTINGS WITH BITUMINOUS SPRAY TAR, ALLOWING PROPER TIME TO DRY AND WRAPPING THE PARTS.

DATE	STATUS / REVISION
03/05/2021	INITIAL RELEASE

#9800WC-B SPEC SHEET

	INITIALS	DATE
DRAWN	KJW	XXX
APPROVED	XXX	XXX
MODIFIED		

SHEET SIZE B (11x17)
SCALE VARIES



2511 NORTH 9TH STREET
ST. LOUIS, MO 63102
1-800-231-3990
FAX 314-231-2820
www.hydrants.com