

# #66 CUT SHEET

## PARTS LIST

ITEM	QTY	PART NUMBER	DESCRIPTION	NOTES
1	6.29	1/2SSP	1/2" S.S. PIPE	B,C
2	0.42	1ALB1	SHELF ALUMINUM SPACER (THIN)	
3	0.42	1ALB2	SHELF ALUMINUM SPACER (THICK)	
4	6.52	3/8SSR	3/8" S.S. OPERATING ROD	B,C
5	2	345-N	S.S. NUT FOR U-BOLT	
6	0.2	4 ALUM ANGLE	MOUNTING BRACKET	
7	1	66S01	PETCOCK BODY	
8	1	66S02	PETCOCK NUT	
9	1	66S03	PETCOCK PLUNGER	
10	1	66S04	HANDLE PIN	
11	1	66S05	PETCOCK NOZZLE	
12	1	66S07	O-RING (PACKING NUT)	
13	1	66S08	O-RING (PETCOCK PACKING NUT)	
14	1	66S09	O-RING (STEM)	
15	1	66S10	O-RING (PETCOCK STEM)	
16	1	66S12	NOZZLE	C,Q
17	1	66S14	HANDLE/KNOB PIN	C
18	1	66S15	PACKING NUT	
19	1	66S16	HEADSTOCK TOP NUT	
20	3	66S17	RUBBER TRIM	
21	16	66S18	STANDARD RIVET	
22	4	66S19	MOUNTING BRACKET RIVET	
23	1	66S20	S.S. U-BOLTS FOR 1/2" PIPE	
24	0.94	66S21	HINGE	
25	1	66S22	PETCOCK CAP	
26	1	66S23	ENCLOSURE LID	R
27	1	66S24	ENCLOSURE DOOR	R
28	1	66S25	VALVE (COLD CLIMATE)	C
29	1	66S26	PLUNGER (COLD CLIMATE)	
30	1	66S27	SEAT RUBBER	C
31	1	66S28	PLUNGER SCREW	C
32	2	66S30	SPRING PIN	
33	1	66S31	HEADSTOCK (COLD CLIMATE)	
34	1	66S32	STEM (COLD CLIMATE)	
35	1	66S33	S.S. ADAPTER (1/4" COMP. x 1/8" FIP)	C
36	1	66S34	S.S. HOSE CLAMP	
37	1	66S35	NOZZLE CAP	
38	1	66S37	PADLOCK HASP	
39	1	66S38	PADLOCK EYE	
40	1	66S42	KNOB	C
41	3	66S63	ENCLOSURE SHELF RIVET	
42	4	6ALSQ	6" ALUMINUM ENCLOSURE	R
43	6	88-7-SS	1/4" S.S. TUBING	B,C
44	1	88-8-SS	1/4" COMP. x 1/8" MIP S.S. 90° ELBOW	C
45	2	9458	S.S. LOCKWASHER FOR U-BOLT	

## OPTIONAL PARTS LIST

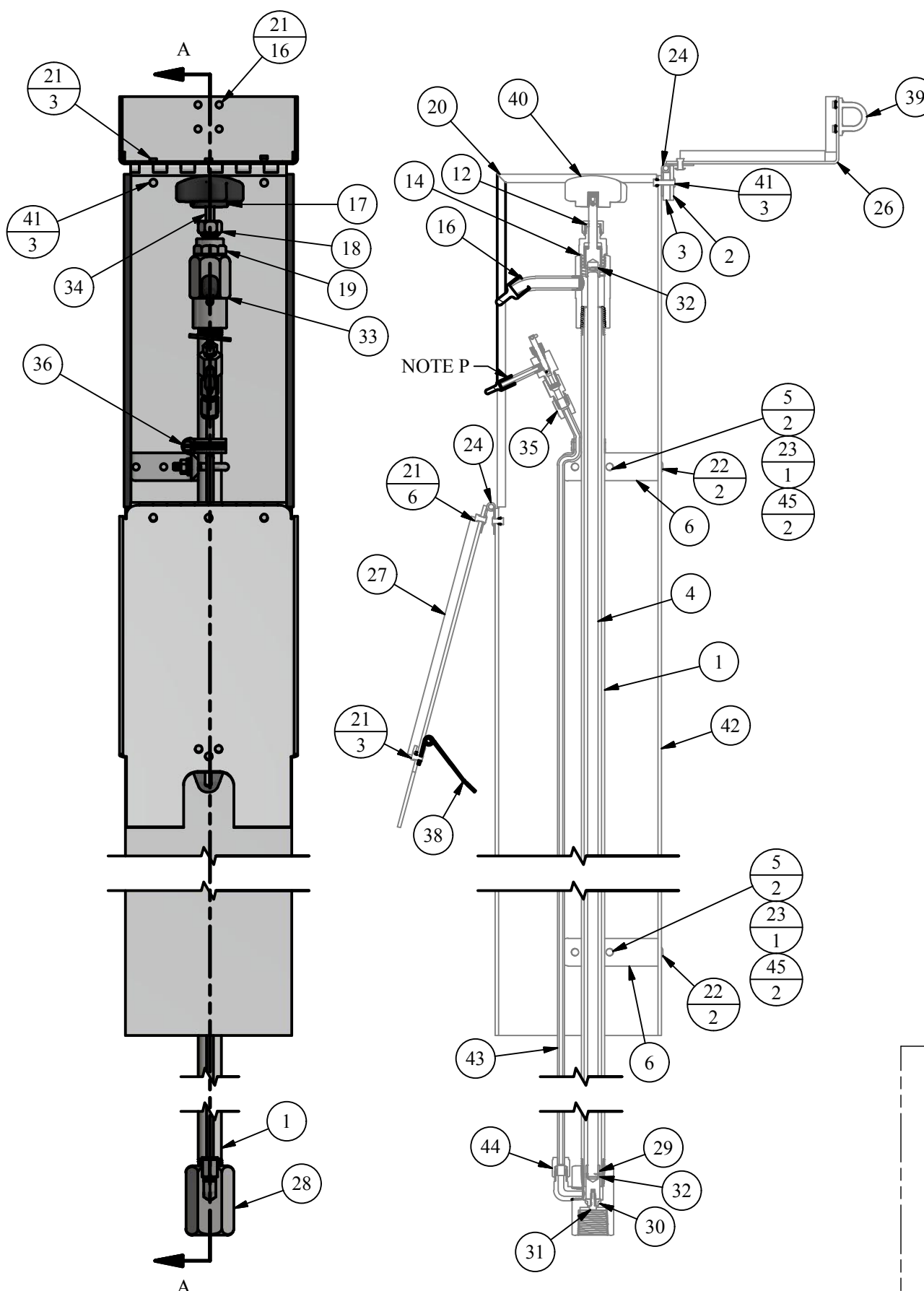
46	0	1 1/2AA	FLANGE FEET (3 RIVETS PER FOOT)	A,R
----	---	---------	---------------------------------	-----

## REPAIR KITS

PART NUMBER	DESCRIPTION	PARTS INCLUDED
X66-CC SCREW	COLD CLIMATE TOP SCREW ASSEMBLY	66S42 KNOB (1), 66S14 ROD PIN (1), 66S32 STEM (1), 66S15 PACKING NUT (1), 66S07 NUT O-RING (1), 66S16 TOP NUT (1), 66S09 STEM O-RING (1)
X66-CCHEADSTOCK	HEADSTOCK ASSEMBLY COMPLETE	66S31 HEADSTOCK (1), 66S12 NOZZLE (1), 66S35 CAP (1)
X66-DOOR	#66 ENCLOSURE DOOR COMPLETE	66S24 DOOR (1), 66S37 HASP (1), 66S18 HINGE RIVET (3)
X66-HOUSING	#66 ENCLOSURE COMPLETE (NOTE R)	66S23 LID (1), 66S37 HASP (1), 66S24 DOOR (1), 66S38 PADLOCK EYE (1), 66S21 HINGE (0.94 FEET), 66S18 SHORT RIVET (16), 4 ALUM ANGLE (0.2 FEET), 66S19 LONG RIVET (4), 66S17 TRIM (3 FEET), 6ALSQ ENCLOSURE (4 FEET), 1ALB1 SPACER (THIN) (0.42 FEET), 1ALB2 SPACER (THICK) (0.42 FEET), 66S63 SHELF RIVET (3)
X66-LID	#66 ENCLOSURE LID COMPLETE	66S23 LID (1), 66S38 PADLOCK EYE (1), 66S18 HINGE RIVET (4)
X66-PETCOCK	STAINLESS STEEL PETCOCK ASSEMBLY	66S01 BODY (1), 66S08 NUT O-RING (1), 66S02 NUT (1), 66S03 PLUNGER (1), 66S10 PLUNGER O-RING (1), 66S04 ROD PIN (1), 66S05 NOZZLE (1), 66S22 CAP (1)
X66-PLUNGER	#66 PLUNGER ASSEMBLY	66S26 PLUNGER (1), 66S27 SEAT RUBBER (1), 66S28 PLUNGER SCREW (1)
X66RK	66 REPAIR KIT	66S27 SEAT RUBBER (1), 66S28 SCREW (1)

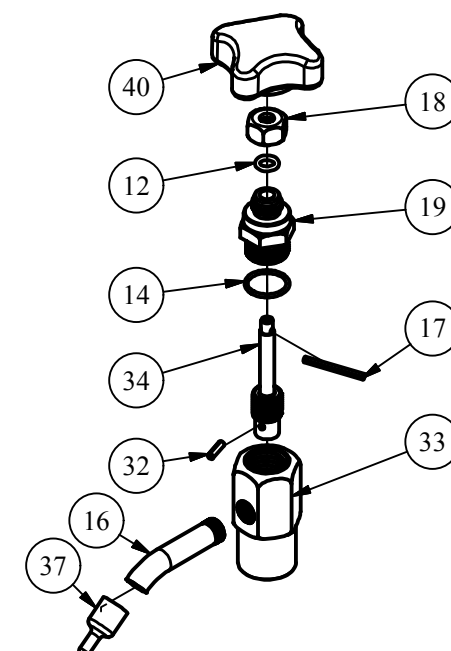
## OPTIONAL REPAIR KITS

X66-HOUSING-BF	ENLOCUSRE w/ BOLTED FLANGE COMPLETE (NOTE R)	66S23 LID (1), 66S37 HASP (1), 66S24 DOOR (1), 66S38 PADLOCK EYE (1), 66S21 HINGE (0.94 FEET), 66S18 SHORT RIVET (16), 4 ALUM ANGLE (0.2 FEET), 66S19 LONG RIVET (4), 66S17 TRIM (3 FEET), 6ALSQ ENCLOSURE (4 FEET), 1 1/2AA BOLTED FEET (2 FEET), 1ALB1 SPACER (THIN) (0.42 FEET), 1ALB2 SPACER(THICK) (0.42 FEET), 66S63 SHELF RIVET (3)
----------------	--	--

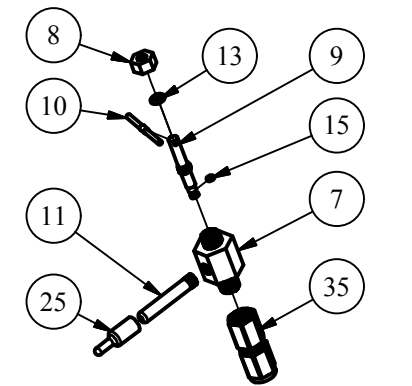


SECTION A-A  
CENTER SECTION VIEW

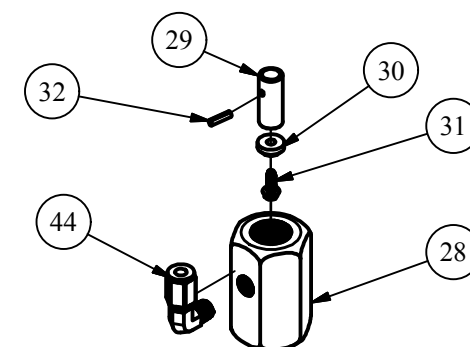
## HEADSTOCK ASSEMBLY



## PETCOCK ASSEMBLY



## INLET ASSEMBLY



NOTE	DESCRIPTION
A	NOT SHOWN
B	PIPE LENGTH DEPENDENT ON DEPTH OF BURY
C	SOLD AS REPLACEMENT PART
P	SEE PETCOCK ASSEMBLY FOR PARTS INFORMATION
Q	REPLACEMENT NOZZLE REQUIRES BENDING IN THE FIELD AFTER INSTALLATION
R	POWDER COATING OPTIONS AVAILABLE

**DISCLAIMER**  
THIS DRAWING IS THE PROPERTY OF THE KUPFERLE  
FOUNDRY COMPANY. IT IS NOT TO BE USED OR  
DUPLICATED WITHOUT THE PERMISSION OF THE OWNER.

## LEGEND

(X)	STANDARD TAG
(X/Y)	TAG WITH Y QUANTITY

DRAWN	10/6/2017
SMS	
CHECKED	
DCL	11/27/2017
MODIFIED	
SIZE	SCALE
C	1 / 5
DWG NO	#66 Cut_Rev0



SHEET	REV
1 OF 1	0