

NEW



# MainGuard #66MB Sampling Station

- Designed for interior wall mounted applications
- All surgical stainless steel water way and parts
- Lockable brushed-finish aluminum enclosure
- Drawbridge door design for bottle placement
- Blow-Off 7/16" compression-type valve
- Vinyl outlet cap to keep waterway clean
- Drains into 1" PVC pipe to sink or sewer outlet
- Maintenance parts readily available
- Easy to install (see spec sheet on back)
- Option:
  - Powder-Coated paint



Comfort Handle  
Provides Throttling  
For Non-aerated  
Continuous Stream To  
Obtain Quality Samples



Lockable Enclosure  
Ensures Clean  
Sampling Point



2511 North 9<sup>th</sup> Street  
St. Louis, MO 63102

800-231-3990

[www.hydrants.com](http://www.hydrants.com)

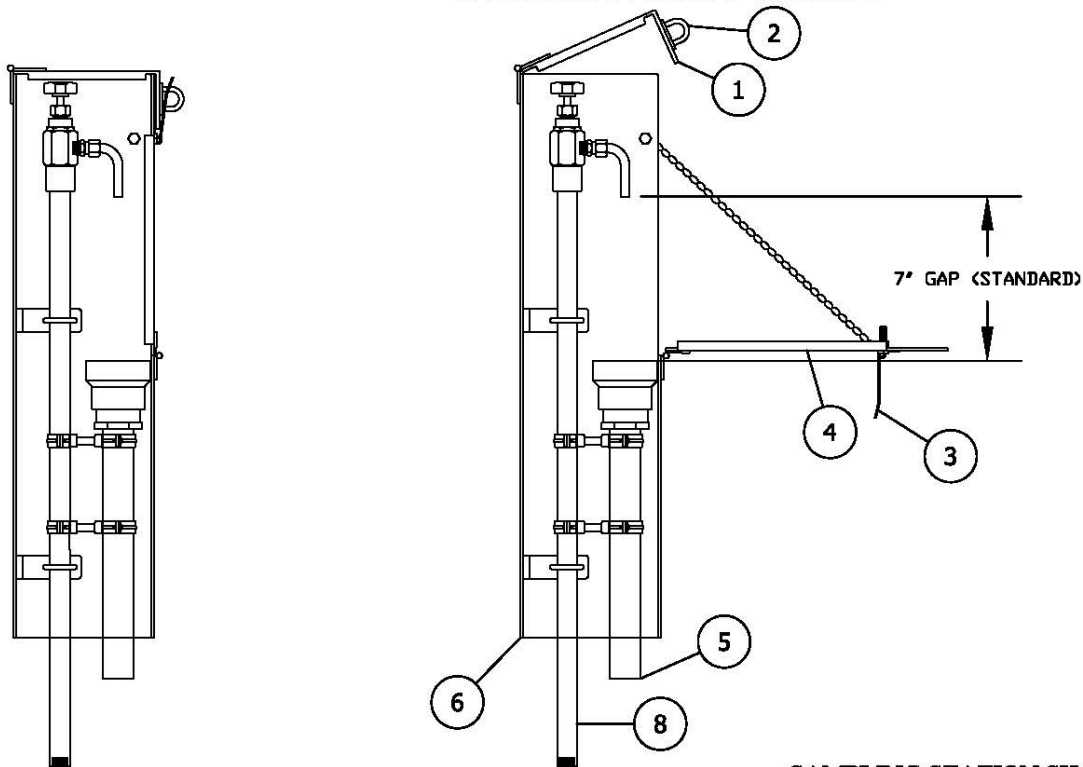
[info@hydrants.com](mailto:info@hydrants.com)

**MAINGUARD**<sup>TM</sup>



Distributed by:

# #66MB WALL MOUNT SAMPLING STATION SPEC SHEET

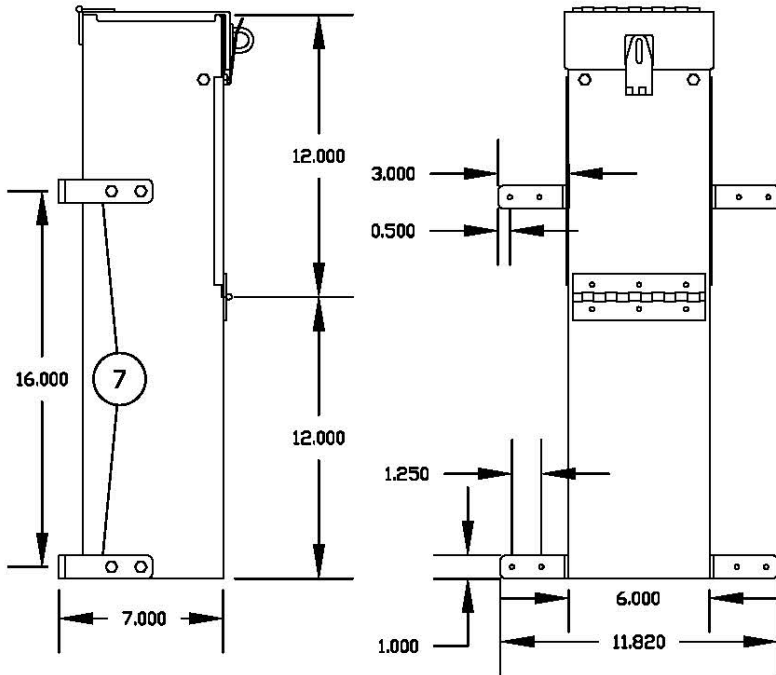


SAMPLING STATION SHALL BE ENCLOSED IN A LOCKABLE, NON-REMOVABLE 6" SQUARE ALUMINUM BOX WITH HINGED OPENINGS.

STATION SHALL BE WALL-MOUNTED, AND USE A 1/2" STAINLESS STEEL WATERWAY, WITH A 1/2" MIP INLET, AND DRAIN INTO A 1" SCH. 40 PVC DRAIN PIPE.

WHEN OPEN, THE STATION REQUIRE NO KEY FOR OPERATION, AND ALL WATER FLOW SHALL PASS THRU AN ALL STAINLESS STEEL WATERWAY. ALSO, WHEN OPEN THE STATION SHALL ALSO UTILIZE CHAINS ATTACHED TO FRONT DOOR AND INSIDE WALLS OF ENCLOSURE TO CREATE A FLIP-DOWN TABLE .

THE STATION SHALL BE MODEL #66MB AS MANUFACTURED BY THE KUPFERLE FOUNDRY, ST. LOUIS MO. 63102 OR APPROVED EQUAL.



#66MB SAMPLING STATION TO BE INSTALLED AT THE FOLLOWING LOCATIONS:

\_\_\_\_\_

\_\_\_\_\_

\_\_\_\_\_

ITEM	ITEM / DESCRIPTION	NOTES
1	TOP ACCESS DOOR	
2	PADLOCK EYE	
3	PADLOCK HASP	
4	FRONT ACCESS DOOR	
5	1" SCH. 40 PVC DRAIN PIPE	
6	6" ALUMINUM SQUARE BOX	
7	WALL MOUNT BRACKETS	
8	1/2" S.S. WATERWAY	

DRAWN  
AKL  
APPROVED  
DCL  
DATE  
6/21/13  
SCALE  
1-1/2"=1'

Since 1857

**KUPFERLE FOUNDRY COMPANY**

2511 NORTH 9TH STREET, ST. LOUIS, MO 63102  
314-231-8738 800-231-3990 FAX 314-231-2820  
<http://www.hydrants.com>

THIS DRAWING IS THE PROPERTY OF THE KUPFERLE FOUNDRY COMPANY. IT IS NOT TO BE USED OR DUPLICATED WITHOUT PERMISSION OF THE OWNER.	
DD/MM/YY	ISSUED FOR REFERENCE
DATE	STATUS / REVISION
	#66MB SAMPLING STATION
	SHEET 1 OF 1