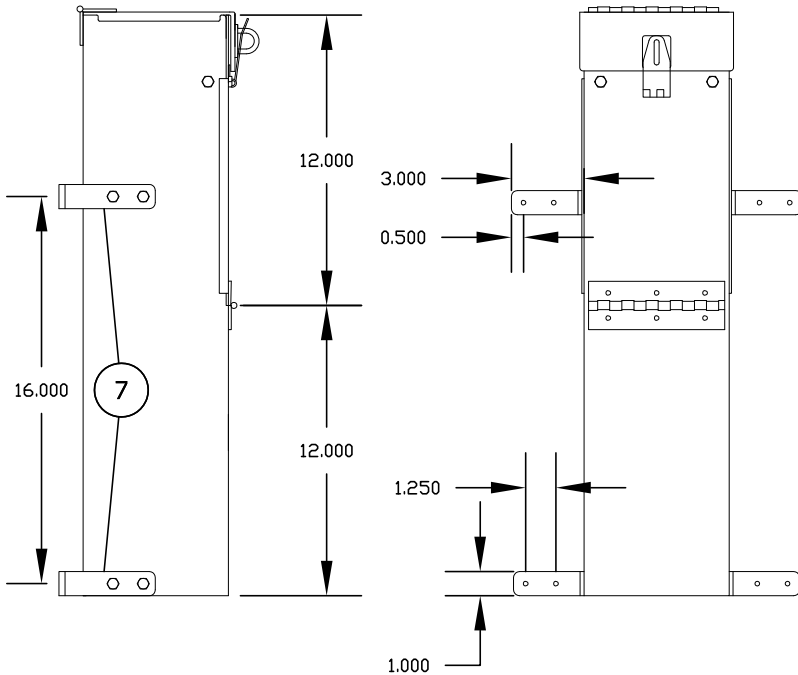
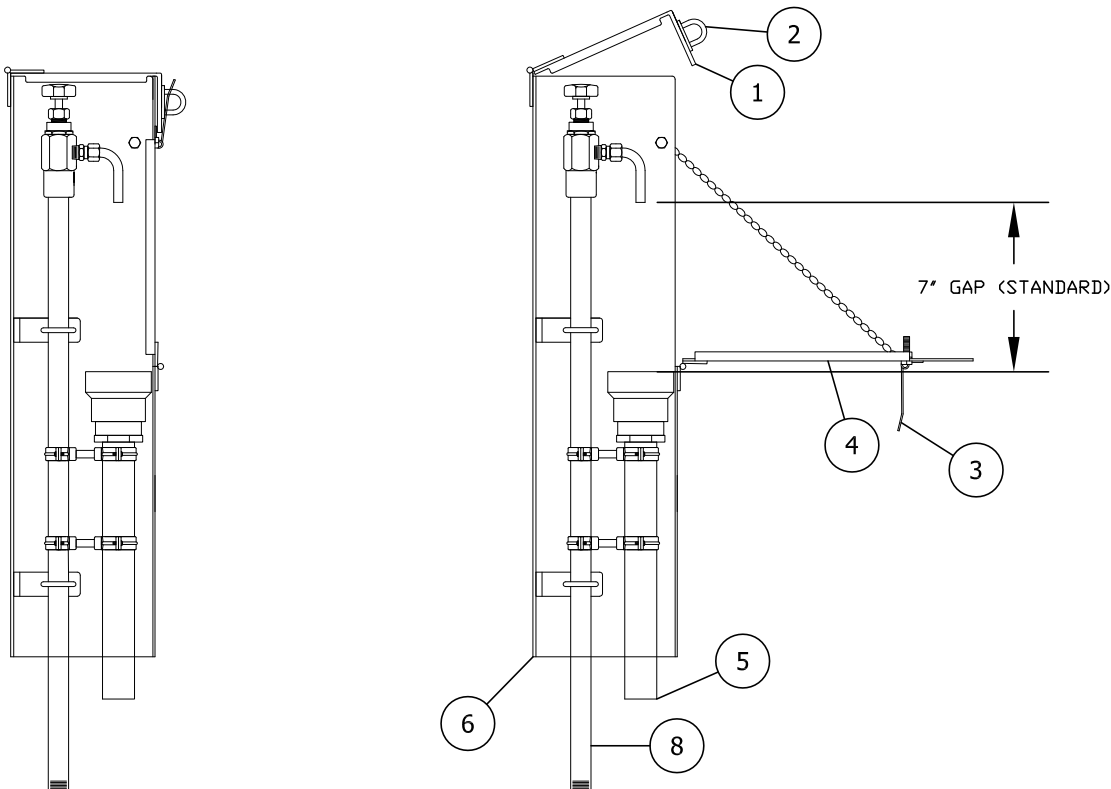


#66MB SAMPLING STATION SPEC SHEET



#66MB SAMPLING STATION SHALL BE ENCLOSED IN A LOCKABLE, NON-REMOVABLE 6" SQUARE ALUMINUM BOX WITH HINGED OPENINGS. SAMPLING STATION SHALL BE WALL-MOUNTED, AND USE A 1/2" STAINLESS STEEL WATERWAY AND DRAIN INTO A 1" SCH. 40 PVC DRAIN PIPE. SAMPLING STATION SHALL ALSO UTILIZE CHAINS ATTACHED TO FRONT DOOR AND INSIDE WALLS OF ENCLOSURE TO CREATE A FLIP-DOWN TABLE WHEN ENCLOSURE IS OPENED. ALL WORKING PARTS SHALL BE OF STAINLESS STEEL.

#66MB SAMPLING STATION TO BE INSTALLED AT THE FOLLOWING LOCATIONS:

ITEM	ITEM / DESCRIPTION	NOTES
1	TOP ACCESS DOOR	
2	PADLOCK EYE	
3	PADLOCK HASP	
4	FRONT ACCESS DOOR	
5	1" SCH. 40 PVC DRAIN PIPE	
6	6" ALUMINUM SQUARE BOX	
7	WALL MOUNT BRACKETS	
8	1/2" S.S. WATERWAY	

DRAWN
AKL
APPROVED
DCL

DATE
6/21/13
SCALE
1-1/2"=1'

Since 1857

KUPFERLE FOUNDRY COMPANY

2511 NORTH 9TH STREET, ST. LOUIS, MO 63102
314-231-8738 800-231-3990 FAX 314-231-2820
<http://www.hydrants.com>

DD/MM/YY	ISSUED FOR REFERENCE	THIS DRAWING IS THE PROPERTY OF THE KUPFERLE FOUNDRY COMPANY. IT IS NOT TO BE USED OR DUPLICATED WITHOUT PERMISSION OF THE OWNER.
DATE	STATUS / REVISION	#66 WALL MOUNT SAMPLING STATION