



# MainGuard #66WC Sampling Station

- Designed for non-freezing/warm climates
- All surgical stainless steel water way
- Solid aluminum lockable secure enclosure
- Covering lid and side shields for protection of water sample
- 7/16" globe valve blow-off
- 1/8" globe valve sampling bibb
- Vinyl outlet caps keep out contaminants
- Comfort handle for easy operation
- Maintainable from above ground – no digging!
- Easy to install (see spec sheet on back)
- Options:
  - Bolted ground line flange
  - Powder-Coated paint



Protective Outlet Caps



Lockable Enclosure



High Blow-Off Capacity



Protective Lid Cover



Powder-Coated Option



Bolted Flange Option

2511 North 9<sup>th</sup> Street  
St. Louis, MO 63102

**800-231-3990**

[www.hydrants.com](http://www.hydrants.com)

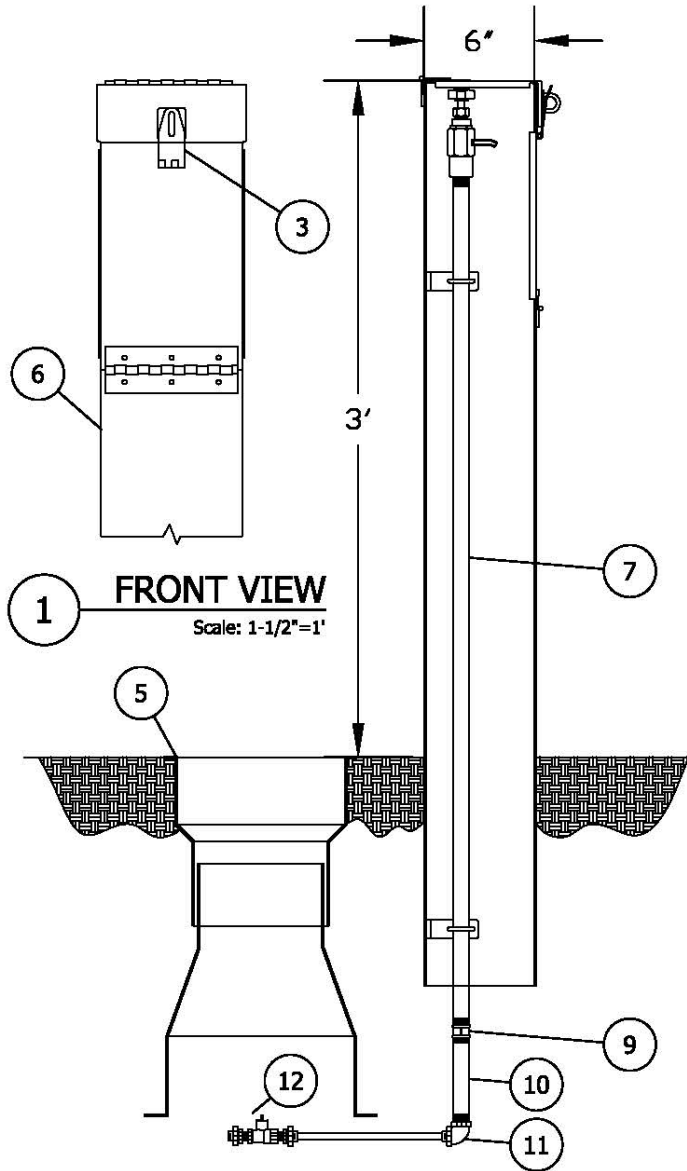
[info@hydrants.com](mailto:info@hydrants.com)

**MAINGUARD™**

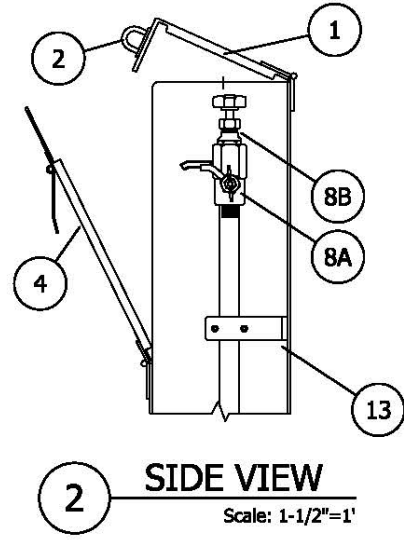


Distributed by:

# #66WC SAMPLING STATION SPEC SHEET



**1 FRONT VIEW**  
Scale: 1-1/2"=1'



**2 SIDE VIEW**  
Scale: 1-1/2"=1'

#66WC SAMPLING STATION TO BE INSTALLED AT THE FOLLOWING LOCATIONS:

\_\_\_\_\_

\_\_\_\_\_

\_\_\_\_\_

**NOTES:**

IN SOME CONDITIONS CORROSION OF STAINLESS STEEL CAN OCCUR (EXPOSURE TO SALT WATER, DIRECT EXPOSURE TO STRONG CHLORIDES, ETC.). PROPER MAINTENANCE OF THE EXPOSED STAINLESS STEEL PARTS USING PROPER STAINLESS STEEL CLEANING AGENTS WILL INCREASE THE LIFESPAN OF THE HYDRANT. IF DESIRED, KUPFERLE CAN ALSO OFFER AN ADDITIONAL PASSIVATION PROCESS FOR ADDITIONAL CORROSION PROTECTION.

#66WC SAMPLING STATION SHALL BE 1' BURY WITH A 1/2" MIP INLET AND A 7/16" UNTHREADED BLOW OFF. ALL STATIONS SHALL BE ENCLOSED IN A LOCKABLE, NON-REMOVABLE 6" SQUARE ALUMINUM HOUSING. ALL OPENINGS SHALL BE HINGED. STATION SHALL REQUIRE NO KEY FOR OPERATION. AN OPERATING VALVE SHALL CONTROL THE FLOW OF WATER THRU THE 7/16" OUTLET, WITH 6 ROTATIONS OF THE HANDLE BEING FULLY OPEN. ALL WATER FLOW SHALL PASS THRU AN ALL STAINLESS STEEL WATERWAY. ALL WORKING PARTS SHALL BE OF STAINLESS STEEL AND SERVICEABLE ABOVE GROUND WITH NO DIGGING OR REPLACEMENT NEEDED.

ITEM	ITEM / DESCRIPTION	NOTES	OPTIONAL
1	TOP ACCESS DOOR		
2	PADLOCK EYE		
3	PADLOCK HASP		
4	FRONT ACCESS DOOR		
5	VALVE BOX	BY OTHERS	
6	6" ALUMINUM SQUARE BOX		
7	1/2" S.S. WATERWAY		
8A	SAMPLING BIBB		
8B	OPERATING VALVE		
9	1/2" S.S. COUPLING	BY OTHERS	X
10	1/2" S.S. NIPPLE	BY OTHERS	X
11	1/2" S.S. ELBOW	BY OTHERS	X
12	HYDRANT SHUT-OFF VALVE	BY OTHERS	X
13	MOUNTING BRACKET		
14	OPERATING VALVE		

DD/MM/YY	ISSUED FOR REFERENCE
DATE	STATUS / REVISION

#66WC

SHEET 1 OF 1

DRAWN  
BAM  
APPROVED  
DCL  
DATE  
3/13/14  
SCALE  
1.2"=1'



2511 NORTH 9TH STREET  
ST. LOUIS, MO 63102  
1-800-231-3990  
FAX 314-231-2820  
www.hydrants.com