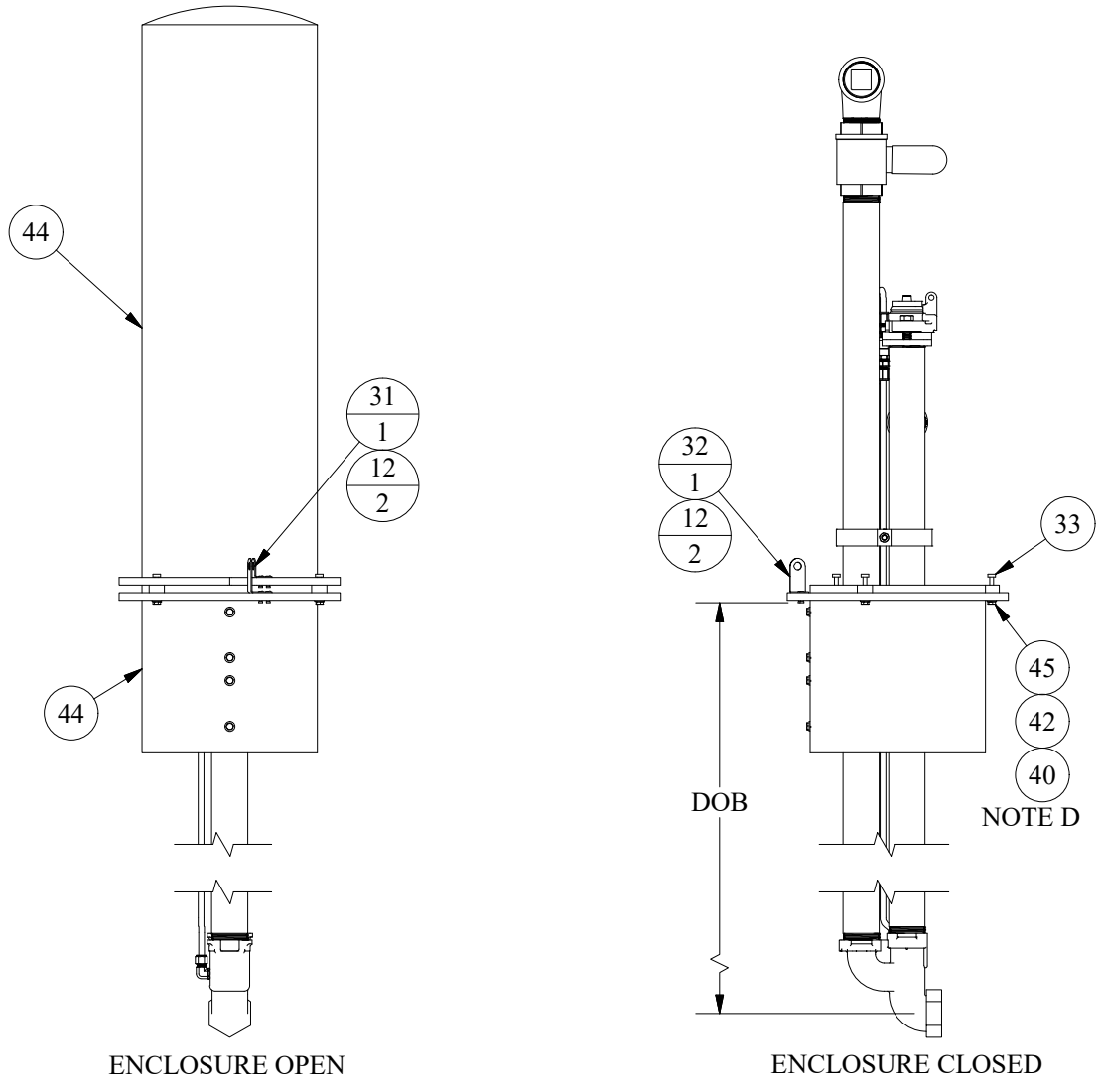
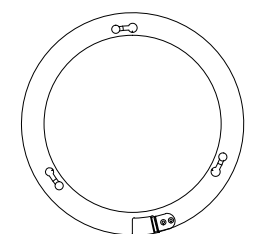
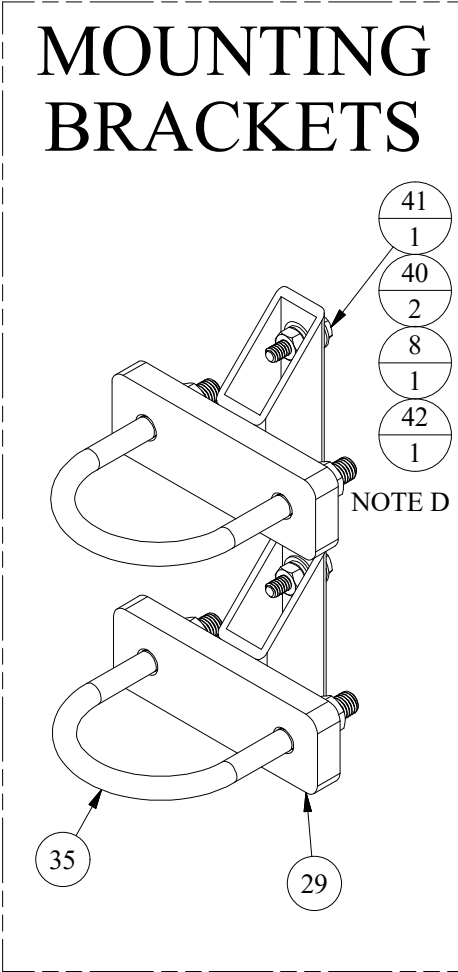
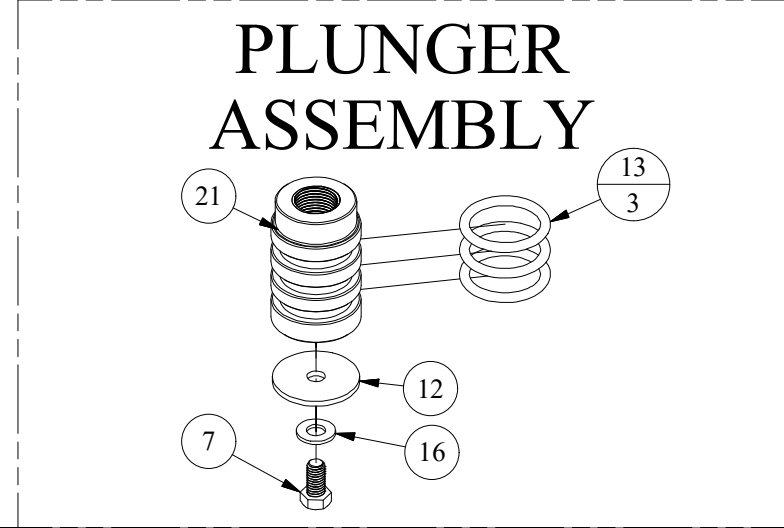
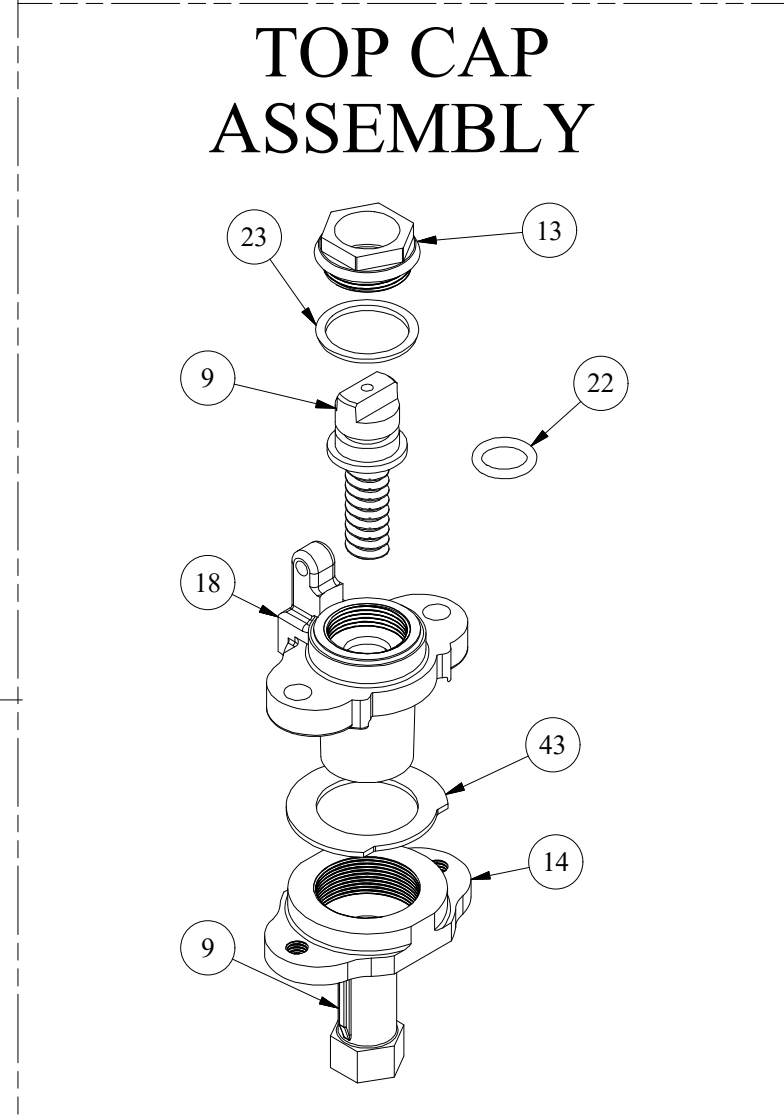
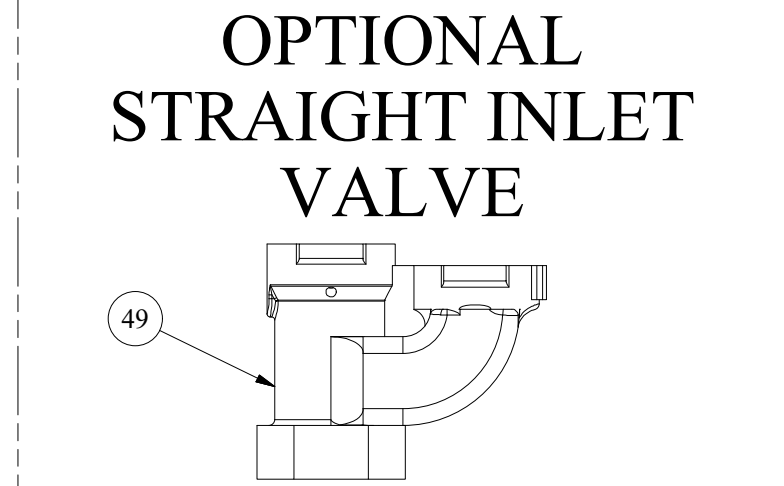
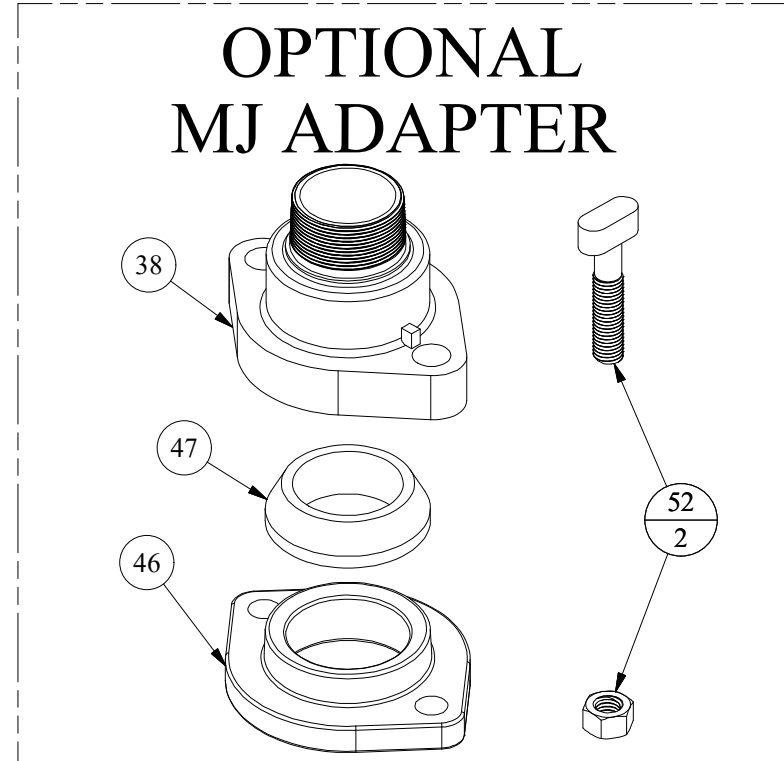
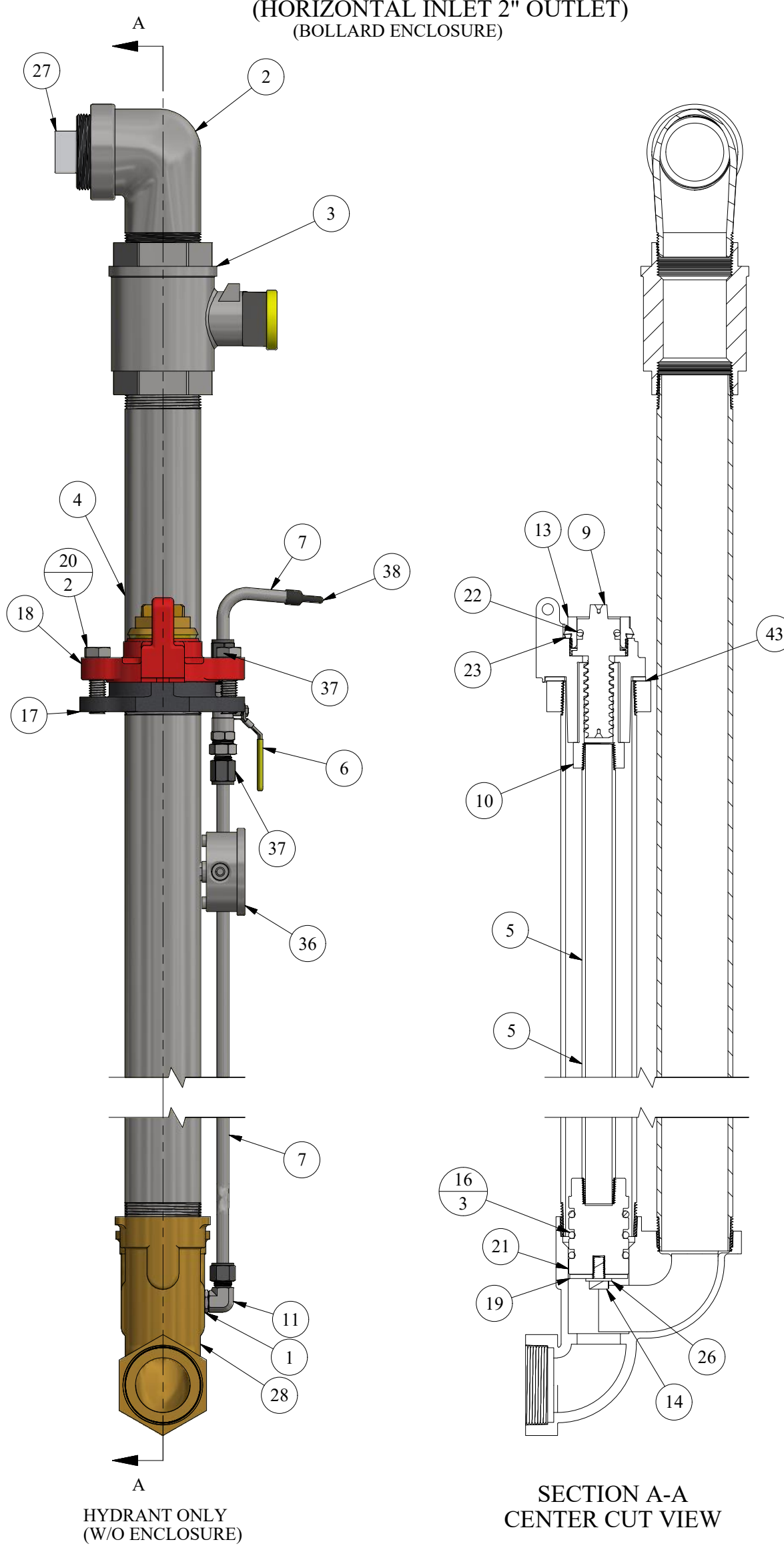


PARTS LIST				
ITEM	QTY	PART NUMBER	DESCRIPTION	NOTES
1	1	1/4 X 1/8SHB	1/4" x 1/8" S.S. HEX BUSHING	
2	1	290SSL	2" S.S. STREET ELBOW	
3	1	2SSBV	2" S.S. BALL VALVE	
4	108.000 in	2SSP	2" S.S. PIPE	C
5	46.000 in	314SSP	3/4" STAINLESS STEEL PIPE	C
6	1	3/8SBV	3/8" S.S. BALL VALVE	
7	2	3/8ST	3/8" S.S. TUBING	
8	4	345-N	S.S. HEX NUT FOR BRACKET	
9	1	4B	SLOTTED TOP SCREW	C
10	1	510	CONNECTING NUT	C
11	1	66S39	3/8" COMP. x 1/8" MIP S.S. ELBOW	
12	4	66S63	3/16" BLIND RIVET	
13	1	721	MAINGUARD PACKING NUT	C
14	1	77C	SEAT RUBBER BOLT	
15	2	77CL	CLAMP	
16	3	77D	PLUNGER O-RING	C
17	1	77F	NECK	C
18	1	77GA	TOP CAP	C
19	1	77I	SEAT WASHER	C
20	2	77K	TOP CAP BOLT	C
21	1	77L-B	PLUNGER	C
22	1	77M	O-RING FOR SLOTTED SCREW	C
23	1	77MG	PACKING NUT GASKET	C
24	1	77P	S.S. BOLT FOR CLAMP	
25	1	77Q	S.S. HEX NUT FOR CLAMP	
26	1	77W	WASHER FOR PLUNGER	
27	1	79A	2" NPT PLUG	
28	1	79V	BRASS 2" SIDE INLET VALVE	C
29	2	82-BKT-2	MOUNTING BRACKET	
30	1	82-BSE	BASE FOR 82 BOLLARD	
31	1	82-LK1	LOCKING TAB FOR BOLLARD RING	
32	1	82-LK2	LOCKING BASE TAB FOR BOLLARD	
33	3	82-PIN	LOCKING PIN FOR BOLLARD	
34	1	82-RNG	LOCKING RING FOR 11 IN BOLLARD	
35	2	82-UB	2 1/2" U-BOLT	
36	1	88-29	S.S. CASE PRESSURE GAUGE	
37	2	88-9C1	3/8" COMP. x 3/8" MIP S.S. STRAIGHT FITTING	
38	1	94-K	PLASTIC NOZZLE CAP	
39	12	9400A-11	S.S. SCREW FOR BOLLARD MOUNT	
40	11	9419	S.S. FLAT WASHER	
41	4	9438	S.S. HEX BOLT FOR BRACKET	
42	7	9458	S.S. LOCK WASHER	
43	1	A1	TOP CAP GASKET	C
44	1	B11-BL	11" BOLLARD - BLUE	S
45	3	G98233	BOLT FOR LOCKING PIN	
OPTIONS / REPAIR PARTS ONLY				
46	0	2MJG	2" MECHANICAL JOINT GLAND	
47	0	2TG	2" TRANSITION GLAND	
48	0	707	2" MJ IRON ADAPTER	
49	0	77J	BRASS 2" STRAIGHT INLET VALVE	C
50	0	85LHW	LONG HANDLE WRENCH	A
51	0	85SHW	SHORT HANDLE WRENCH	A
52	0	CORTEN	MJ BOLT AND NUT	

#77-HYB CUT SHEET

(HORIZONTAL INLET 2" OUTLET)
(BOLLARD ENCLOSURE)



NOTE	DESCRIPTION
A	NOT SHOWN
B	PIPE LENGTH DEPENDENT ON DEPTH OF BURY, SHOWN AS 3'
C	SOLD AS REPLACEMENT PART
S	SPECIFY COLOR ON ORDER, CHOICE OF GREEN, BLUE, BLACK, RED, YELLOW, GREY, LIGHT GREY, WHITE, BROWN

DISCLAIMER
THIS DRAWING IS THE PROPERTY OF THE KUPFERLE FOUNDRY COMPANY. IT IS NOT TO BE USED OR DUPLICATED WITHOUT THE PERMISSION OF THE OWNER.

LEGEND

(X)	STANDARD TAG
(X/Y)	TAG WITH Y QUANTITY

DRAWN	RS	5/18/2021	
CHECKED	KJW	5/19/2021	
MODIFIED	KJW	1/31/2023	
SIZE	C	SCALE	1 / 4
DWG NO	#77-HYB		SHEET 1 OF 1 REV 1.1