



MAIN**GUARD**TM

#77-Hybrid | Sampling Station & Blow-off

- Hybrid station with 2" blow-off and stainless sample port for bac-T collection
- Non-draining to avoid contamination of bac-T sample
- Non-freezing with the use of Kupferle's battery-powered evacuation pump (EEP)
- Sampling point is 3/8" unthreaded stainless steel
- 2" FIP inlet and outlet with 2" stainless ball valve on flush pipe
- Pressure gauge on operating pipe to detect water in event of O-ring failure
- Housed in locking UV resistant enclosure
- Fully maintainable from above ground - never dig to repair



All Kupferle sampling stations are non-draining to avoid contamination of samples. With the use of our EEP (Electric Evacuation Pump) utilities can pump the unit dry to avoid freezing.

Kupferle
Saint Louis, Missouri
800-231-3990
hydrants.com





MAIN GUARD™

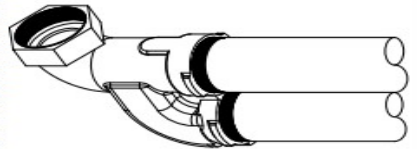
#77-Hybrid | Sampling Station & Blow-off

#77-HYB SAMPLING AND FLUSHING HYBRID SPEC SHEET

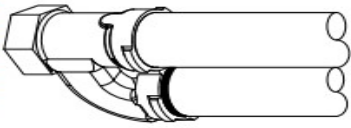
GENERAL PRELIMINARY SPECIFICATIONS	
MANUFACTURER	2018
MODEL NUMBER	8000-0000-0000
DATE OF ISSUE	05/18/2018
ISSUE NO.	001
ISSUED BY	ISSUED BY
REVISIONS	REVISIONS
DATE	DATE
BY	BY
CHECKED BY	CHECKED BY
APPROVED BY	APPROVED BY

MANUFACTURER Product Checking Guide					
DESCRIPTION	ITEM #	QTY	UNIT	PRICE	TOTAL
ITEM #	DESCRIPTION	QTY	UNIT	PRICE	TOTAL
1	2" FIP HORIZONTAL INLET	1	EA		
2	2" FIP VERTICAL INLET	1	EA		
3	TOP VIEW	1	EA		
4	INSTALL VIEW	1	EA		
5	ISO VIEW	1	EA		
6	DETAIL VIEW	1	EA		
7	DEPTH OF BURY	1	EA		
8	MANUAL FLUSHING HYBRID	1	EA		

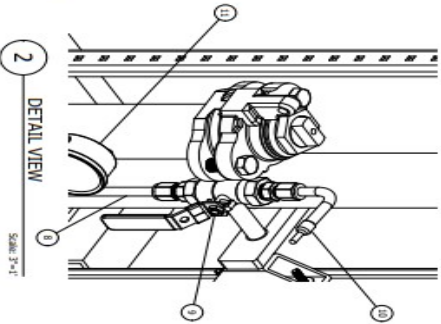
ITEM #	DESCRIPTION	NOTES
1	2" FIP HORIZONTAL INLET	
2	2" FIP VERTICAL INLET	
3	TOP VIEW	
4	INSTALL VIEW	
5	ISO VIEW	
6	DETAIL VIEW	
7	DEPTH OF BURY	
8	MANUAL FLUSHING HYBRID	



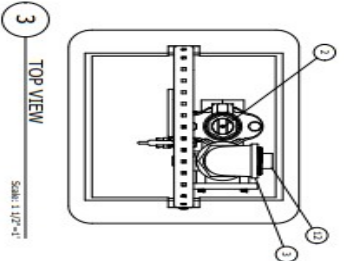
A 2" FIP HORIZONTAL INLET
Scale: 3"-1"



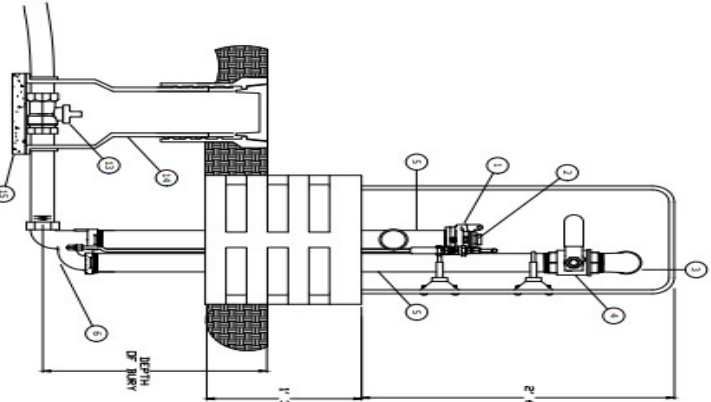
B 2" FIP VERTICAL INLET
Scale: 3"-1"



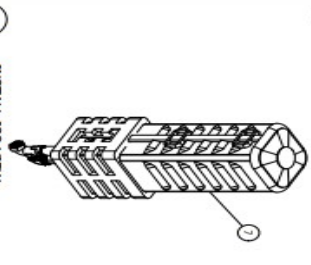
2 DETAIL VIEW
Scale: 3"-1"



3 TOP VIEW
Scale: 1 1/2"-1"



1 INSTALL VIEW
Scale: 1"-1"



4 INSTALL ISO VIEW
Scale: 1 1/2"-1"

#77-HYB Sampling and Flushing Hybrid Hydrant (SFHS) shall be installed in the following location(s): _____

#77-HYB SFHS shall be a sampling station and 2" manual flushing hybrid hydrant, utilizing a brass inlet valve and stainless steel discharge and a 3" standard depth of bury. Station shall come with a 3" stainless steel sampling bibb. Hydrant shall be furnished with a 2" FIP horizontal or 2" FIP vertical inlet connection. A non-tuning operating rod shall open to the left with 4 to 6 rotations being fully open. A 2" stainless steel ball valve on the discharge pipe, may be closed to facilitate sampling without water being flushed. Outlet shall be 2" FIP standard with plug and extend a minimum of 12" above the ground. The station shall be pumped dry after use, to insure the station is non-freezing. A pressure gauge is included on the operating pipe, for detection of water in this pipe in the event of an o-ring failure.

All water flow shall pass through a 2" stainless steel pipe and waterway. The operating drive mechanism shall raise and lower a plunger to control the flow of water. Drive mechanism shall be serviceable from above ground with no digging and shall operate with a standard universal slotted valve wrench. All working parts shall be brass, stainless steel or PVC.

Recommendation of the AWWA should be followed when installing the hydrant.

Unit model # shall be #77-HYB as specified in the product ordering guide as manufactured by Kupferle Foundry Company, St. Louis MO, or approved equal.

REVISION	DATE	STATUS
1	05/18/2018	NEW RELEASE
2		STATUS: REVISION

NOTES	
A	FOR USE IN OTHERS
B	INSTALLATION REQUIREMENTS
C	EXCESSIVE STRESS THE MATERIAL SHOULD BE REPAIRED FOR ADDITIONAL RESISTANCE TO CORROSION. KUPFERLE RECOMMENDS SERVICAL UNDERGROUND PIPING AND FITTINGS WITH BIFUNCTIONAL SPRAY TALL ALLOWING PROPER TIME TO DRY AND WEAPEN THE PARTS.

#77-HYB SFHS SPEC SHEET

ISSUES: 1 DATE: 05/18/2018
 DESIGNED BY: JLM
 APPROVED BY: JLM
 SHEET SIZE: 8 1/2" X 11" SCALE: 1"=1"
 VARIANTS: NONE

KUPFERLE
 2511 NORTH 9TH STREET
 ST. LOUIS, MO 63102
 1-800-231-5990
 FAX: 314-231-2620
 www.hydants.com

SHEET 1 OF 1