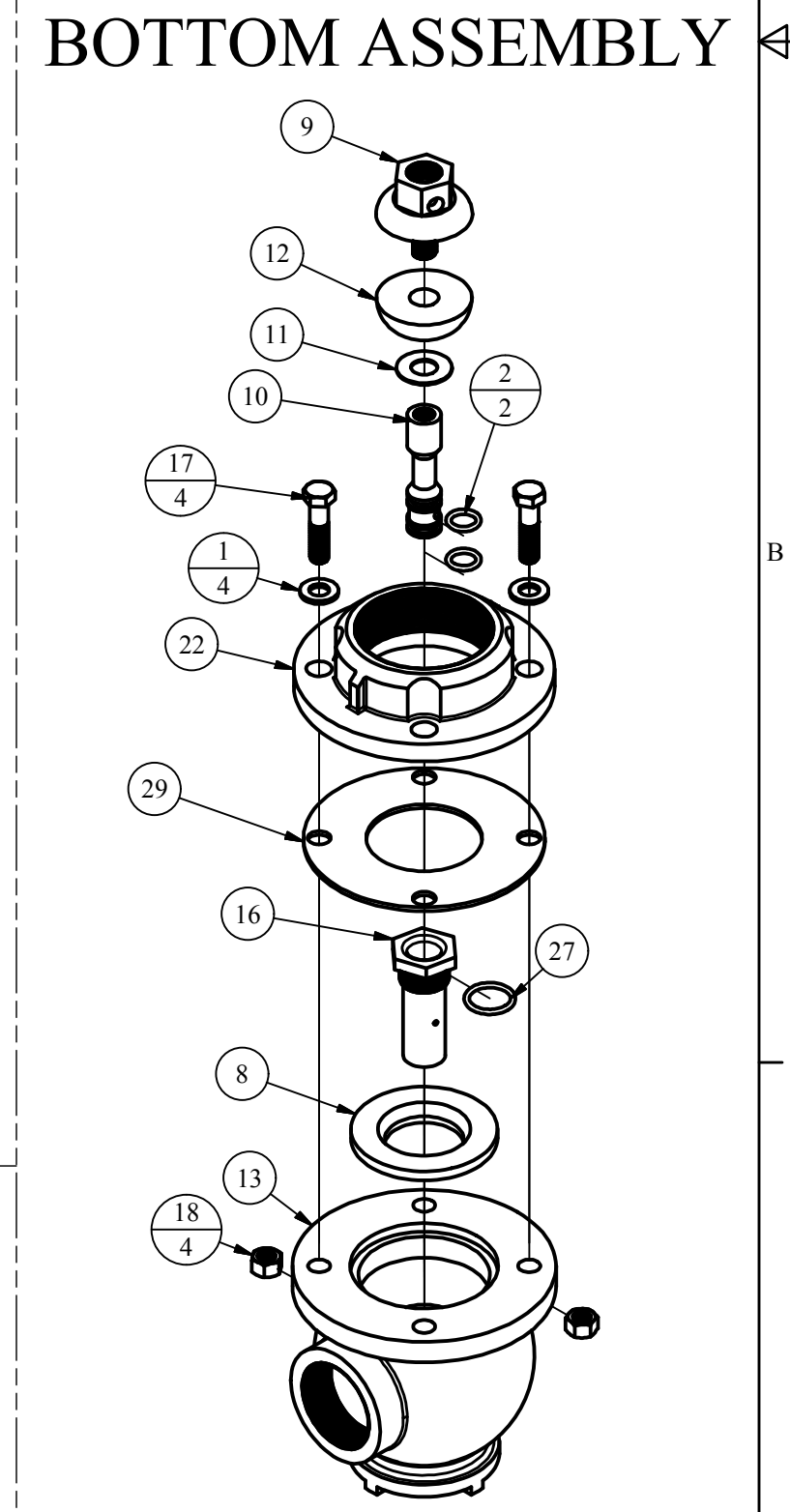
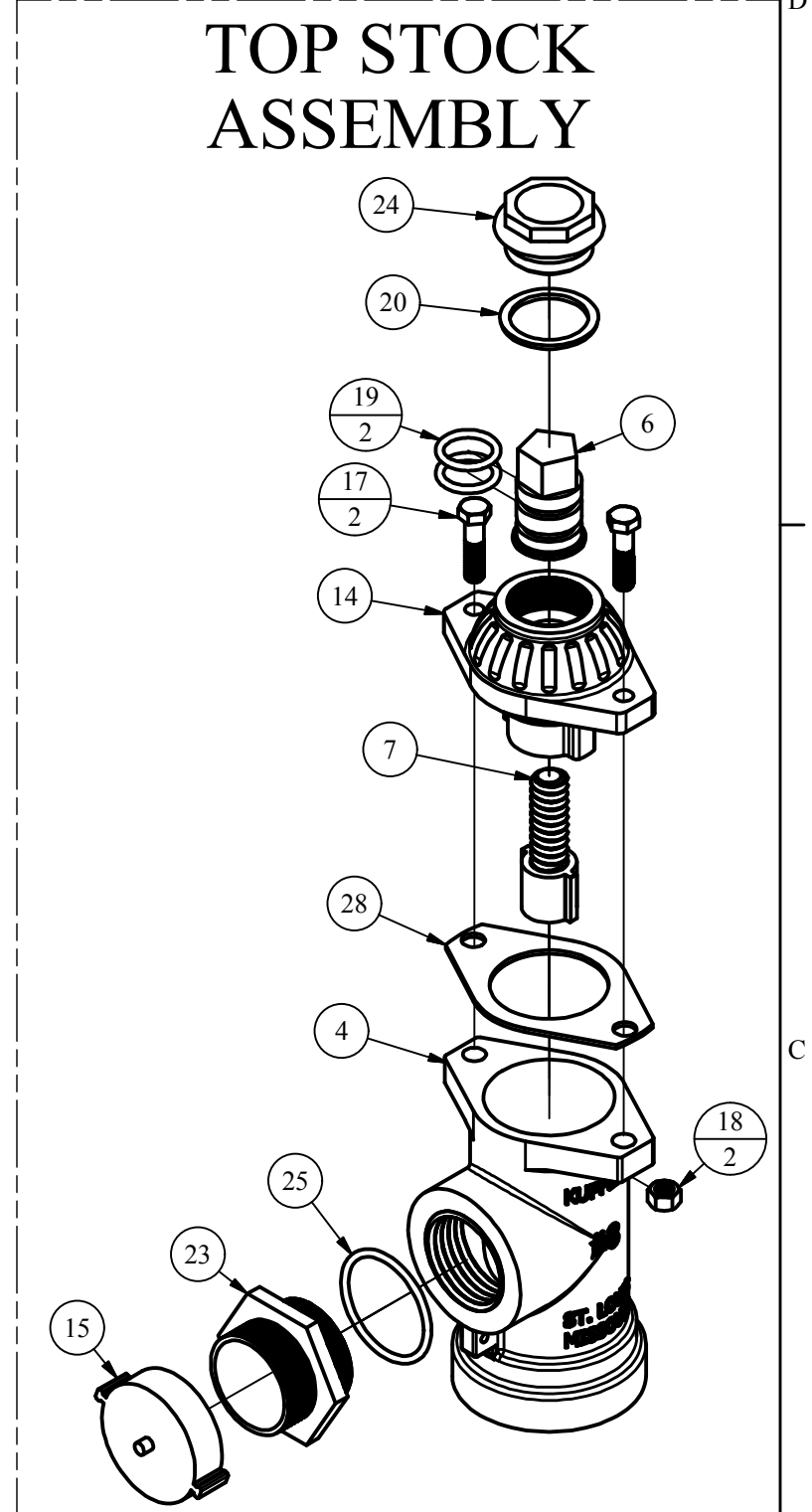
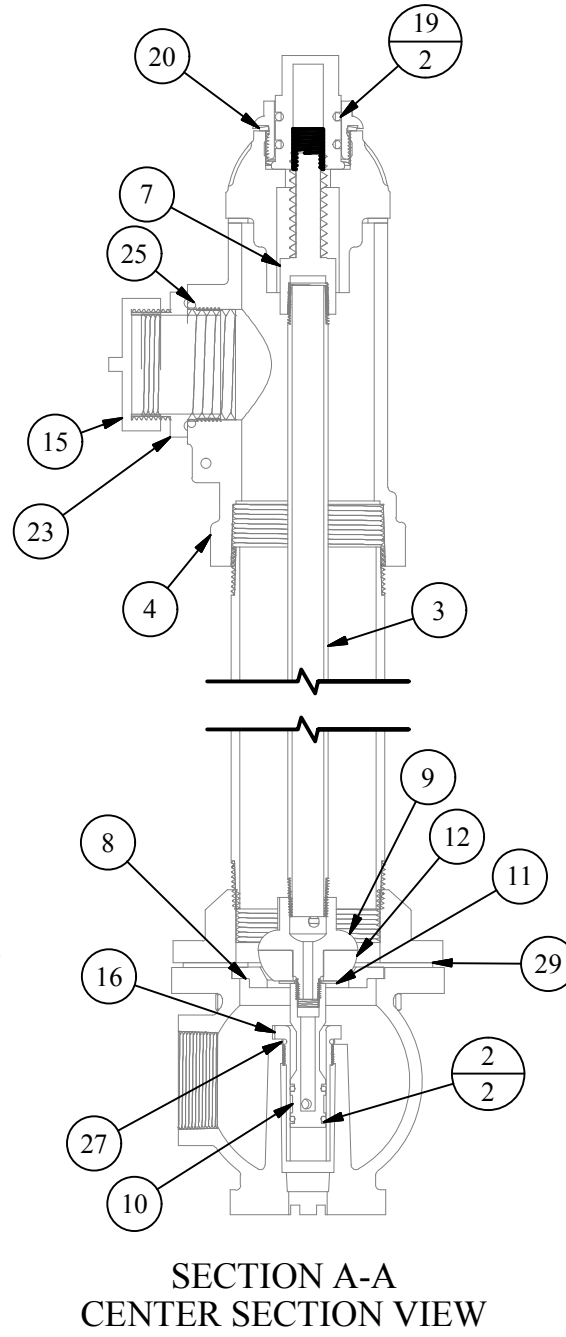
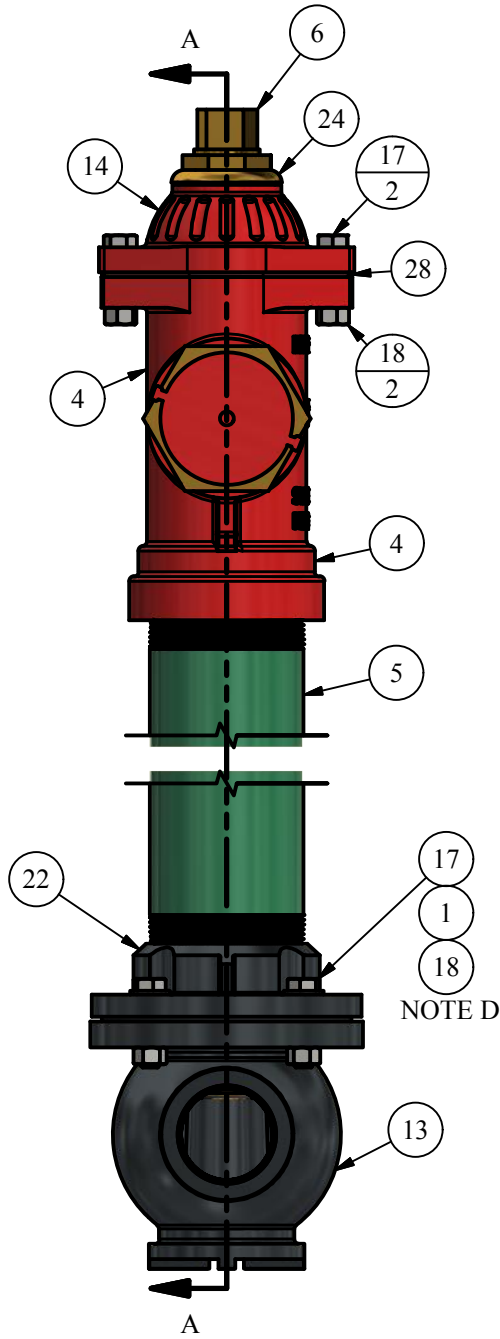


#8 CUT SHEET

(2" IP INLET, 2-1/2" OUTLET, STANDARD)

PARTS LIST

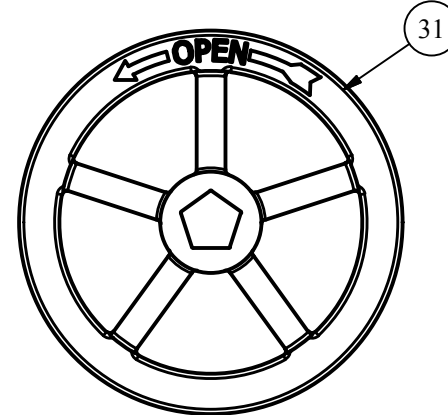
ITEM	QTY	PART NUMBER	DESCRIPTION	NOTES
1	4	1/2W	1/2" STRUCTURAL BOTTOM WASHER	
2	2	2OR	O-RING FOR PLUNGER STEM	C,K
3	4.54	3/4GAL	3/4" GALVANIZED OPERATING ROD	B,C
4	1	488	#8 TOP STOCK	C
5	3.917	4FBE	4" FBE COATED STEEL PIPE	
6	1	508	OPERATING NUT (1-1/2" PENT)	
7	1	518	CONNECTING ROD	C
8	1	521	SEAT RING	C
9	1	537-P	"NEW STYLE" PLUNGER TOP	C,K
10	1	539L2	PLUNGER STEM	C,K
11	1	539W	S.S. PLUNGER WASHER	K
12	1	541	SEAT RUBBER	C,K
13	1	571-A	IRON BOTTOM (2" IP)	J,K
14	1	588	#8 TOP CAP	C
15	1	598-A	SIDE CAP AND CHAIN	C
16	1	611	WASTE TUBE	K
17	6	628A-B	TOP CAP BOLT	C
18	6	629A-N	1/2" STEEL HEX NUT	
19	2	668	OPERATING NUT O-RING	C
20	1	669	PACKING NUT GASKET	C
22	1	678	FLANGE COUPLING FOR DUCTILE	C
23	1	716	2-1/2" NST BRASS NOZZLE	C,J,K
24	1	739	PACKING NUT (1-1/2" PENT)	
25	1	95G	HOUSING O-RING	C
26	1	9S	S-HOOK	A
27	1	A19	WASTE TUBE O-RING	C,K
28	1	A2-NS	TOP CAP GASKET	C
29	1	A8	"NEW STYLE" BOTTOM GASKET	C,K
OPTIONS / REPAIR PARTS LIST				
31	0	667	HANDWHEEL (1-1/2" PENT)	C



REPAIR KITS

PART NUMBER	DESCRIPTION	PARTS INCLUDED
X508	OPERATING NUT 1-1/2" PENT COMPLETE	508 BRASS OPERATING NUT (1), 668 O-RING (2)
X628A	BOLT AND NUT FOR TOP (REQUIRES 2 SETS PER CAP)	628A-B BOLT (1), 629A-N NUT (1)
X739	BRASS PACKING NUT WITH GASKET	739 PACKING NUT (1), 669 GASKET (1)

HANDWHEEL




LEGEND

- (X) → STANDARD TAG
- (X/Y) → TAG WITH Y QUANTITY

NOTE	DESCRIPTION
A	NOT SHOWN
B	PIPE LENGTH DEPENDENT ON DEPTH OF BURY
C	SOLD AS REPLACEMENT PART
D	BOLT ASSEMBLY USED ON ALL SIMILAR HOLES/BRACKETS
J	SEVERAL OTHER INLET/OUTLET CONFIGURATIONS ARE OFFERED. SEE NOTES K & L
K	SEE #2, #8, #85 GUIDE FOR INLET, NOZZLE, CAP OPTIONS, & PLUNGER HISTORY SHEET FOR ASSEMBLY VIEWS AND REPLACEMENT PART INFORMATION

DISCLAIMER
THIS DRAWING IS THE PROPERTY OF THE KUPFERLE FOUNDRY COMPANY. IT IS NOT TO BE USED OR DUPLICATED WITHOUT THE PERMISSION OF THE OWNER.

DRAWN	11/13/2017	 2511 NORTH 9TH ST. ST. LOUIS, MO 63102 1-800-231-3990	
SMS			
CHECKED			
DCL	11/15/2017		
MODIFIED			
SIZE	C	SCALE	1 / 5
DWG NO	#8 Cut_Rev1	SHEET	1 OF 1
		REV	1