

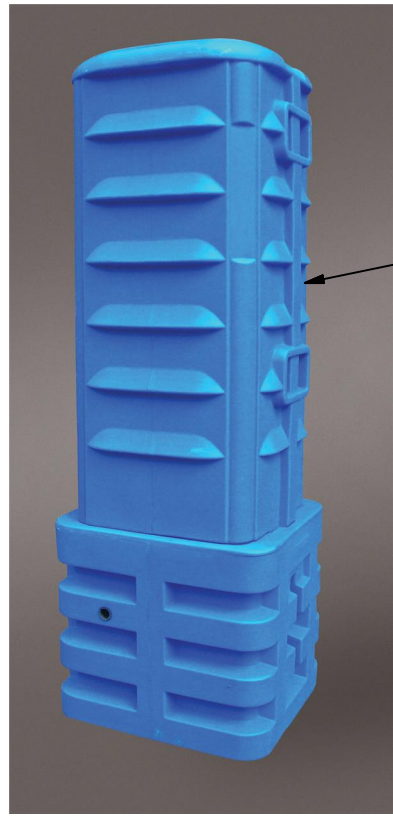
82 CUT SHEET

PARTS LIST

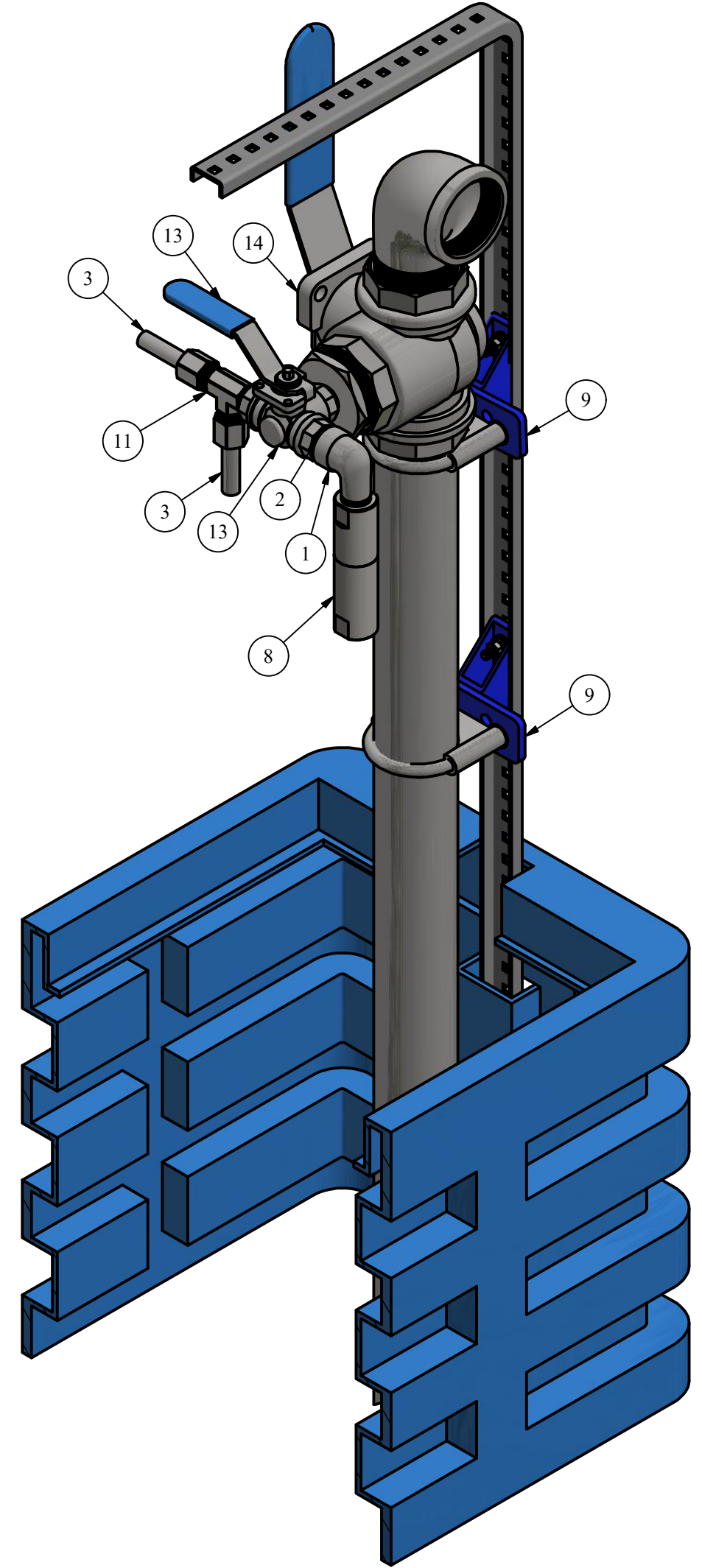
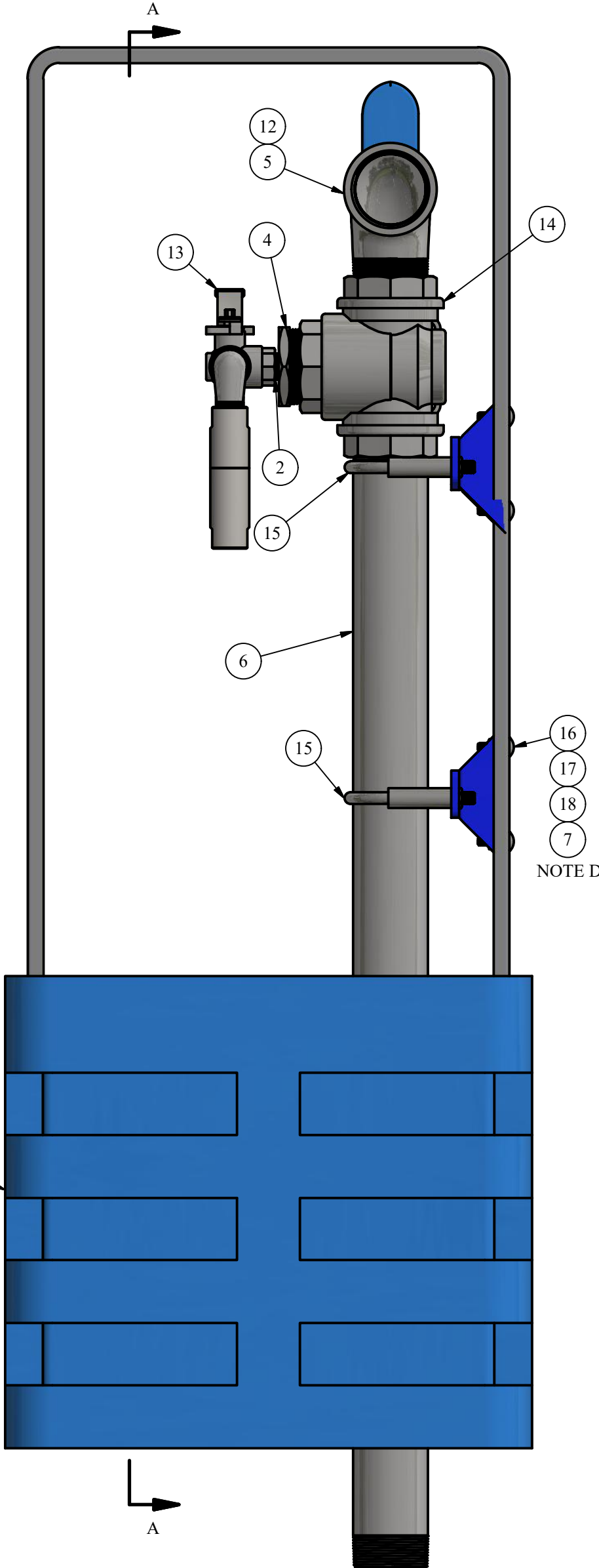
ITEM	QTY	PART NUMBER	DESCRIPTION	NOTES
1	1	1/290SSL	1/2" 90° S.S. STREET ELBOW	
2	2	1/2SSCN	1/2" S.S. CLOSE NIPPLE	
3	0.33	1/2ST	1/2" S.S. TUBING	C
4	1	2 x 1/2SHB	2" x 1/2" S.S. HEX BUSHING	
5	1	290SSL	2" S.S. STREET ELBOW	
6	3.17	2SSP	2" S.S. PIPE	B,C
7	4	345-N	S.S. HEX NUT FOR MOUNTING BRACKET	
8	1	82-AFV	S.S. ANTI-FREEZE VALVE	C
9	2	82-BKT	MOUNTING BRACKET	
10	1	82-MAH	MULTIPLE ACCESS HOUSING	C
11	1	82-PCT	1/2" MIP x 1/2" COMP. S.S. TEE ADAPTER	
12	1	82-SSS	DRAIN SOCKET SCREW	
13	1	82-TWV	1/2" S.S. THREE WAY BALL VALVE	C
14	1	82-TWV2	2" S.S. THREE WAY BALL VALVE	C
15	2	82-UB	2" S.S. U-BOLT W/ RETAINING RING & NUTS	
16	4	9400A-38	S.S. BOLT FOR MOUNTING BRACKET	
17	4	9419	S.S. FLAT WASHER FOR MOUNTING BRACKET	
18	4	9458	S.S. LOCK WASHER FOR MOUNTING BRACKET	
19	1	88-1PK	KEY FOR 82-MAH	C

BALL VALVE VARIATIONS PARTS LIST

ITEM	QTY	PART NUMBER	DESCRIPTION	NOTES
20	0	82-S	1/2" BALL VALVE STOP	A
21	0	82-S2	2" BALL VALVE STOP	A
22	0	346-N	S.S. NUT FOR BALL VALVE HANDLE SET SCREW	A
23	0	10259	S.S. ALLEN SCREW FOR BALL VALVE HANDLE	A



10

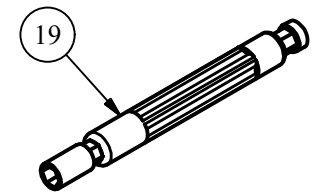


SECTION A-A
ISOMETRIC VIEW

REPAIR PARTS

PART NUMBER	DESCRIPTION	PARTS INCLUDED	NOTES
X82-FV	REPLACEMENT ANTI-FREEZE VALVE FOR OLD-FV (BLACK)	S.S. CLOSE NIPPLE (1), S.S. STREET ELBOW (1), ANTI-FREEZE VALVE (1)	

KEY FOR 82-MAH



NOTE	DESCRIPTION
A	NOT SHOWN
B	PIPE LENGTH DEPENDENT ON DEPTH OF BURY
C	SOLD AS REPLACEMENT PART
D	BOLT ASSEMBLY USED ON ALL SIMILAR HOLES/BRACKETS

DISCLAIMER:
THIS DRAWING IS THE PROPERTY OF THE KUPFERLE FOUNDRY COMPANY. IT IS NOT TO BE USED OR DUPLICATED WITHOUT PERMISSION OF THE OWNER

LEGEND

- (X) → STANDARD TAG
- (X/Y) → TAG WITH Y QUANTITY

DRAWN	12/18/2017
SMS	
CHECKED	11/8/2018
DCL	
MODIFIED	

SIZE	SCALE
C	1 / 4

DWG NO	#82 Cut_Rev0
--------	--------------



2511 NORTH 9TH ST.
ST. LOUIS, MO 63102
1-800-231-3990

SHEET	REV
1 OF 1	1