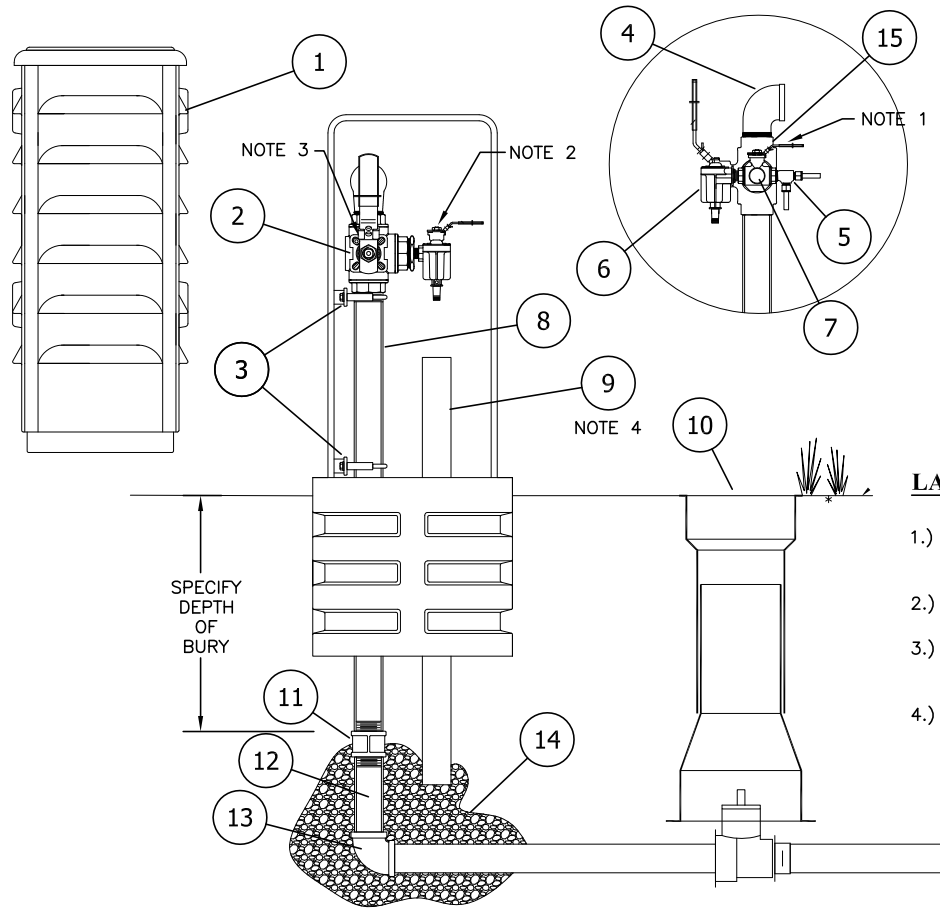


#82 FREEZE PROOF HYDRANT

Multiple purpose freeze proof blow-off and sampling device shall be installed in the following locations:



ITEM	ITEM / DESCRIPTION	BY OTHERS	OPTIONAL
1	UV RESISTANT LOCKABLE LID		
2	2" 3-WAY S.S. BALL VALVE		
3	MOUNTING BRACKET		
4	2" NPT S.S. DISCHARGE		
5	S.S. SAMPLING POINT		
6	FREEZE PROTECTION VALVE		
7	1/2" 3-WAY S.S. BALL VALVE		
8	2" S.S. WATERWAY		
9	3" min. PVC DRAIN	X	
10	VALVE BOX	X	
11	2" S.S. COUPLING	X	X
12	2" S.S. NIPPLE	X	X
13	2" S.S. ELBOW	X	X
14	1" CLEAN ROCK	X	
15	THREAD 10-32 DRAIN HOLE		

LAYOUT NOTES:

- 1.) 3-WAY SAMPLING VALVE SHOWN IN THE FREEZE PROTECTION POSITION.
- 2.) 3-WAY SAMPLING VALVE SHOWN IN THE SAMPLING POSITION.
- 3.) MAIN 2" 3-WAY BLOW-OFF VALVE SHOWN IN THE FREEZE PROTECTION POSITION.
- 4.) A DRAIN SHALL BE INSTALLED TO ALLOW THE FREEZE PROTECTION VALVE TO DRAIN BELOW THE FROST LINE.
 - @ 20°F - APPROXIMATELY 13 GALLONS PER DAY
 - @ -10°F - APPROXIMATELY 42 GALLONS PER DAY

THE EXACT AMOUNT OF WATER DISPENSED DEPENDS ON AMBIENT AIR TEMPERATURE, MAKE UP WATER TEMPERATURE, AND DURATION OF COLD SPELL.

The #82 Freeze Proof Sampling Station shall be a standard 20" bury, with a 2" MIP inlet and a 2" NPT threaded discharge. A 3/8" Stainless Steel T compression shall be located before the discharge to allow for sampling. A 2" Stainless Steel Ball Valve shall control the flow of water for the main discharge. The unit shall be fully enclosed in a UV resistant lockable cover and when opened, the station shall require no key for operation. All water flow must be thru Stainless Steel and all operational parts shall be servicable from above ground without any digging. A temperature activated water relief valve shall maintain a controlled water temperature within the waterway by opening the valve port when the water temperature reaches 43°F and remain open until warmer water reaches the port, thus creating a non freezing environment. The freeze proof cycle shall repeat as often as necessary to prevent freezing..

Unit model # shall be 82 as manufactured by Kupferle Foundry Company, St. Louis MO (1-800-231-3990), or approved equal.

NOTE: Flush water lines free of debris before installation

DRAWN DCL
CHECKED DCL
APPROVED DCL
DATE 1/10/13



2511 NORTH 9TH STREET, ST. LOUIS, MO 63102
314-231-8738 800-231-3990 FAX 314-231-2820
<http://www.hydrants.com>

THIS DRAWING IS THE PROPERTY OF THE KUPFERLE FOUNDRY COMPANY. IT IS NOT TO BE USED OR DUPLICATED WITHOUT PERMISSION OF THE OWNER.

SHEET 1 OF 1 SCALE: 1/2"=1"
#82 SPEC SHEET

DD/MM/YY	ISSUED FOR REFERANCE
DATE	STATUS / REVISION