

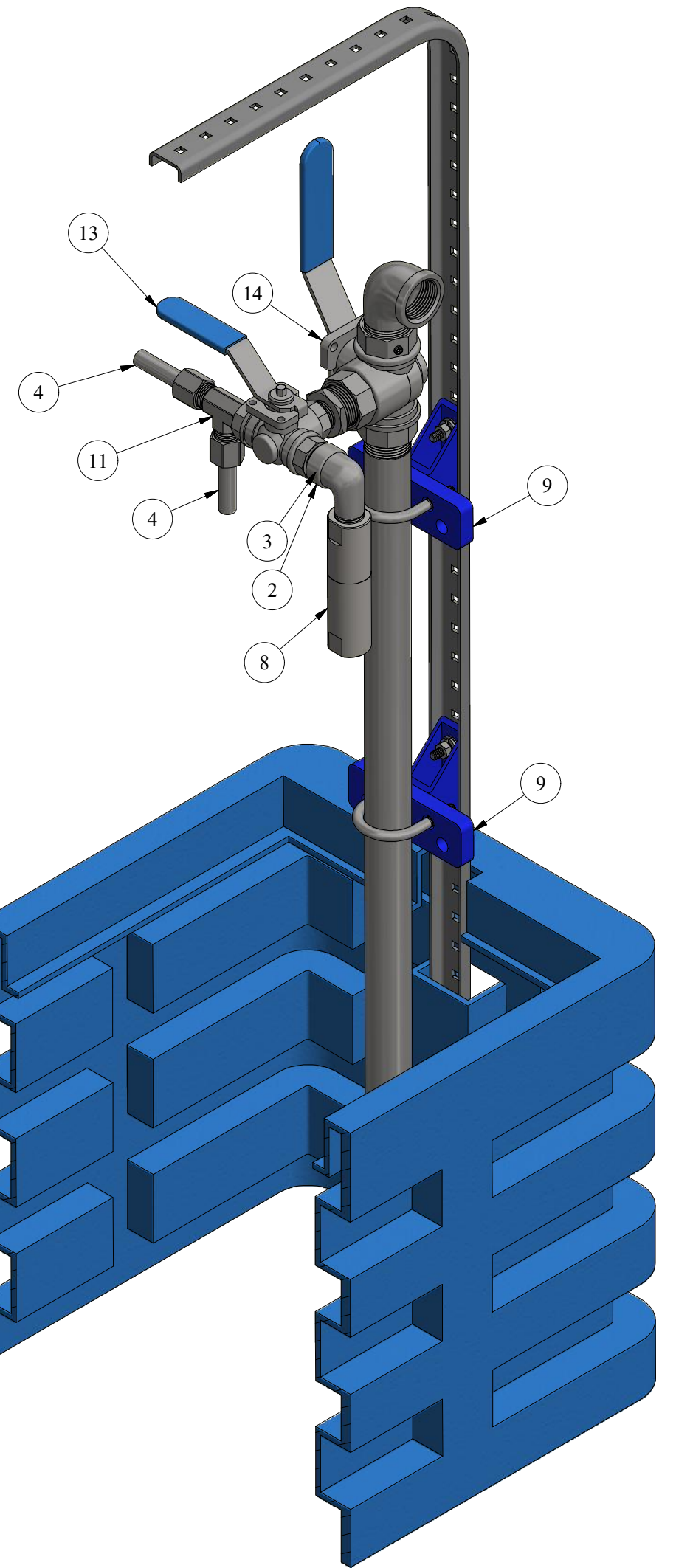
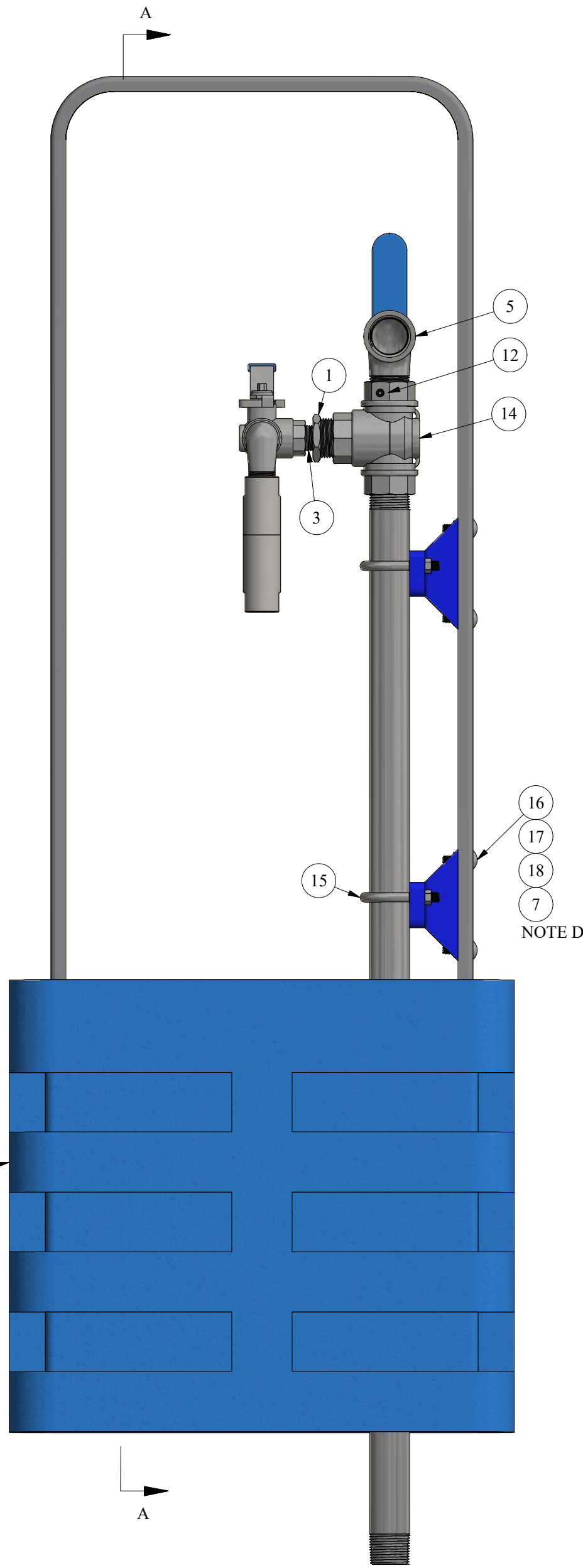
82A CUT SHEET

PARTS LIST

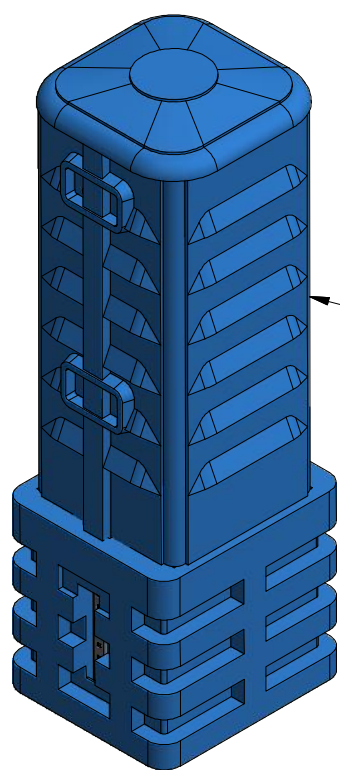
ITEM	QTY	PART NUMBER	DESCRIPTION	NOTES
1	1	1 X 1/2SHB	1" x 1/2" S.S. HEX BUSHING	
2	1	1/290SSL	1/2" 90° S.S. STREET ELBOW	
3	2	1/2SSCN	1/2" S.S. CLOSE NIPPLE	
4	4.000 in	1/2ST	1/2" S.S. TUBING	C
5	1	190SSL	1" S.S. STREET ELBOW	
6	36.000 in	1SSP	1" S.S. PIPE	B,C
7	4	345-N	S.S. HEX NUT FOR MOUNTING BRACKET	
8	1	82-AFV	S.S. ANTI-FREEZE VALVE	C
9	2	82-BKT	MOUNTING BRACKET	
10	1	82-MAH	MULTIPLE ACCESS HOUSING	C
11	1	82-PCT	1/2" MIP x 1/2" COMP. S.S. TEE ADAPTER	
12	1	82-SSS	DRAIN SOCKET SCREW	
13	1	82-TWV	1/2" S.S. THREE WAY BALL VALVE	C
14	1	82-TWV1	1" THREE WAY BALL VALVE	C
15	2	82-UB1	1" S.S. U-BOLT W/ RETAINING CLAMP	
16	4	9400A-38	S.S. BOLT FOR MOUNTING BRACKET	
17	4	9419	S.S. FLAT WASHER FOR MOUNTING BRACKET	
18	4	9458	S.S. LOCK WASHER FOR MOUNTING BRACKET	
19	1	82-KEY	ENCLOSURE KEY	C

BALL VALVE VARIATIONS PARTS LIST

ITEM	QTY	PART NUMBER	DESCRIPTION	NOTES
20	0	10259	S.S. ALLEN SCREW FOR BALL VALVE HANDLE	A
21	0	346-N	S.S. NUT FOR BALL VALVE HANDLE SET SCREW	A
22	0	82-S	1/2" BALL VALVE STOP	A
23	0	82-S1	1" BALL VALVE STOP	A



SECTION A-A
ISOMETRIC VIEW

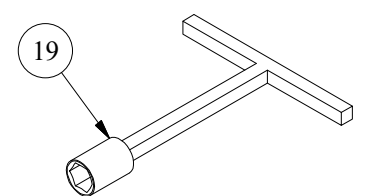


10

REPAIR PARTS

PART NUMBER	DESCRIPTION	PARTS INCLUDED	NOTES
X82-FV	REPLACEMENT ANTI-FREEZE VALVE FOR OLD-FV (BLACK)	S.S. CLOSE NIPPLE (1), S.S. STREET ELBOW (1), ANTI-FREEZE VALVE (1)	

KEY FOR 82-MAH



NOTE	DESCRIPTION
A	NOT SHOWN
B	PIPE LENGTH DEPENDENT ON DEPTH OF BURY, SHOWN AS 20"
C	SOLD AS REPLACEMENT PART
D	BOLT ASSEMBLY USED ON ALL SIMILAR HOLES/BRACKETS
E	BALL VALVES SHOWN IN OPERATING POSITION

DISCLAIMER:
THIS DRAWING IS THE PROPERTY OF THE KUPFERLE
FOUNDRY COMPANY. IT IS NOT TO BE USED OR
DUPLICATED WITHOUT PERMISSION OF THE OWNER

LEGEND

(X) →	STANDARD TAG
(X/Y) →	TAG WITH Y QUANTITY

DRAWN	SMS	4/2/2018
CHECKED	KJW	3/19/2021
MODIFIED	KJW	03/19/2021
SIZE	C	
SCALE		1 / 4
DWG NO	#82A Cut_Rev1.1	



2511 NORTH 9TH ST.
ST. LOUIS, MO 63102
1-800-231-3990

SHEET	REV
1 OF 1	1.1