

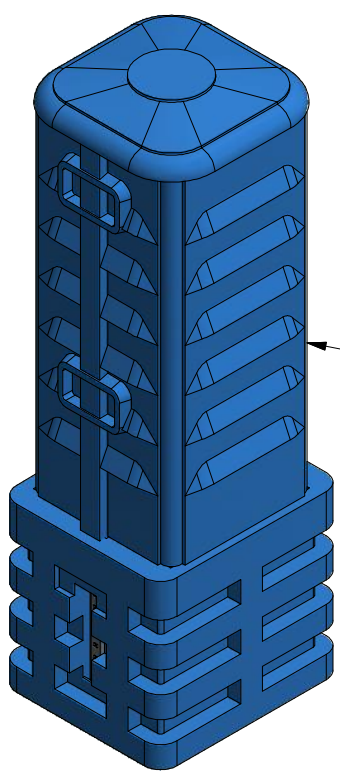
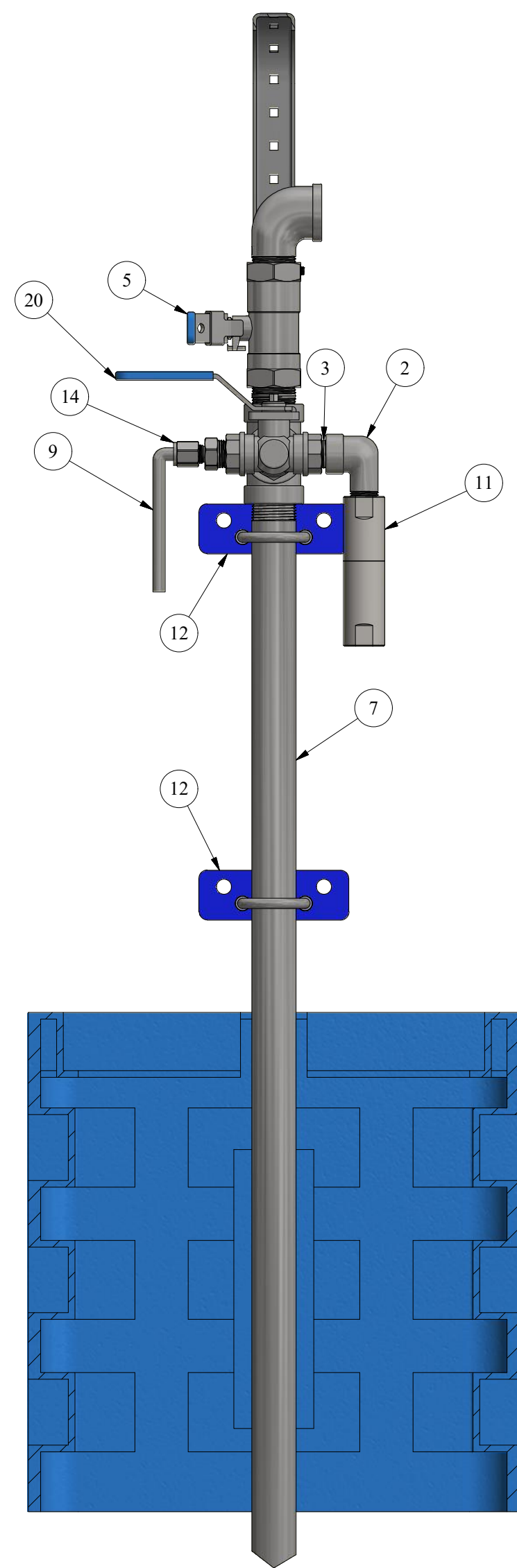
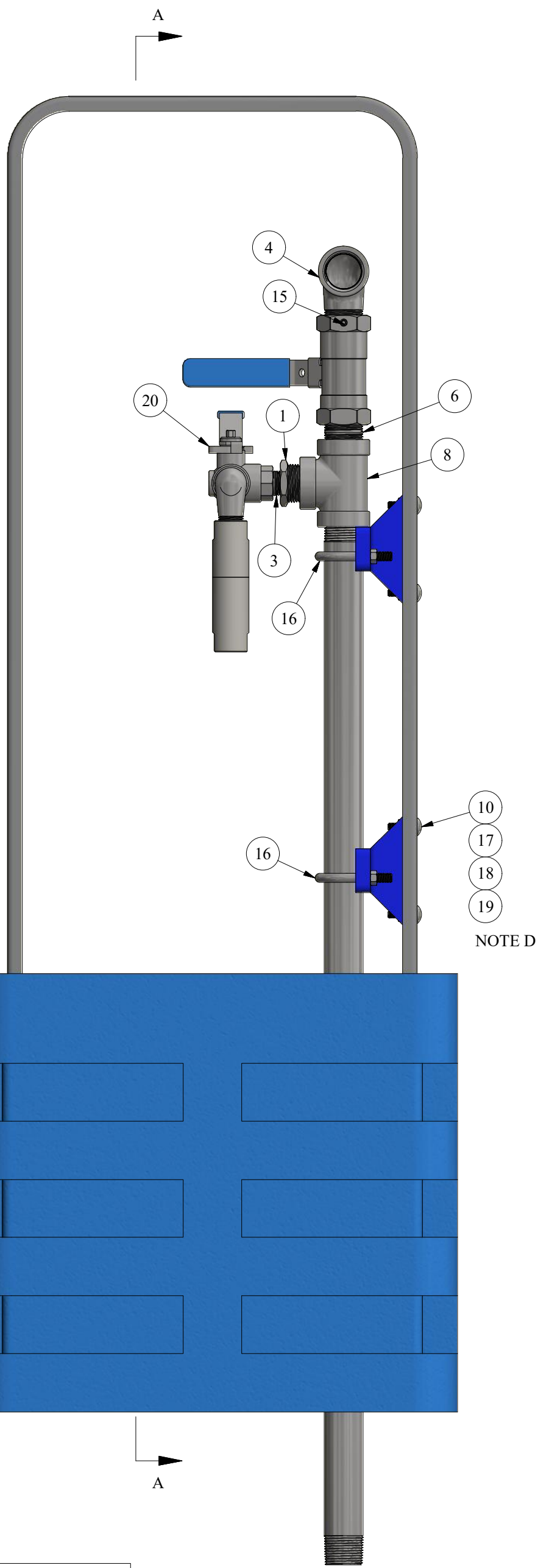
# 82WCA CUT SHEET

## PARTS LIST

ITEM	QTY	PART NUMBER	DESCRIPTION	NOTES
1	1	1 X 1/2SHB	1" x 1/2" S.S. HEX BUSHING	
2	1	1/290SSL	1/2" 90° S.S. STREET ELBOW	
3	2	1/2SSCN	1/2" S.S. CLOSE NIPPLE	
4	1	190SSL	1" S.S. STREET ELBOW	
5	1	1BVSSLH	1" S.S. BALL VALVE	
6	1	1SSCN	1" S.S. CLOSE NIPPLE	
7	36.000 in	1SSP	1" S.S. PIPE	B,C
8	1	1SST	1" S.S. TEE	
9	5.000 in	3/8ST	3/8" S.S. TUBING	C
10	4	345-N	S.S. NUT FOR MOUNTING BRACKET	
11	1	82-AFV	S.S. ANTI-FREEZE VALVE	C
12	2	82-BKT	MOUNTING BRACKET	
13	1	82-MAH	MULTIPLE ACCESS HOUSING	C
14	1	82-PCA	3/8" COMP. X 1/2" MIP S.S. ADAPTER	
15	1	82-SSS	DRAIN SOCKET SCREW	
16	2	82-UB1	1" S.S. U-BOLT W/ RETAINING CLAMP	
17	4	9400A-38	S.S. BOLT FOR MOUNTING BRACKET	
18	4	9419	S.S. FLAT WASHER FOR MOUNTING BRACKET	
19	4	9458	S.S. LOCK WASHER FOR MOUNTING BRACKET	
20	1	82-TWV	1/2" S.S. THREE WAY BALL VALVE	
21	1	82-KEY	KEY FOR 82-MAH	C

## BALL VALVE VARIATIONS PARTS LIST

ITEM	QTY	PART NUMBER	DESCRIPTION	NOTES
22	0	82-S	1/2" BALL VALVE STOP	A
23	0	82-S1	1" BALL VALVE STOP	A
24	0	10259	S.S. ALLEN SCREW FOR BALL VALVE HANDLE	A
25	0	346-N	S.S. NUT FOR BALL VALVE HANDLE SET SCREW	A

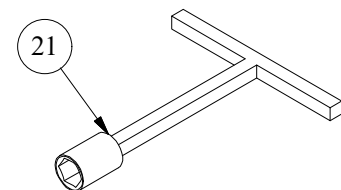


13

## REPAIR PARTS

PART NUMBER	DESCRIPTION	PARTS INCLUDED	NOTES
X82-FV	REPLACEMENT ANTI-FREEZE VALVE FOR OLD-FV (BLACK)	S.S. CLOSE NIPPLE (1), S.S. STREET ELBOW (1), ANTI-FREEZE VALVE (1)	

## KEY FOR 82-MAH



NOTE	DESCRIPTION
A	NOT SHOWN
B	PIPE LENGTH DEPENDENT ON DEPTH OF BURY, SHOWN AS 20"
C	SOLD AS REPLACEMENT PART
D	BOLT ASSEMBLY USED ON ALL SIMILAR HOLES/BRACKETS
E	BALL VALVES SHOWN IN OPERATING POSITION

**DISCLAIMER:**  
THIS DRAWING IS THE PROPERTY OF THE KUPFERLE FOUNDRY COMPANY. IT IS NOT TO BE USED OR DISTRIBUTED WITHOUT THE PERMISSION OF THE OWNER.

## LEGEND

- (X) → STANDARD TAG
- (X/Y) → TAG WITH Y QUANTITY

DRAWN	SMS	4/2/2018
CHECKED	KJW	3/19/2021
MODIFIED	KJW	03/19/2021
SIZE	C	
SCALE		1 / 4
DWG NO	#82WCA Cut_Rev1.1	



2511 NORTH 9TH ST.  
ST. LOUIS, MO 63102  
1-800-231-3990

SHEET	REV
1 OF 1	1.1