

#88 CUT SHEET

PARTS LIST

ITEM	QTY	PART NUMBER	DESCRIPTION	NOTES
1	1	124	3/4" IRON TOP CAP	C
2	1	134	IRON HANDLE	C
3	1	137	BRASS OPERATING SCREW	C
4	4.09	1GAL	1" GALVANIZED PIPE	B,C
5	4.24	3/8SSP	3/8" 316 S.S. PIPE	B,C
6	2	311-SS	PLUNGER NUT	
7	1	322	3/4" SLIDE	C
8	2	344-B	S.S. TOP CAP BOLT	C
9	2	344-N	TOP CAP NUT	C
10	1	418-B	BEVELED SEAT WASHER	C
11	1	88-10	S.S. VALVE BODY	C
12	1	88-13	S.S. PLUNGER	
13	10	88-14	ENCLOSURE FLAT WASHER	
14	2	88-15	3° WEDGE WASHER	
15	1	88-17	HOSE CLAMP	
16	1	88-21	O-RING FOR PLUNGER	C
17	1	88-24	HANDLE WASHER	C
18	1	88-25	NOZZLE CAP	C
19	1	88-3	LOW LEAD BRASS NOZZLE	C
20	6	88-4	ENCLOSURE BOLT	
21	6	88-5	ENCLOSURE NUT	
22	2	88-6	RIVET FOR 88 COVER	C
23	3.92	88-7	1/4" COPPER TUBING	B,C
24	1	88-8	1/4" TUBE x 1/8" MIP BRASS ELBOW	C
25	1	88-9	1/4" x 1/4" COMP. BRASS NEEDLE VALVE	C
26	1	88-A	"NEW STYLE" 88 COVER "A"	C,R
27	1	88-B	"NEW STYLE" 88 COVER "B"	C,R
28	2	88-C	"NEW STLYE" 88 BASE	C,R
29	1	915	IRON NECK	C
30	1	918	LOW LEAD BRASS ELBOW	C
31	2	9419	RIVET FLAT WASHER	
32	1	9435	SAMPLING POINT COVER	A,C
33	1	9452-88	HANDLE SCREW	
34	6	9465-88	ENCLOSURE LOCK WASHER	

OPTIONAL/REPAIR PARTS LIST

35	0	1BP	1" BRASS PIPE - 4.09 FT	C
36	0	4FBE	PEDESTAL PIPE - 2.85 FT	
37	0	678	COUPLING FOR 88 PEDESTAL	C
38	0	88-22	88 ENCLOSURE GASKET	
39	0	88-23	88 PEDESTAL BOLT	C
40	0	88-26	VINYL CAP FOR THREADED NOZZLE	A,C
41	0	88-3T	BRASS THREADED NOZZLE	A,C
42	0	88-9A	1/4" LOW LEAD BRASS BALL VALVE	A,C
43	0	88-9B	1/4" COMP. x 1/4" MIP ADAPTER	A,C
44	0	88-A-LOGO	"NEW STYLE" 88 COVER "A" WITH LOGO	A,C,R
45	0	88P-1S	SMALL PUMP	A
46	0	Z88PS	LARGE PUMP	A

OLD STYLE PARTS LIST

47		418-A	BIBB WASHER	
48		88-10/OLD	STAINLESS STEEL VALVE BODY - 3/8"	A,C
49		88-11	O-RING FOR X8813-MALE (SMALL)	
50		88-12	O-RING (EXTERNAL)	C
51		88-13-FEMALE	FEMALE PLUNGER	
52		88-13-MALE	MALE PLUNGER	
53		88-13-RETRO	RETRO PLUNGER	

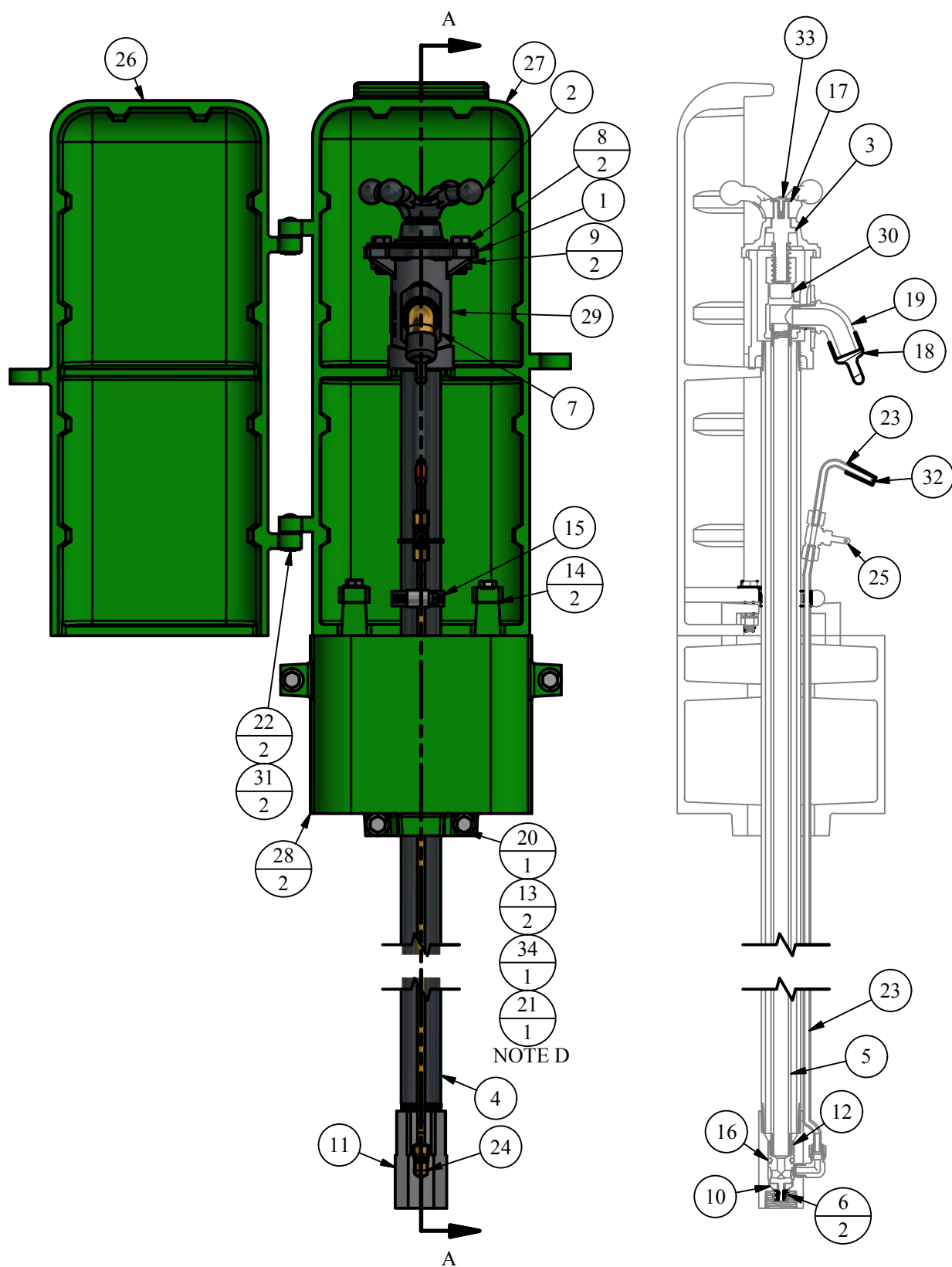
REPAIR KITS

PART NUMBER	DESCRIPTION	PARTS INCLUDED	NOTES
X130	3/4" CAP, HANDLE, SCREW	134 HANDLE (1), 9452-88 SCREW (1), 88-24 WASHER (1), 137 BRASS SCREW (1), 124 IRON CAP (1), 344-N NUT (2), 344-B BOLT (2)	
X881	ALUMINUM COVER COMPLETE	88-A FRONT COVER (1), 88-B BACK COVER (1), 88-6 RIVET (2), 9419 FLAT WASHER (2)	
X8813-NS	PLUNGER COMPLETE 3/8" FEMALE THREADS	88-13 PLUNGER (1), 88-21 O-RING (1), 418-B BEVELED WASHER (1), 311-SS NUT (2)	2012-PRESENT
X882	ALUMINUM BASE COMPLETE	88-C BASE (2), 88-4 BOLT (4), 9465-88 LOCK WASHER (4), 88-6 NUT (4), 88-14 FLAT WASHER (8)	
X883	ALUMINUM COVER AND BASE COMPLETE	88-A FRONT COVER (1), 88-B BACK COVER (1), 88-C BASE (2), 88-6 RIVET (2), 88-4 BOLT (6), 88-15 WEDGE WASHER (2), 9465-88 LOCK WASHER (6), 88-5 NUT (6), 88-14 FLAT WASHER (12), 9419 FLAT WASHER (2)	
X884	#88 REPAIR KIT	88-21 O-RING (1), 418-B BEVELED WASHER (1)	2012-PRESENT

OLD STYLE REPAIR KITS

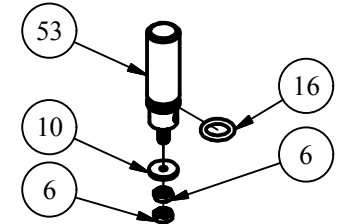
X8813-FEMALE	PLUNGER COMPLETE 3/8" FEMALE THREADS	88-13-FEMALE PLUNGER (1), 88-12 O-RING (1), 418-A FLAT WASHER (1), 418-B BEVELED WASHER (1), 311-SS NUT (2)	1996-2004
X8813-MALE	PLUNGER COMPLETE 1/4" MALE THREADS	88-13-MALE PLUNGER (1), 88-11 O-RING (1), 88-12 O-RING (1), 418-A FLAT WASHER (1), 418-B BEVELED WASHER (1), 311-SS NUT (2)	1988-1996
X8813-RETRO	PLUNGER COMPLETE TO RETROFIT	88-13-RETRO PLUNGER (1), 88-21 O-RING (1), 418-A FLAT WASHER (1), 418-B BEVELED WASHER (1), 311-SS NUT (2)	2004-2011
X884-FEMALE	#88 REPAIR KIT 3/8" FEMALE PLUNGER	88-12 O-RING (1), 418-A FLAT WASHER (1), 418-B BEVELED WASHER (1)	1996-2004
X884-MALE	#88 REPAIR KIT MALE PLUNGER	88-11 O-RING (1), 88-12 O-RING (1), 418-A FLAT WASHER (1), 418-B BEVELED WASHER (1)	1988-1996
X884-OLD	#88 REPAIR KIT 1/4" FEMALE PLUNGER	88-21 O-RING (1), 418-A FLAT WASHER (1), 418-B BEVELED WASHER (1)	2004-2011

NOTE	DESCRIPTION
A	NOT SHOWN
B	PIPE LENGTH DEPENDENT ON DEPTH OF BURY
C	SOLD AS REPLACEMENT PART
D	BOLT ASSEMBLY USED ON ALL SIMILAR HOLES/BRACKETS
R	POWDER COATING OPTIONS AVAILABLE

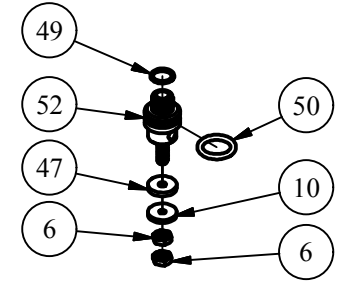


SECTION A-A
CENTER SECTION VIEW

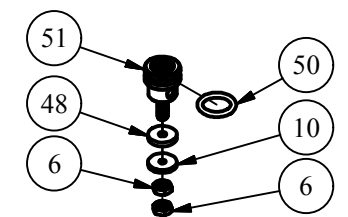
X8813-RETRO ASSEMBLY



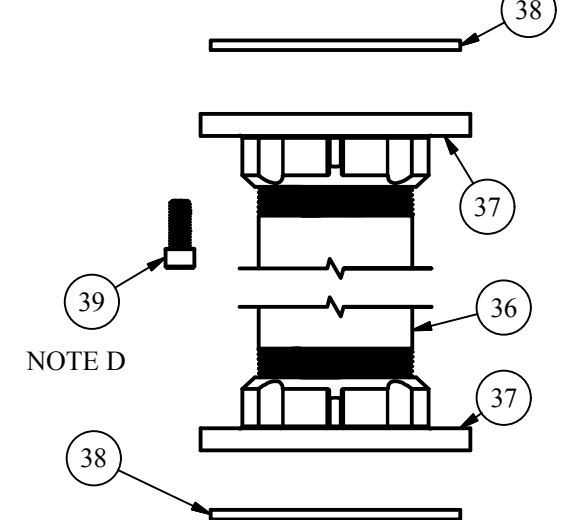
X8813-MALE ASSEMBLY



X8813-FEMALE ASSEMBLY

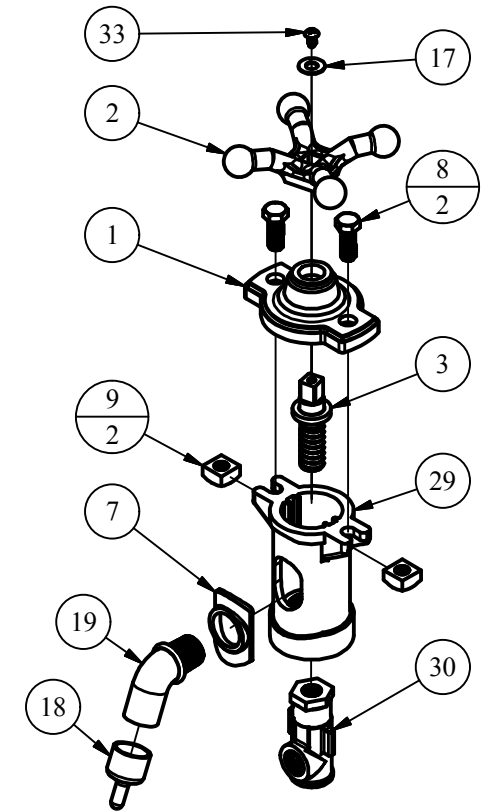


OPTIONAL PEDESTAL (3' STANDARD)

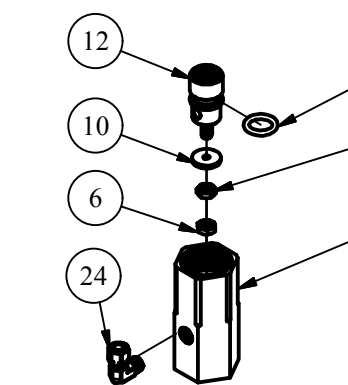


NOTE D

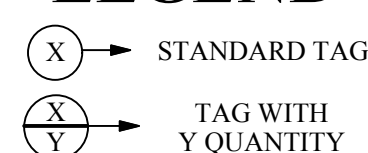
TOP STOCK ASSEMBLY



VALVE ASSEMBLY



LEGEND



DISCLAIMER
THIS DRAWING IS THE PROPERTY OF THE KUPFERLE
FOUNDRY COMPANY. IT IS NOT TO BE USED OR
DUPLICATED WITHOUT THE PERMISSION OF THE OWNER.

DRAWN	SMS	8/7/2017
CHECKED	DCL	9/12/2017
MODIFIED		

SIZE	C
SCALE	1/5

DWG NO	#88 Cut_Rev0
--------	--------------



SHEET	1 OF 1
REV	0