

Eclipse #88-SS Stainless Steel Sampling Station



- Designed for use in freezing climates
- All surgical stainless steel waterway
- Lockable cast-aluminum enclosure
- Unthreaded 7/16" blow-off globe valve
- No drain to prevent cross-contamination
- 1/8" globe valve evacuation petcock to remove excess water in freezing seasons (hand pump sold separately)
- Vinyl outlet caps to keep contaminants out and keep waterway clean
- Easily serviced from above ground-no digging!
- Optional 3' pedestal or casted door logo
- 3/4" FIP inlet, designate depth of bury

Lead-Free
Stainless
Steel



Kupferle Product Videos
www.youtube.com/kupferle1857



Meets the Requirements of
NSF/ANSI 372



Optional
Pedestal



Required Evacuation
Hand Pump



Optional Casted
Door Logo

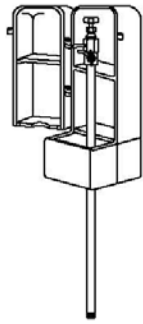
ECLIPSE™



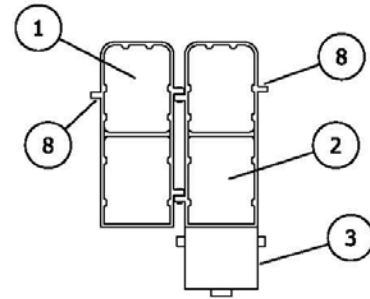
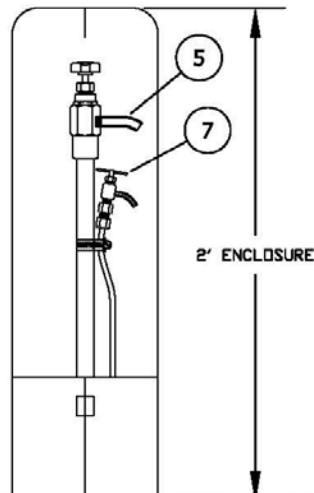
See Product Video at:
www.hydrants.com



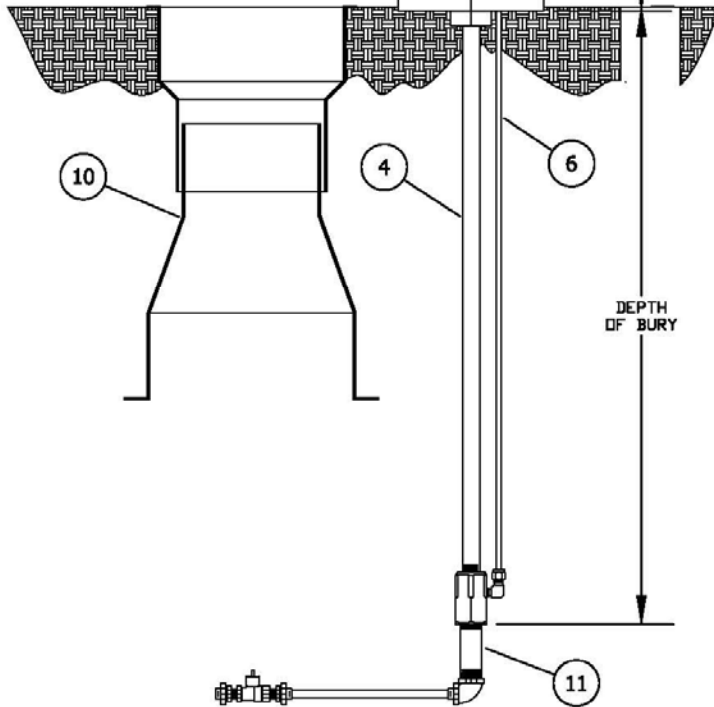
#88-SS SAMPLING STATION SPEC SHEET



1 3D VIEW
Scale: Not To Scale



2 ENCLOSURE OPEN VIEW
Scale: 3/4"=1'-0"



SAMPLING STATION SHALL BE _____' BURY, WITH A 3/4" FIP INLET, AND 7/16" UNTHREADED BLOW OFF AND SAMPLING BIBB.

STATION SHALL BE ENCLOSED IN A LOCKABLE, NON-REMOVABLE ALUMINUM BOX WITH HINGED OPENINGS.

WHEN OPEN, THE STATION SHALL REQUIRE NO KEY FOR OPERATION, AND ALL WATER FLOW SHALL PASS THRU AN ALL STAINLESS STEEL WATERWAY.

ALL WORKING PARTS SHALL BE OF STAINLESS STEEL AND SERVICABLE FROM ABOVE GROUND WITH NO DIGGING OR REPLACEMENT NEEDED.

A STAINLESS STEEL PET COCK WILL BE LOCATED BELOW THE SAMPLING BIBB TO ALLOW PUMPING OF ANY WATER REMAINING INSIDE THE STATION TO INSURE NON-FREEZING.

THE STATION SHALL BE MODEL #88-SS AS MANUFACTURED BY THE KUPFERLE FOUNDRY, ST. LOUIS MO. 63102 OR APPROVED EQUAL.

#88-SS SAMPLING STATION TO BE INSTALLED AT THE FOLLOWING LOCATIONS:

ITEM	ITEM / DESCRIPTION	NOTES
1	88 FRONT DOOR (COVER A)	
2	88 REAR DOOR (COVER B)	
3	88 BASE	2 PIECES
4	1/2" S.S. WATERWAY	
5	BLOW OFF & SAMPLING BIBB	
6	1/4" S.S. TUBING	
7	PET COCK	
8	LOCKING HOLE	
9	NOT USED	
10	VALVE BOX	BY OTHERS
11	3/4" S.S. NIPPLE	BY OTHERS

DD/MM/YY	ISSUED FOR REFERENCE
DATE	STATUS / REVISION

THIS DRAWING IS THE PROPERTY OF THE KUPFERLE FOUNDRY COMPANY. IT IS NOT TO BE USED OR DUPLICATED WITHOUT PERMISSION OF THE OWNER.

DRAWN	DCL
APPROVED	DCL
DATE	9/3/13
SCALE	1-1/2"=1'

Since 1857

KUPFERLE FOUNDRY COMPANY

2511 NORTH 9TH STREET, ST. LOUIS, MO 63102
314-231-8738 800-231-3990 FAX 314-231-2820
<http://www.hydrants.com>

DATE	STATUS / REVISION	#88-SS SAMPLING STATION	SHEET 1 OF 1
------	-------------------	-------------------------	--------------



2511 North 9th St.
St. Louis, MO 63102
800-231-3990
www.hydrants.com

Distributed by: