

#88WC-SS CUT SHEET

PARTS LIST

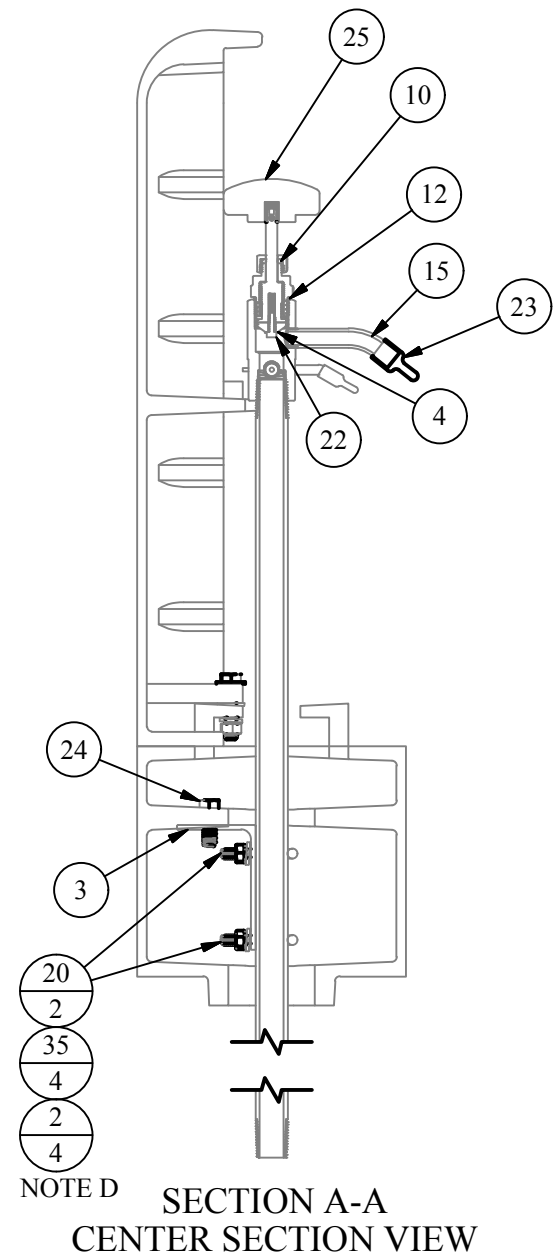
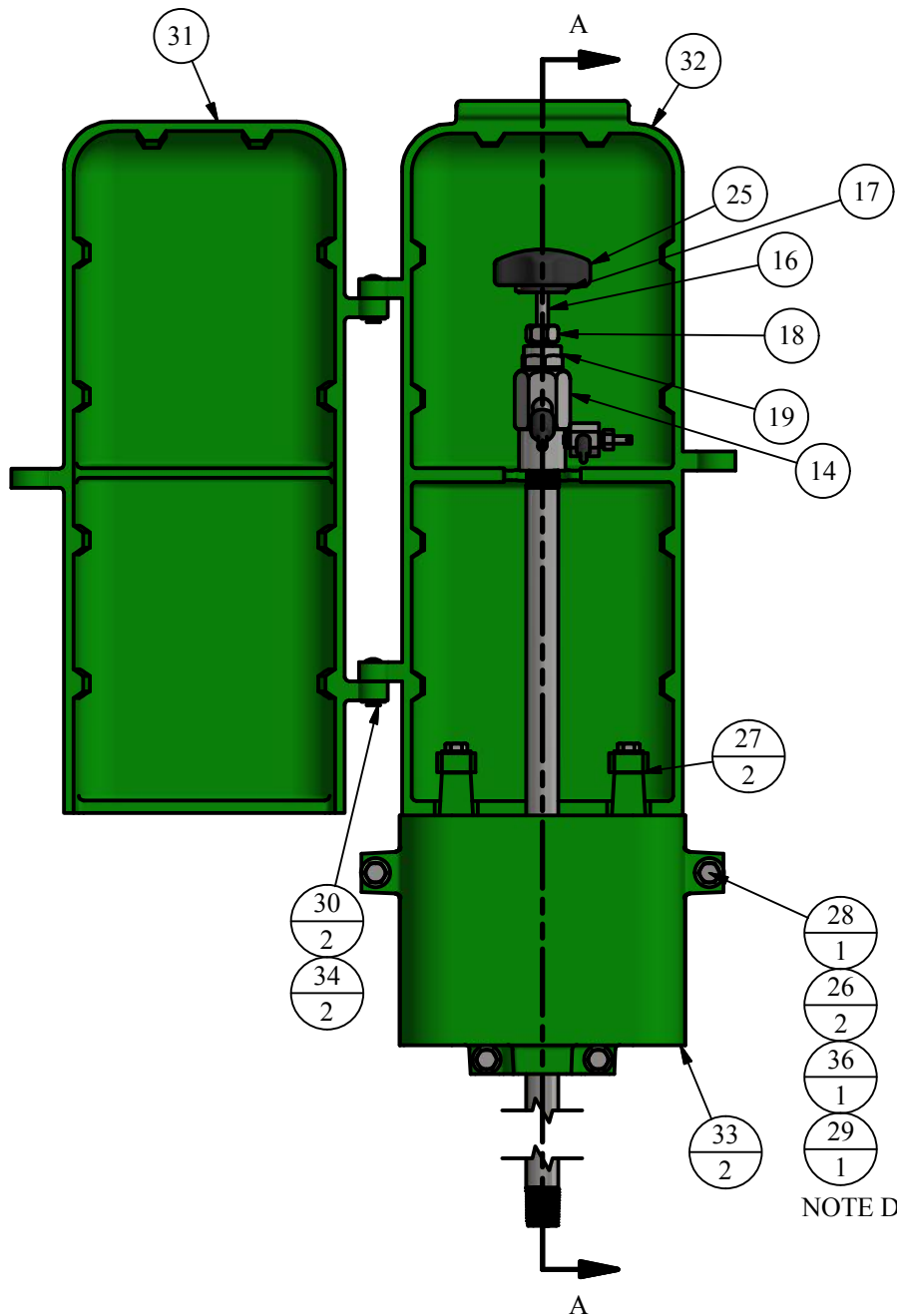
ITEM	QTY	PART NUMBER	DESCRIPTION	NOTES
1	3.708	1/2SSP	1/2" S.S. PIPE	B,C
2	4	345-N	NUT FOR U-BOLT	
3	0.25	4 ALUM ANGLE	MOUNTING ANGLE	
4	1	418-B	BEVELED BIBB WASHER	
5	1	66S01	PETCOCK BODY	
6	1	66S02	PETCOCK NUT	
7	1	66S03	PETCOCK PLUNGER	
8	1	66S04	HANDLE PIN	
9	1	66S05	PETCOCK NOZZLE	
10	1	66S07	O-RING (PACKING NUT)	
11	1	66S08	O-RING (PETCOCK NUT)	
12	1	66S09	O-RING (STEM)	
13	1	66S10	O-RING (PETCOCK PLUNGER)	
14	1	66S11	HEADSTOCK (WARM CLIMATE)	
15	1	66S12	NOZZLE	C,Q
16	1	66S13	STEM (WARM CLIMATE)	
17	1	66S14	HANDLE/KNOB PIN	C
18	1	66S15	PACKING NUT	
19	1	66S16	HEADSTOCK TOP NUT	
20	2	66S20	S.S. U-BOLT FOR 1/2" PIPE	
21	1	66S22	PETCOCK CAP	C
22	1	66S28	PLUNGER SCREW	
23	1	66S35	PLASTIC NOZZLE CAP	C
24	2	66S41	BOLT FOR BRACKET	
25	1	66S42	KNOB	C
26	10	88-14	ENCLOSURE FLAT WASHER	
27	2	88-15	3° WEDGE WASHER	
28	6	88-4	ENCLOSURE BOLT	
29	6	88-5	ENCLOSURE NUT	
30	2	88-6	RIVET FOR 88 COVER	C
31	1	88-A	"NEW STYLE" 88 COVER "A"	C,R
32	1	88-B	"NEW STYLE" 88 COVER "B"	C,R
33	2	88-C	"NEW STYLE" 88 BASE	C,R
34	2	9419	RIVET FLAT WASHER	
35	4	9458	LOCK WASHER FOR U-BOLT	
36	6	9465-88	ENCLOSURE LOCK WASHER	

OPTIONAL PARTS LIST

37	0	4FBE	PEDESTAL PIPE - 2.8 FT	R
38	0	678	COUPLING FOR 88 PEDESTAL	R
39	0	88-22	88 ENCLOSURE GASKET	
40	0	88-23	88 PEDESTAL BOLT	
41	0	88-A-LOGO	88 FRONT COVER WITH LOGO	A,C,R
24	2	66S41	BOLT FOR BRACKET	
23	1	66S35	PLASTIC NOZZLE CAP	C
2	4	345-N	NUT FOR U-BOLT	

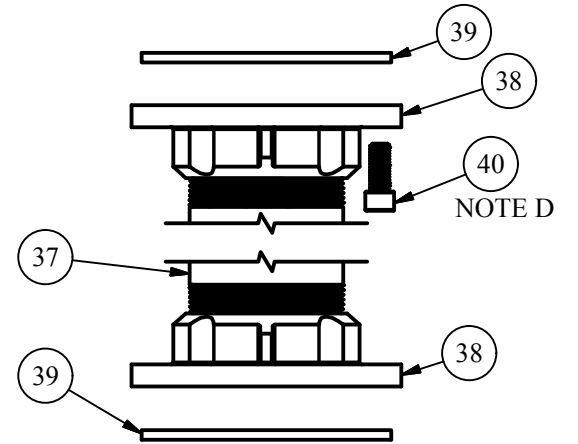
REPAIR KITS

PART NUMBER	DESCRIPTION	PARTS INCLUDED
X66-HEADSTOCK	HEADSTOCK ASSEMBLY COMPLETE	66S11 HEADSTOCK (1), 66S12 NOZZLE (1), 66S35 CAP (1)
X66-PETCOCK	STAINLESS STEEL PETCOCK ASSEMBLY	66S01 BODY (1), 66S08 PACKING NUT O-RING (1), 66S02 NUT (1), 66S03 PLUNGER (1), 66S10 PLUNGER O-RING (1), 66S04 PIN (1), 66S05 NOZZLE (1), 66S22 CAP (1)
X66-TOP SCREW	TOP SCREW ASSEMBLY COMPLETE	66S42 KNOB (1), 66S14 ROD PIN (1), 66S13 STEM (1), 66S15 PACKING NUT (1), 66S07 O-RING (1), 66S16 TOP NUT (1), 66S09 O-RING (1), 418-B SEAT (1), 66S28 SCREW (1)
X66WCRK	#88WC-SS, #66WC, & #66MB REPAIR KIT	418-B BIBB WASHER (1), 66S28 SCREW (1)
X881	ALUMINUM COVER COMPLETE	88-A FRONT COVER (1), 88-B BACK COVER (1), 88-6 RIVET (2), 9419 RIVET (2)
X882-66	ALUMINUM BASE COMPLETE	88-C BASE (2), 88-4 BOLT (4), 9465-88 LOCK WASHER (4), 88-6 NUT (4), 88-14 FLAT WASHER (8), 4 ALUM ANGLE (0.25), 66S41 BOLT (2)
X883-66	ALUMINUM COVER AND BASE COMPLETE	88-A FRONT COVER (1), 88-B BACK COVER (1), 88-C BASE (2), 88-6 RIVET (2), 88-4 BOLT (6), 9465-88 LOCK WASHER (6), 88-5 NUT (6), 88-14 FLAT WASHER (8), 88-15 WEDGE WASHER (2), 4 ALUM ANGLE (0.25), 66S41 BOLT (2), 9419 FLAT WASHER (2)

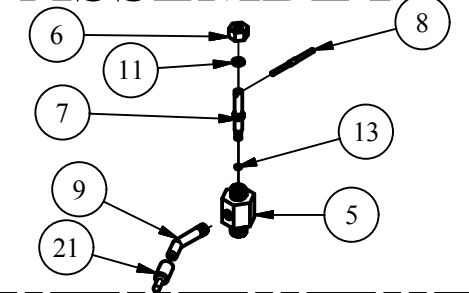


OPTIONAL PEDESTAL

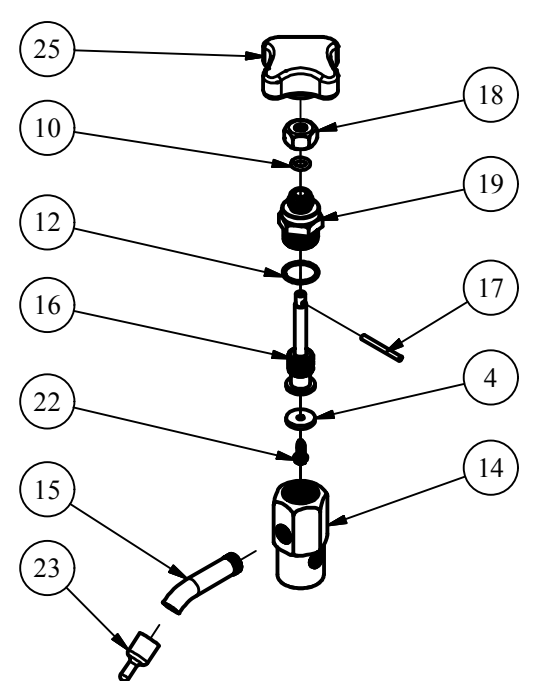
(3' STANDARD)



PETCOCK ASSEMBLY



HEADSTOCK ASSEMBLY



NOTE	DESCRIPTION
A	NOT SHOWN
B	PIPE LENGTH DEPENDENT ON DEPTH OF BURY
C	SOLD AS REPLACEMENT PART
D	BOLT ASSEMBLY USED ON ALL SIMILAR HOLES/BRACKETS
Q	REPLACEMENT NOZZLE REQUIRES BENDING IN THE FIELD AFTER INSTALLATION
R	POWDER COATING OPTIONS AVAILABLE

DISCLAIMER:
THIS DRAWING IS THE PROPERTY OF THE KUPFERLE FOUNDRY COMPANY. IT IS NOT TO BE USED OR DUPLICATED WITHOUT THE PERMISSION OF THE OWNER.

LEGEND

(X)	STANDARD TAG
(X/Y)	TAG WITH Y QUANTITY

DRAWN	SMS	10/30/2017
CHECKED	DCL	2/9/2018
MODIFIED		

SIZE	C
SCALE	1 / 5

DWG NO	#88WC-SS Cut_Rev0
--------	-------------------



2511 NORTH 9TH ST.
ST. LOUIS, MO 63102
1-800-231-3990

SHEET	1 OF 1	REV	0
-------	--------	-----	---