

Eclipse #88WC-SS Stainless Steel Sampling Station



- Designed for use in non-freezing warm climates
- All surgical stainless steel waterway and parts
- Lockable cast-aluminum enclosure
- 7/16" globe valve blow-off
- 1/8" globe valve sampling bibb
- Vinyl outlet caps to keep out contaminants
- Maintainable from above ground-no digging!
- Optional 3' pedestal
- Optional casted door logo

Lead-Free
Stainless
Steel



See Product Video at:
www.hydrants.com



Optional Casted
Door Logo



Optional
Pedestal



Close Up View



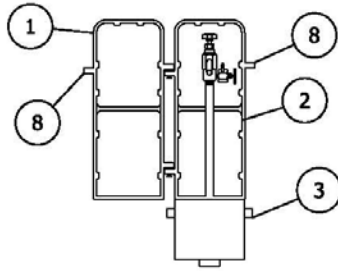
Kupferle Product Videos
www.youtube.com/kupferle1857

ECLIPSE™

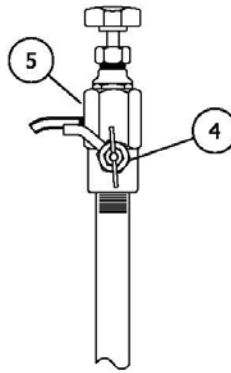


Meets the Requirements of
NSF/ANSI 372

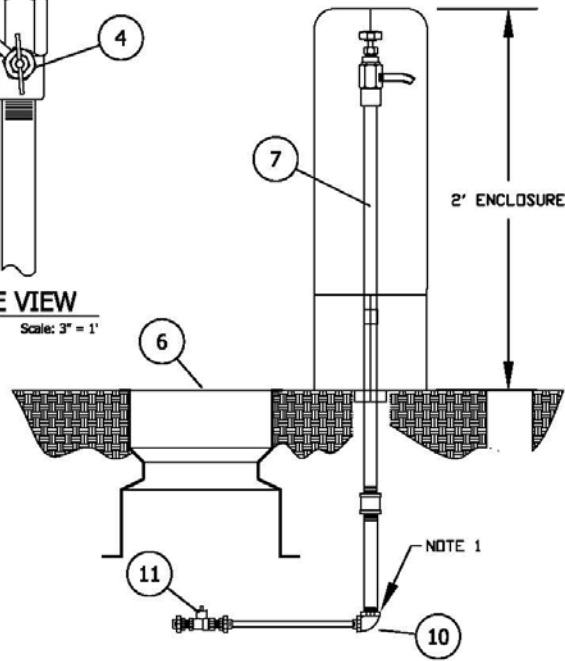
#88WC-SS SAMPLING STATION SPEC SHEET



1 ENCLOSURE OPEN VIEW
Scale: 3/4"=1'-0"



2 SIDE VIEW
Scale: 3"=1'



ITEM	ITEM / DESCRIPTION	NOTES
1	88 FRONT DOOR (COVER A)	
2	88 REAR DOOR (COVER B)	
3	88 BASE	2 PIECES
4	S.S. SAMPLING PETCOCK	
5	S.S. OPERATING VALVE	
6	VALVE BOX	
7	1/2" S.S. WATERWAY	
8	LOCKING HOLE	
9	NOT USED	
10	1/2" S.S. ELBOW	BY OTHERS
11	BALL VALVE CURBSTOP	BY OTHERS

88WC S.S. SAMPLING STATION SHALL BE STANDARD 1' BURY, WITH A 1/2" MIP INLET, AND 7/16" UNTHREADED BLOW-OFF, AND A SAMPLING BIBB.

STATION SHALL BE ENCLOSED IN A LOCKABLE, NON-REMOVABLE ALUMINUM BOX WITH HINGED OPENINGS.

THE STATION SHALL HAVE AN OPERATING VALVE THAT SHALL CONTROL THE FLOW OF WATER THRU 7/16" OUTLET, WITH 6 ROTATIONS OF THE HANDLE BEING FULLY OPEN. LOCATED BEFORE THE MAIN BLOW OFF VALVE, A SEPARATE STAINLESS STEEL GLOBE VALVE PETCOCK SHALL CONTROL THE DISCHARGE OF WATER VIA AN UNTHREADED 1/8" OUTLET TO ALLOW THE USER A DEDICATED SAMPLING POINT.

WHEN OPEN, THE STATION SHALL REQUIRE NO KEY FOR OPERATION.

ALL WORKING PARTS SHALL BE STAINLESS STEEL AND SERVICABLE FROM ABOVE GROUND WITH NO DIGGING OR REPLACEMENT NEEDED.

THE STATION SHALL BE MODEL #88WC-SS AS MANUFACTURED BY THE KUPFERLE FOUNDRY, ST. LOUIS MO. 63102 OR APPROVED EQUAL.

NOTES:

- 1.) IN CORROSIVE SOILS THE BURIED PIPE SHOULD BE PREPPED FOR ADDITIONAL RESISTANCE TO CORROSION. KUPFERLE RECOMMENDS SPRAYING ALL UNDERGROUND PIPING AND FITTINGS WITH BITUMINOUS SPRAY TAR, ALLOWING PROPER TIME TO DRY, AND THEN WRAPPING THE PARTS.
- 2.) IN SOME CONDITIONS CORROSION OF STAINLESS STEEL CAN OCCUR (EXPOSURE TO SALT WATER, DIRECT EXPOSURE TO STRONG CHLORIDES, ETC.). PROPER MAINTENANCE OF THE EXPOSED STAINLESS STEEL PARTS USING PROPER STAINLESS STEEL CLEANING AGENTS WILL INCREASE THE LIFESPAN OF THE HYDRANT. IF DESIRED, KUPFERLE CAN ALSO OFFER AN ADDITIONAL PASSIVATION PROCESS FOR ADDITIONAL CORROSION PROTECTION.

#88WC-SS SAMPLING STATION TO BE INSTALLED AT THE FOLLOWING LOCATIONS:

DD/MM/YY	ISSUED FOR REFERENCE
DATE	STATUS / REVISION

#88WC-SS SAMPLING STATION

	INITIALS	DATE
DRAWN	DCL	4/8/16
APPROVED	DCL	4/8/16
MODIFIED	n/a	n/a
		SCALE
		1.2"=1'



2511 NORTH 9TH STREET
ST. LOUIS, MO 63102
1-800-231-3990
FAX 314-231-2820
www.hydrants.com

SHEET 1 OF 1



2511 North 9th St.
St. Louis, MO 63102
800-231-3990
www.hydrants.com

Distributed by: