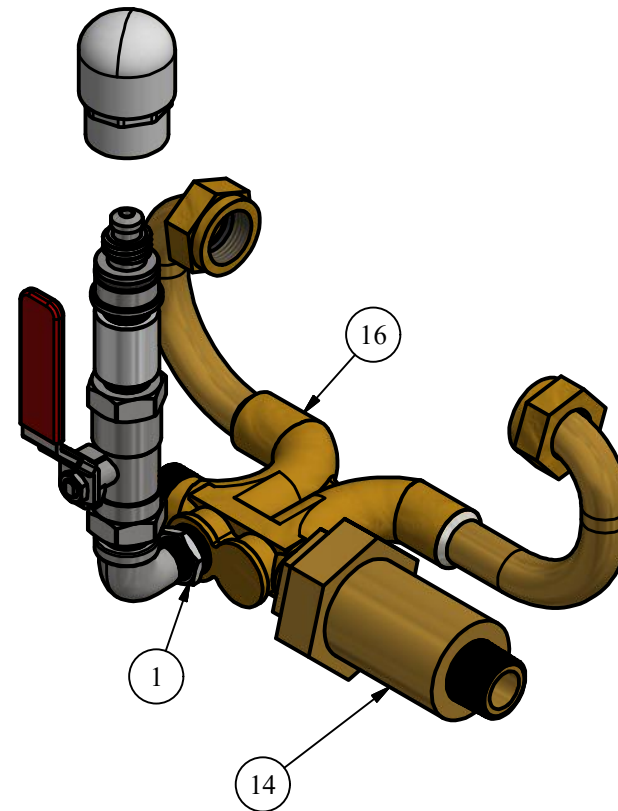
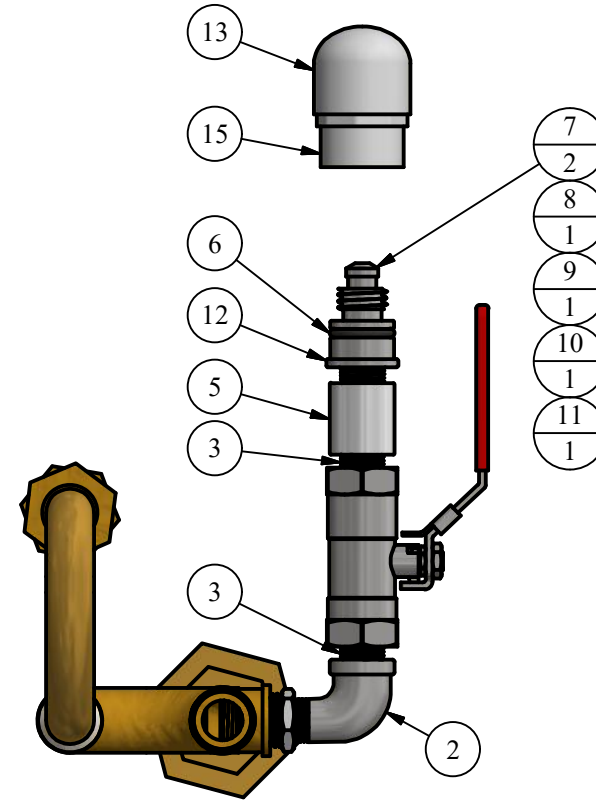


# #94-WM CUT SHEET

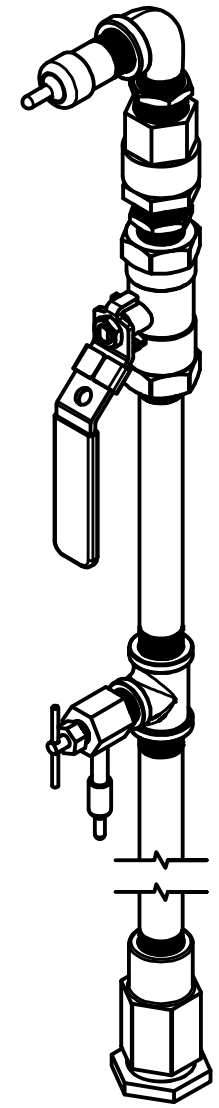
(5/8" x 1/2" RESETTER)

## PARTS LIST

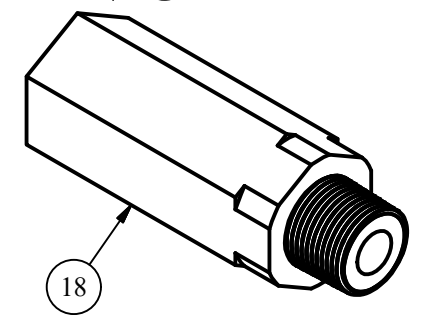
ITEM	QTY	PART NUMBER	DESCRIPTION	NOTES
1	1	1/2 x 3/8HBSS	1/2" x 3/8" S.S. HEX BUSHING	
2	1	3/890SLSS	3/8" S.S. STREET ELBOW	
3	2	3/8CNSS	3/8" S.S. CLOSE NIPPLE	
4	1	3/8SBV	3/8" S.S. BALL VALVE	C
5	1	3/8SSC	3/8" S.S. COUPLING	
6	1	88-12	PLUNGER O-RING	
7	2	92-C	RETAINING E-CLIP	
8	1	92-O	SAMPLING VALVE TOP O-RING	
9	1	92-OO	PLUNGER TIP O-RING	
10	1	92-P	SAMPLING VALVE PLUNGER PISTON	
11	1	92-S	SPRING	
12	1	92-V	SAMPLING VALVE BODY	
13	1	94-A	3/4" SCH. 40 PVC CAP	
14	1	94-D-3	BRASS DUAL CHECK VALVE	C
15	1	94-E	3/4" SCH. 40 PVC ADAPTER	
16	1	94-R-3	METER RESETTER (5/8" x 1/2")	C
OPTIONAL/REPAIR PARTS LIST				
17	0	94-I-2	BRASS IDLER (5/8" x 1/2")	C
18	0	95WM-I-2	PVC IDLER (5/8" x 1/2")	C



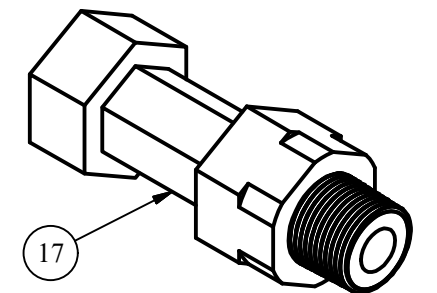
## Z94PR ASSEMBLY (NOTE T)



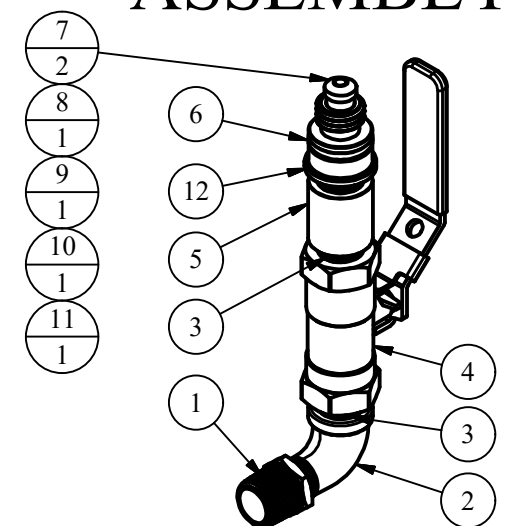
## OPTIONAL 95WM-I-2 PVC IDLER



## OPTIONAL 94-I-2 BRASS IDLER



## X94WM-ASSY ASSEMBLY



## REPAIR KITS

PART NUMBER	DESCRIPTION	PARTS INCLUDED
X94WM-ASSY	94WM SAMPLING ASSEMBLY	1/2 X 3/8HBSS BUSHING (1), 3/890SLSS ELBOW (1), 3/8SSCN CLOSE NIPPLE (2), 3/8SBV VALVE (1), 3/8SSC COUPLING (1), X92-V VALVE ASSEMBLY (1), X94WM-CAP CAP ASSEMBLY (1)
X94WM-CAP	94WM CAP COMPLETE	94-A CAP (1), 94-E ADAPTER (1)
X92-VALVE	VALVE ASSEMBLY COMPLETE	92-V VALVE (1), 88-12 O-RING (1), 92-P PISTON (1), 92-S SPRING (1), 92-O O-RING (1), 92-OO O-RING (1), 92-C CLIP (2)
Z94WM-93WM-CONV	94WM VALVE TO CONVERT 93WM	X92-VALVE VALVE ASSEMBLY (1), 3/8SSC COUPLING (1), X94WM-CAP CAP ASSEMBLY (1)

NOTE	DESCRIPTION
A	NOT SHOWN
C	SOLD AS REPLACEMENT PART
T	SEE Z94PR CUT SHEET FOR SAMPLING ROD INFORMATION

**DISCLAIMER:**  
THE DRAWING IS THE PROPERTY OF THE KUPFERLE FOUNDRY COMPANY. IT IS NOT TO BE USED OR DUPLICATED WITHOUT THE PERMISSION OF THE OWNER.

## LEGEND

- (X) → STANDARD TAG
- (X/Y) → TAG WITH Y QUANTITY

DRAWN	RPS	9/30/2020
CHECKED	DCL	10/8/2020
MODIFIED		

SIZE	SCALE
C	1/3

DWG NO	#94-WM Cut_Rev0
--------	-----------------



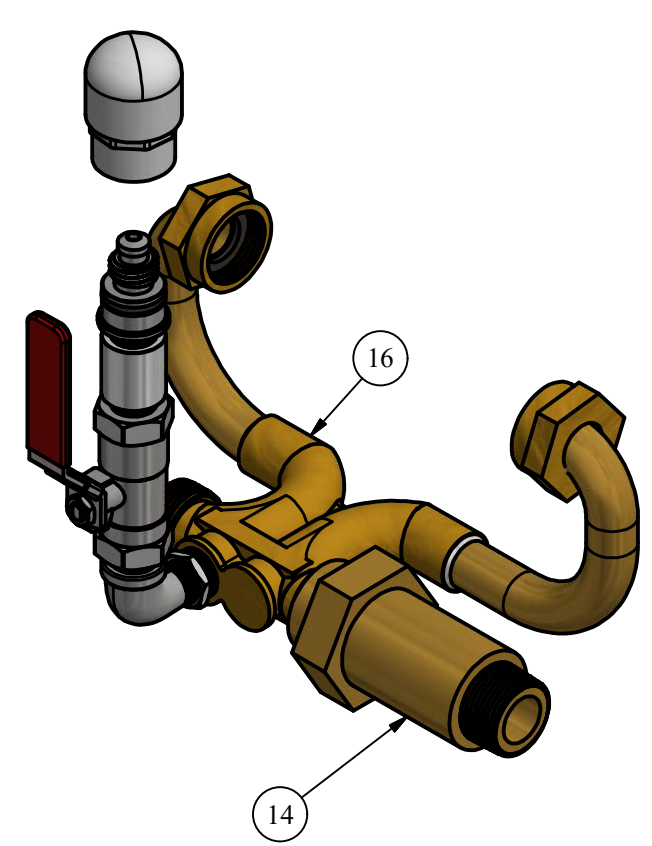
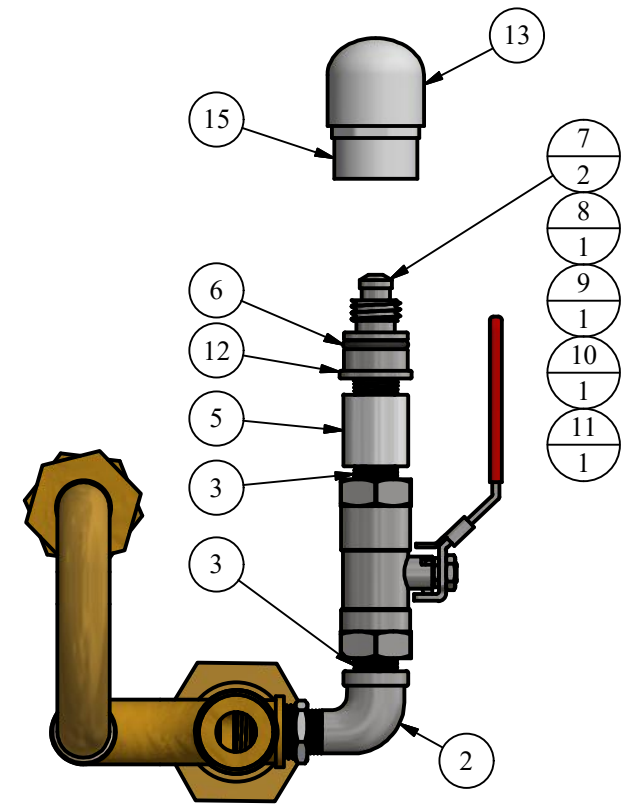
SHEET	REV
1 OF 3	0

# #94-WM CUT SHEET

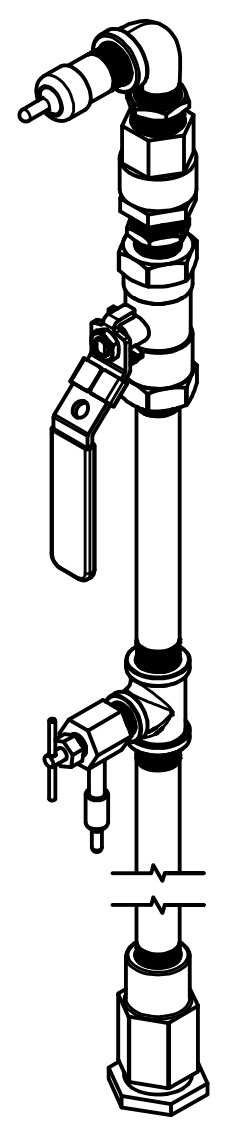
(5/8" x 3/4" RESETTER)

## PARTS LIST

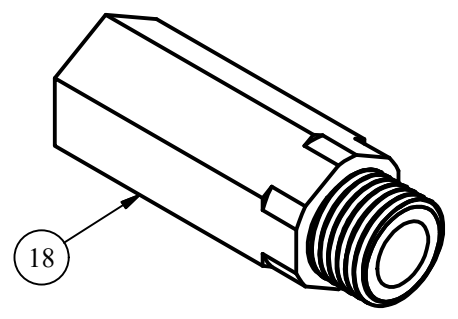
ITEM	QTY	PART NUMBER	DESCRIPTION	NOTES
1	1	1/2 x 3/8HBSS	1/2" x 3/8" S.S. HEX BUSHING	
2	1	3/890SLSS	3/8" S.S. STREET ELBOW	
3	2	3/8CNSS	3/8" S.S. CLOSE NIPPLE	
4	1	3/8SBV	3/8" S.S. BALL VALVE	C
5	1	3/8SSC	3/8" S.S. COUPLING	
6	1	88-12	PLUNGER O-RING	
7	2	92-C	RETAINING E-CLIP	
8	1	92-O	SAMPLING VALVE TOP O-RING	
9	1	92-OO	PLUNGER TIP O-RING	
10	1	92-P	SAMPLING VALVE PLUNGER PISTON	
11	1	92-S	SPRING	
12	1	92-V	SAMPLING VALVE BODY	
13	1	94-A	3/4" SCH. 40 PVC CAP	
14	1	94-D	BRASS DUAL CHECK VALVE	C
15	1	94-E	3/4" SCH. 40 PVC ADAPTER	
16	1	94-R	METER RESETTER (5/8" x 3/4")	C
OPTIONAL/REPAIR PARTS LIST				
17	0	94-I	BRASS IDLER (5/8" x 3/4")	C
18	0	95WM-I	PVC IDLER (5/8" X 3/4")	C



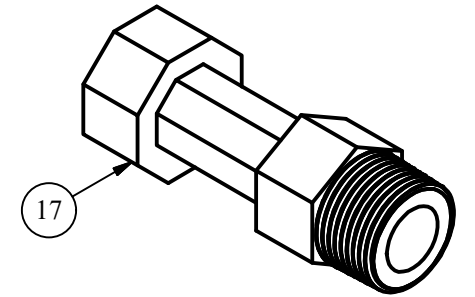
## Z94PR ASSEMBLY (NOTE T)



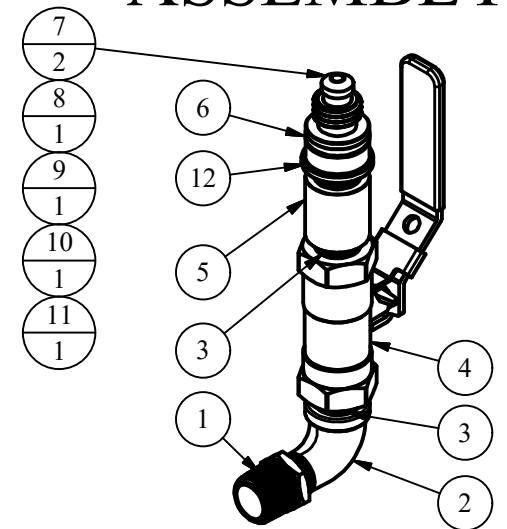
## OPTIONAL 95WM-I PVC IDLER



## OPTIONAL 94-I BRASS IDLER



## X94WM-ASSY ASSEMBLY



## REPAIR KITS


PART NUMBER	DESCRIPTION	PARTS INCLUDED
X94WM-ASSY	94WM SAMPLING ASSEMBLY	1/2 X 3/8HBSS BUSHING (1), 3/890SLSS ELBOW (1), 3/8SSCN CLOSE NIPPLE (2), 3/8SBV VALVE (1), 3/8SSC COUPLING (1), X92-V VALVE ASSEMBLY (1), X94WM-CAP CAP ASSEMBLY (1)
X94WM-CAP	94WM CAP COMPLETE	94-A CAP (1), 94-E ADAPTER (1)
X92-VALVE	VALVE ASSEMBLY COMPLETE	92-V VALVE (1), 88-12 O-RING (1), 92-P PISTON (1), 92-S SPRING (1), 92-O O-RING (1), 92-OO O-RING (1), 92-C CLIP (2)
Z94WM-93WM-CONV	94WM VALVE TO CONVERT 93WM	X92-VALVE VALVE ASSEMBLY (1), 3/8SSC COUPLING (1), X94WM-CAP CAP ASSEMBLY (1)

NOTE	DESCRIPTION
A	NOT SHOWN
C	SOLD AS REPLACEMENT PART
T	SEE Z94PR CUT SHEET FOR SAMPLING ROD INFORMATION

**DISCLAIMER:**  
THE DRAWING IS THE PROPERTY OF THE KUPFERLE FOUNDRY COMPANY. IT IS NOT TO BE USED OR DUPLICATED WITHOUT THE PERMISSION OF THE OWNER.

## LEGEND

- (X) → STANDARD TAG
- (X/Y) → TAG WITH Y QUANTITY

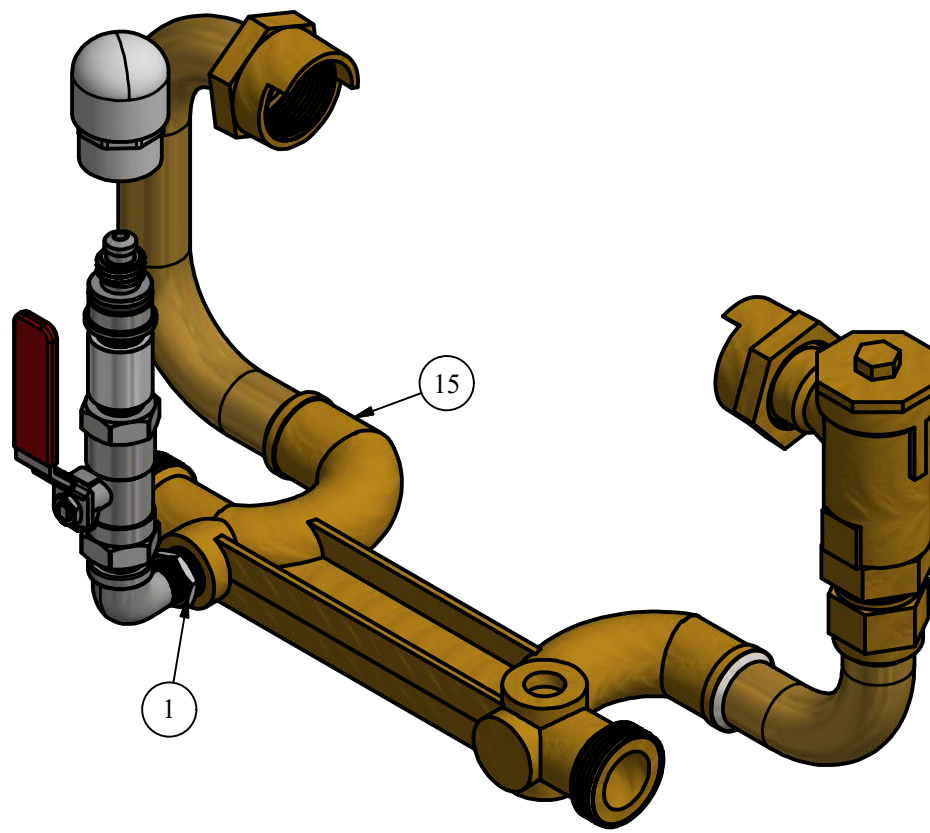
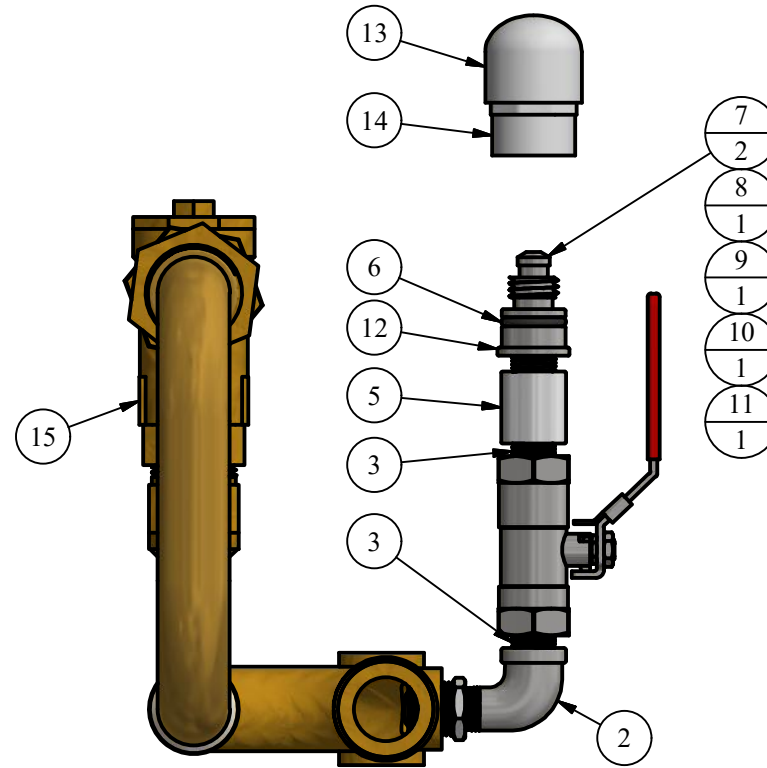
DRAWN	RPS	9/30/2020	 Since 1857 2511 NORTH 9TH ST. ST. LOUIS, MO 63102 1-800-231-3990	
CHECKED	DCL	10/8/2020		
MODIFIED				
SIZE	C	SCALE		1/3
DWG NO	#94-WM Cut_Rev0		SHEET	2 OF 3
			REV	0

# #94-WM CUT SHEET

(1" RESETTER)

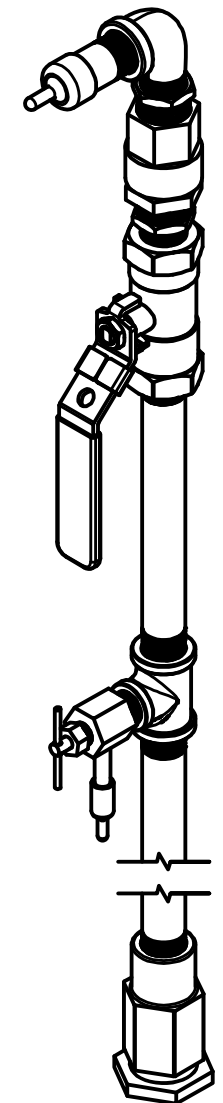
## PARTS LIST

ITEM	QTY	PART NUMBER	DESCRIPTION	NOTES
1	1	1/2 x 3/8HBSS	1/2" x 3/8" S.S. HEX BUSHING	
2	1	3/890SLSS	3/8" S.S. STREET ELBOW	
3	2	3/8CNSS	3/8" S.S. CLOSE NIPPLE	
4	1	3/8SBV	3/8" S.S. BALL VALVE	C
5	1	3/8SSC	3/8" S.S. COUPLING	
6	1	88-12	PLUNGER O-RING	
7	2	92-C	RETAINING E-CLIP	
8	1	92-O	SAMPLING VALVE TOP O-RING	
9	1	92-OO	PLUNGER TIP O-RING	
10	1	92-P	SAMPLING VALVE PLUNGER PISTON	
11	1	92-S	SPRING	
12	1	92-V	SAMPLING VALVE BODY	
13	2	94-A	3/4" SCH. 40 PVC CAP	
14	2	94-E	3/4" SCH. 40 PVC ADAPTER	
15	1	94-R-2	METER RESETTER (1")	C



## Z94PR ASSEMBLY

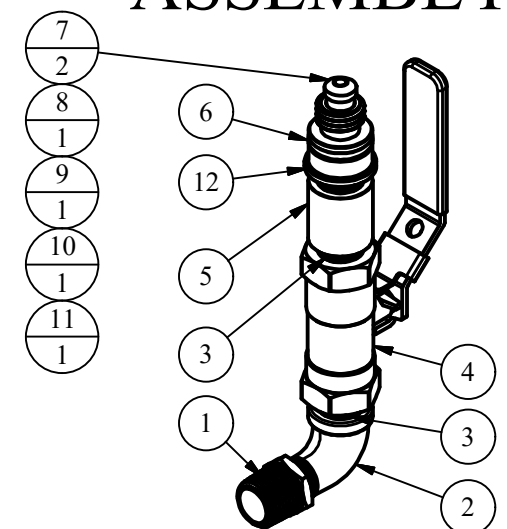
(NOTE T)



## REPAIR KITS

PART NUMBER	DESCRIPTION	PARTS INCLUDED
X94WM-ASSY	94WM SAMPLING ASSEMBLY	1/2 X 3/8HBSS BUSHING (1), 3/890SLSS ELBOW (1), 3/8SSCN CLOSE NIPPLE (2), 3/8SBV VALVE (1), 3/8SSC COUPLING (1), X92-V VALVE ASSEMBLY (1), X94WM-CAP CAP ASSEMBLY (1)
X94WM-CAP	94WM CAP COMPLETE	94-A CAP (1), 94-E ADAPTER (1)
X92-VALVE	VALVE ASSEMBLY COMPLETE	92-V VALVE (1), 88-12 O-RING (1), 92-P PISTON (1), 92-S SPRING (1), 92-O O-RING (1), 92-OO O-RING (1), 92-C CLIP (2)
Z94WM-93WM-CONV	94WM VALVE TO CONVERT 93WM	X92-VALVE VALVE ASSEMBLY (1), 3/8SSC COUPLING (1), X94WM-CAP CAP ASSEMBLY (1)

## X94WM-ASSY ASSEMBLY



NOTE	DESCRIPTION
A	NOT SHOWN
C	SOLD AS REPLACEMENT PART
T	SEE Z94PR CUT SHEET FOR SAMPLING ROD INFORMATION

**DISCLAIMER:**  
THE DRAWING IS THE PROPERTY OF THE KUPFERLE FOUNDRY COMPANY. IT IS NOT TO BE USED OR DUPLICATED WITHOUT THE PERMISSION OF THE OWNER.

## LEGEND

- (X) → STANDARD TAG
- (X/Y) → TAG WITH Y QUANTITY

DRAWN	RPS	9/30/2020
CHECKED	DCL	10/8/2020
MODIFIED		

SIZE	SCALE
C	1 / 3

DWG NO	#94-WM Cut_Rev0
--------	-----------------



SHEET	REV
3 OF 3	0