

# Eclipse 9400

Permanent Automatic Flushing Station for Any Climate

## Why Automatic Flushing?

- Keep your dead end water fresh and safe for consumption
- Save time and labor by eliminating the need for manual flushing
- Save water by flushing at lower volumes than hydrants
- Flush at night when demand is low

## Product Details:

- Permanent 2" Automatic Flushing Station (1" also available)
- Housed in UV-resistant enclosure
- Discharges to surface - ideal for more remote areas
- Adjustable flow rates from roughly 40-200 GPM (site/pressure dependent)
- Digital programmable controller (standard) or bluetooth controller (optional)
- Program up to 12 flush cycles per day and up to 6 hours per flush
- Fully serviceable from above ground



Kupferle | 800-231-3990 | [hydrants.com](http://hydrants.com)





**Digital Controller**



**Bluetooth Controller**

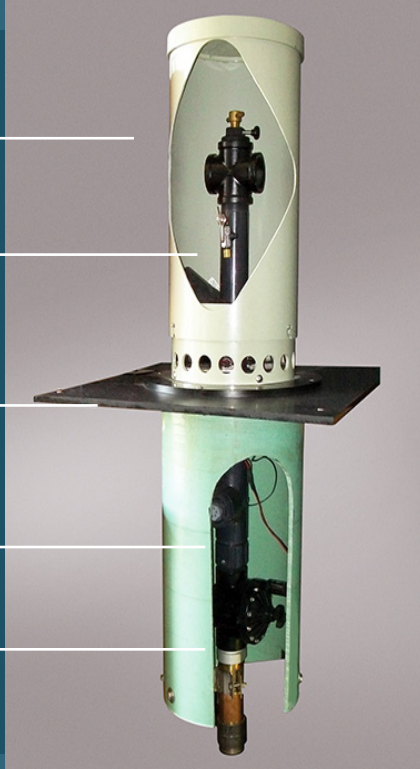
**Adjustable Flow Control**

**Stainless Steel Sampling Bibb**

**Diffusion/Splash Plate**

**Spring-Loaded Drain**

**2" Solenoid Operated Valve**



# #9400 AUTOMATIC FLUSHING DEVICE

#9400 Automatic Flushing device shall be installed in the following locations:

---



---



---



---



---



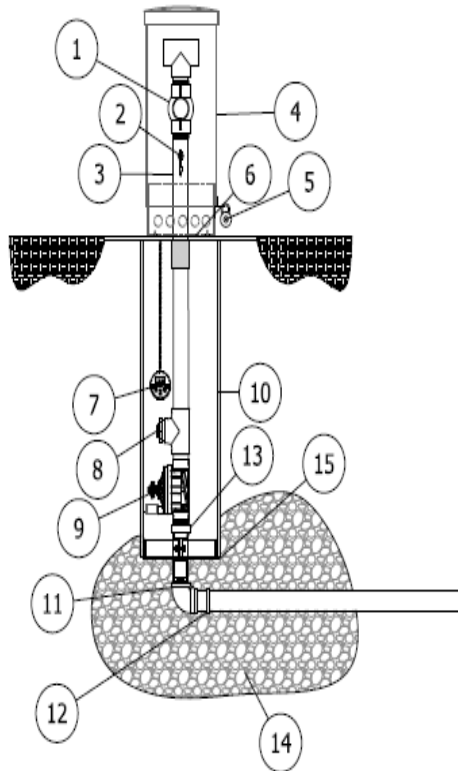
---



---



---



ITEM	ITEM / DESCRIPTION	OPTIONAL	BY OTHERS
1	2" WATER FLOW RESTRICTOR		
2	SAMPLING POINT		
3	2" PVC PIPE		
4	UV RESISTANT LOCKABLE DOME ENCLOSURE		
5	LOCKING POINT		
6	REMOVABLE ACCESS PLATE		
7	CONTROLLER		
8	AUTOMATIC DRAIN		
9	2" AUTOMATIC VALVE		
10	SDR 35 SEWER PIPE		
11	2" SS MIP INLET	X	X
12	2" MIP x COMPRESSION ADAPTER		X
13	O-RING CONNECTOR		
14	1" CLEAN ROCK		X
15	DEBRIS PLATE		