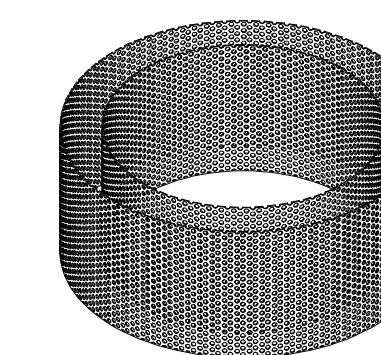


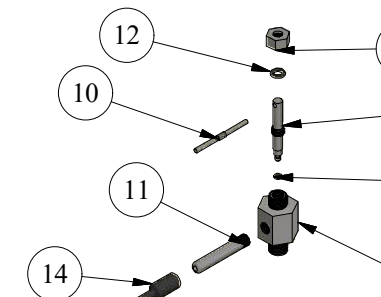
# PATENTED

# 9400 CUT SHEET

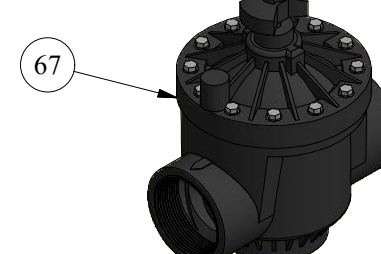
## OPTIONAL 9469 DECHLORINATION BASKET



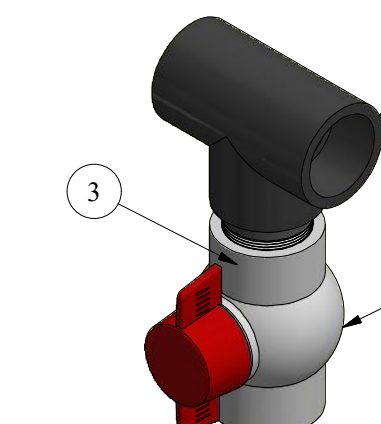
## PETCOCK ASSEMBLY



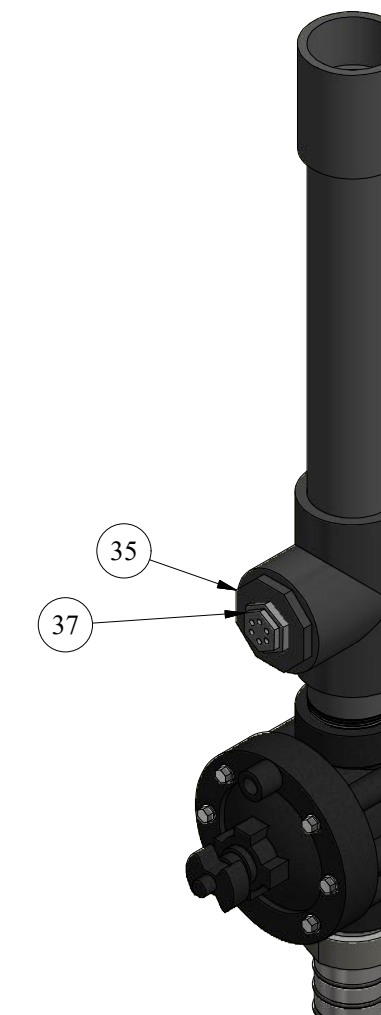
## 9516 PGV VALVE



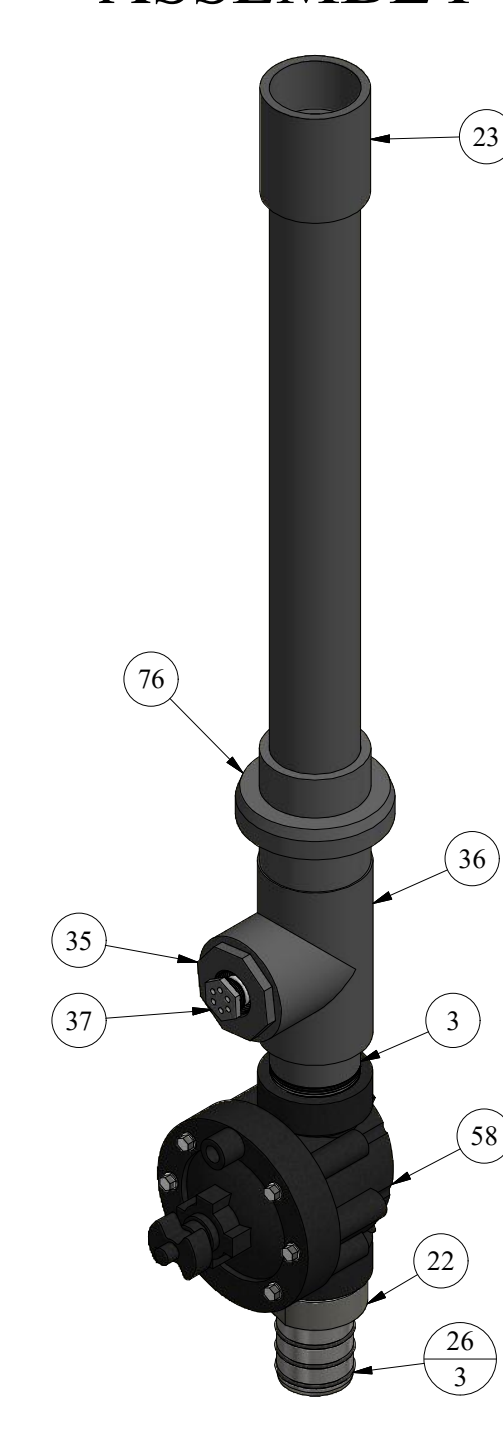
## X9400-BVDISCHARGE



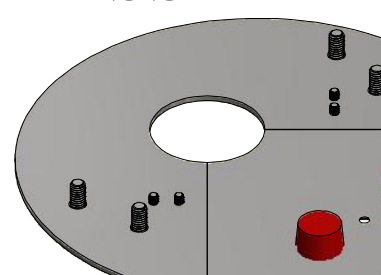
## X9400-LOWER-3' ASSEMBLY



## X9400-LOWER-# ASSEMBLY



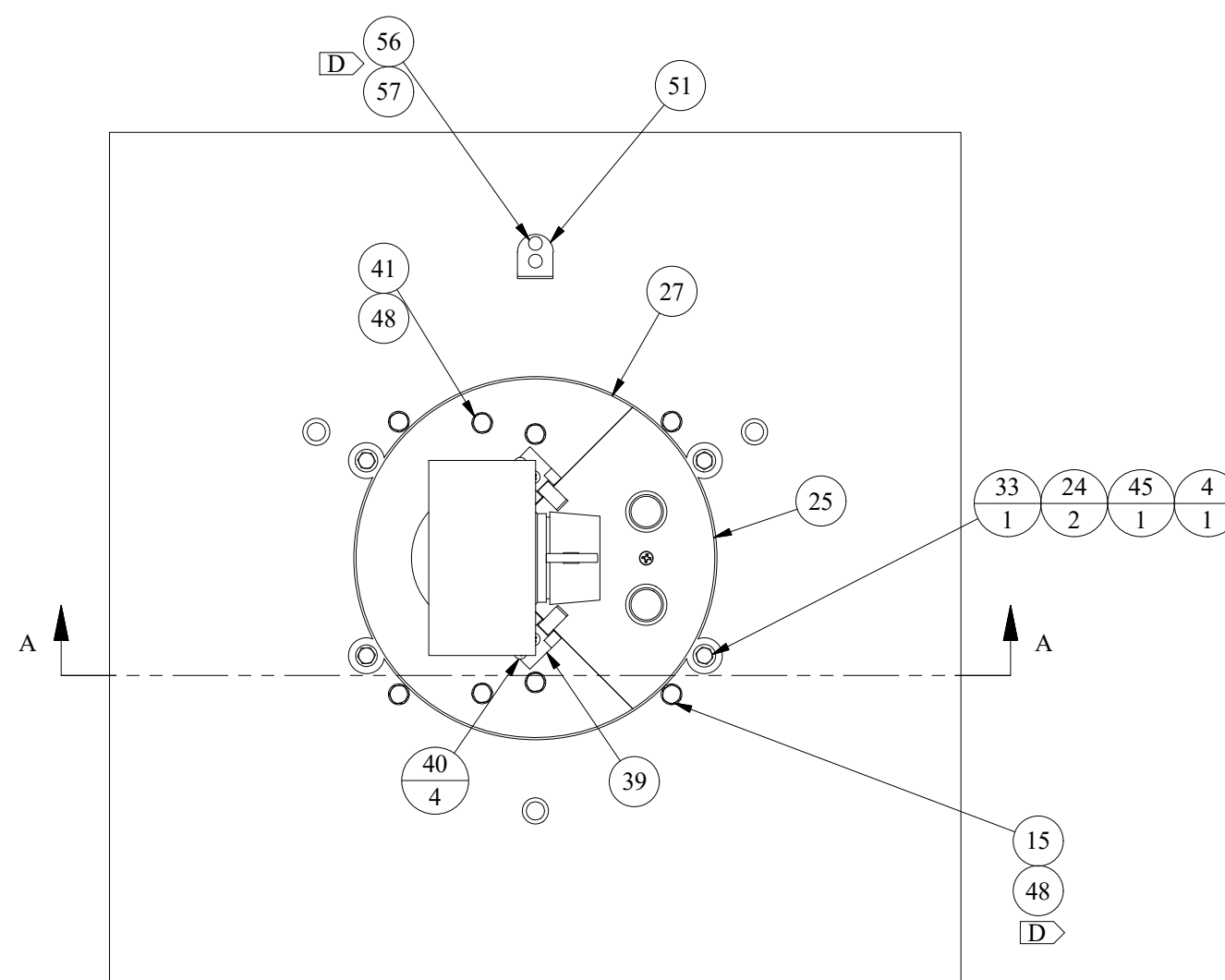
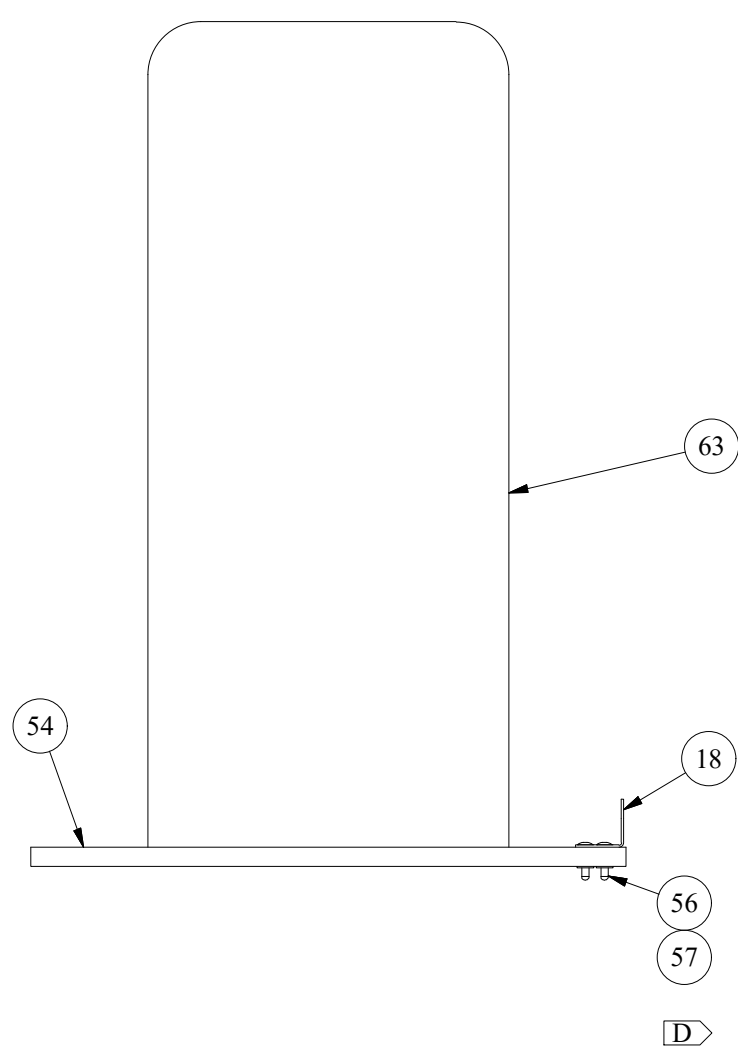
## X9400-ACC. PLATE ASSEMBLY



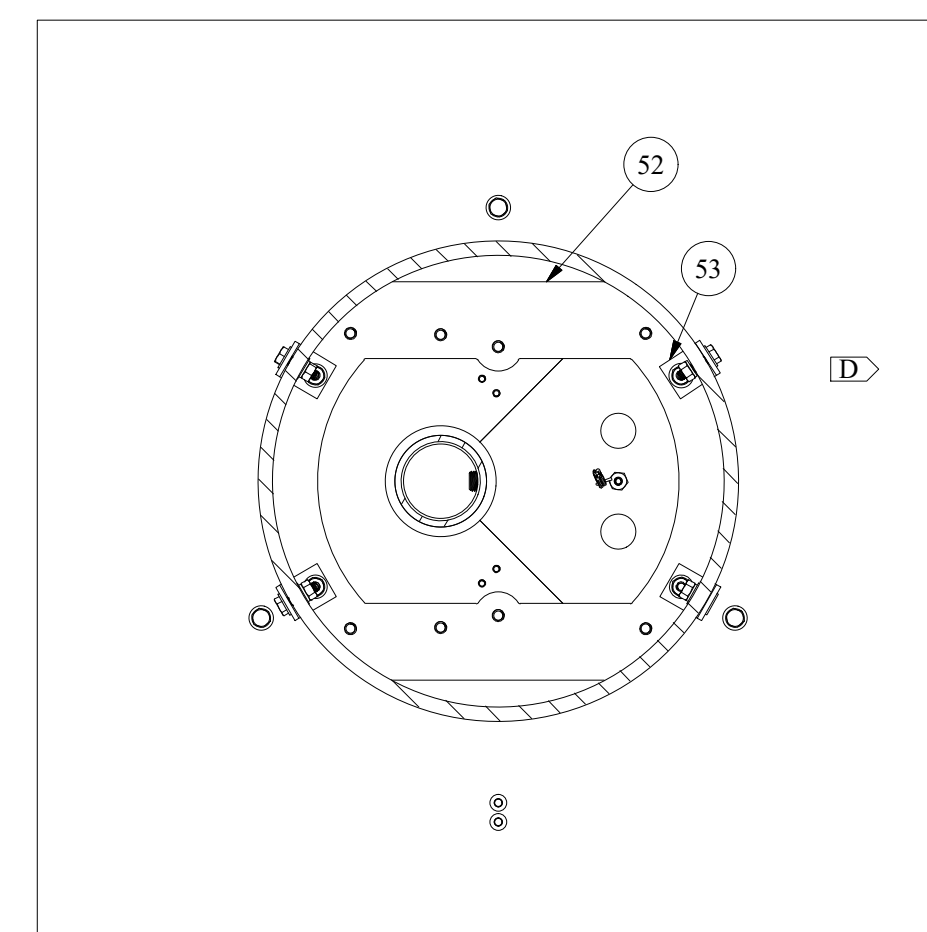
PARTS LIST				
ITEM	QTY	PART NUMBER	DESCRIPTION	NOTES
1	1	1/4 X 1/8SHB	1/4" x 1/8" S.S. HEX BUSHING	
2	6	10805	BOLT FOR VALVE BRACKET	
3	20.500 in	2PVCPC	2" SCH. 80 PVC PIPE	
4	10	345-N	S.S. NUT	
5	1	346-N	CONTROLLER BRACKET NUT	
6	1	346-S	BOLT FOR CONTROLLER MOUNT	
7	1	66S01	PETCOCK BODY	P
8	1	66S02	PETCOCK NUT	P
9	1	66S03	PETCOCK PLUNGER	P
10	1	66S04	HANDLE PIN	P
11	1	66S05	PETCOCK NOZZLE	P
12	1	66S08	O-RING (PETCOCK PACKING NUT)	P
13	1	66S10	O-RING (PETCOCK STEM)	P
14	1	66S22	PETCOCK CAP	C
15	4	66S41	BOLT FOR DIFFUSER PLATE MOUNT	
16	4	77Q	S.S. NUT FOR VALVE CYLINDER BRACKET	
17	4	77W	WASHER FOR VALVE CYLINDER BRACKET	
18	1	82-LK1	LOCKING TAB FOR BOLLARD RING	
19	6	9400A-11	S.S. SCREW FOR BOLLARD MOUNT	
20	32.000 in	9401	BARREL PROTECTOR (12" PIPE)	
21	1	9402	PLATFORM FOR 9400	C
22	1	9405	VALVE PISTON	
23	1	9406	2" SCH. 80 PVC COUPLING	
24	19	9419	S.S. FLAT WASHER	
25	1	9420-O	ACCESS PLATE (REMOVABLE)	
26	3	9421	VALVE PISTON O-RING	C
27	1	9428-O	ACCESS PLATE (BASE)	
28	1	9430-L	VALVE CYLINDER BRACKET - LONG	
29	1	9430-S	VALVE CYLINDER BRACKET - SHORT	
30	1	9431	CONTROLLER HOLDER COVER	
31	1	9433	SOLENOID COVER	
32	1	9434	CONTROLLER COVER BUTTON	C
33	12	9438	S.S. MOUNTING BOLT	
34	2	9444	CAPS FOR REMOVABLE ACCESS PLATE	C
35	1	9446	2 x 1 in SCH 80 AUTODRAIN BUSHING	
36	2	9447	2" SCH. 80 PVC TEE	
37	1	9448	AUTO DRAIN	
38	1	9449	SPRING FOR 3" OR LESS D.O.B.	
39	2	9451	HINGE CLAMP	
40	4	9452	HINGE CLAMP SCREW	
41	4	9453	S.S. BOLT FOR ACCESS PLATE	
42	1	9455	CHAIN	
43	1	9456	CONTROLLER HOLDER	
44	2	9457	S.S. LOCK NUT FOR VALVE CYLINDER MOUNT	
45	11	9458	1/4" S.S. LOCK WASHER	
46	4	9461	LOCK WASHER FOR VALVE BRACKET	
47	2	9464	S.S. "S" HOOK	
48	8	9465	S.S. LOCK WASHER FOR ACCESS PLATE	
49	13.000 in	9473	2" SCH. 80 PVC PIPE WITH THREADS	
50	1	9476	VALVE CYLINDER	C
51	1	9490	LOCKING TAP FOR 9400 BOLLARD	
52	1	9491	STAINLESS TOP PLATE FOR 9400	
53	4	9492	ANGLE BRACKETS FOR TOP PLATE	
54	1	9493	RING FOR 8IN BOLLARD	
55	3	9494	PIN FOR 9400 BOLLARD	C
56	4	9495	S.S. RIVET	A
57	4	9496	S.S. BACKUP WASHER	
58	1	9515	2" ICV VALVE	C
59	1	9517	VALVE CONTROLLER	C
60	2	9518	9 VOLT BATTERY	A
61	1	9808T	2IN PVC BALL VALVE TxT	
62	1	9809	DEBRIS PLATE	C
63	1	B08GR	GREEN 8 INCH BOLLARD	

PGV REPAIR PARTS LIST (12 BOLTS)				
*				
*	HV412700	9516 FLOW CONTROL HANDLE	A.C	
*	HV414200	9516 VALVE SPRING	A.C	
*	HV414600	9516 FLOW CONTROL ASSEMBLY	A.C	
*	HV414800	9516 DIAPHRAGM SUPPORT	A.C	
*	HV415400	VALVE PLUG O-RING	A.C	
*	HV415500	9516 BONNET	A.C	
*	HV415600	9516 DIAPHRAGM ASSEMBLY	A.C	
*	HV419300	BODY PLUG	A.C	
*	HV433300	9516 VALVE BODY	A.C	
*	HV472800	9516 BONNET SCREW	A.C	
*	HV561500	9515/9516 BLEED SCREW ASSEMBLY	A.C	

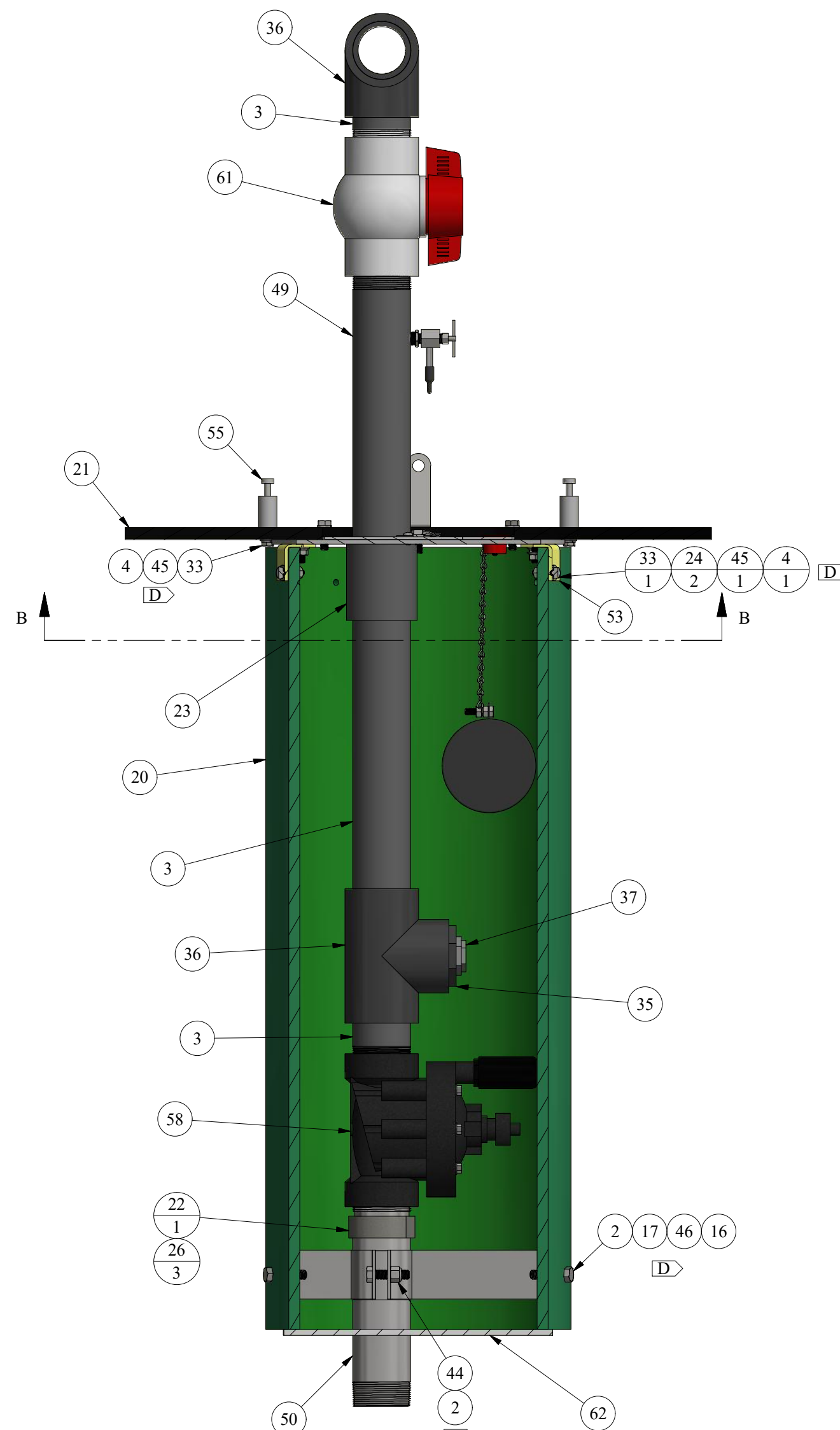
OPTIONS AND REPAIR KITS		
PART NUMBER	DESCRIPTION	PARTS INCLUDED
X380600	9515 BONNET COMPLETE	HV380600 SOLENOID (1), HV561200 KNOB (1), HV561500 BLEED SCREW (1), HV371600 E-CLIP (1), HV560800 FLOW CONTROL (1)
X415500	9516 BONNET COMPLETE	HV145500 BONNET (1), HV412700 KNOB (1), HV561500 BLEED SCREW (1), HV414600 FLOW CONTROL (1)
X458200	SOLENOID WITH CONNECTORS (SPECIFY DEPTH OF BURY)	HV458200 SOLENOID (1), 9411 WIRE PINS (2), 9413 RECEPTACLE (1), 9415 RED WIRE (SPECIFY D.O.B.), 9416 BLACK WIRE (SPECIFY D.O.B.), 9417 BUTT SPLICE (2), 9418 HEAT SHRINK (.25), 9445 HEAT SHRINK (.25)
X66-PETCOCK	STAINLESS STEEL PETCOCK ASSEMBLY	66S01 BODY (1), 66S08 PACKING NUT O-RING (1), 66S02 NUT (1), 66S03 PLUNGER (1), 66S10 PLUNGER O-RING (1), 66S04 NOZZLE (1), 66S22 CAP (1)
X9400-ACC. PLATE	ACCESS PLATE COMPLETE	9420-O ACCESS PLATE REMOVABLE (1), 9444 CAP (2), 9428-O ACCESS PLATE BASE (1), 9451 HINGE CLAMP (2), 9452 SCREW (4), 9453 BOLT (2), 9465 LOCK WASHER (2), 346-S-9400 SCREW (1), 9464 S-HOOK (1), 346-N-9400 NUT (1)
X9400-AUTO DRAIN	AUTO DRAIN ASSEMBLY FOR 3" D.O.B. OR LESS	9447 TEE (1), 9446 BUSHING (1), 9448 AUTO DRAIN (1), 9449 SPRING (1), 9407 ADAPTER (1)
X9400-LOWER-#	9400 BELOW GRADE ASSEMBLY (EACH 6" D.O.B. 4" OR GREATER)	2PVCPC 2" SCH. 80 PVC PIPE (1.75" FOR DOB), 9406 PVC COUPLING (1), 9447 TEE (1), 2PVCU UNION (1), 9446 BUSHING (1), 9448 AUTO DRAIN (1), 9515 2" ICV VALVE (1), 9405 VALVE PISTON (1), 9421 VALVE PISTON O-RING (3), 9449 SPRING (1)
X9400-LOWER-3'	9400 BELOW GRADE OPERATING PARTS (3" BURY OR LESS)	2PVCPC 2" SCH. 80 PVC PIPE (1.75), 9406 PVC COUPLING (1), 9447 TEE (1), 9446 BUSHING (1), 9448 AUTO DRAIN (1), 9515 2" ICV VALVE (1), 9405 VALVE PISTON (1), 9421 VALVE PISTON O-RING (3), 9449 SPRING (1)
X9400-RESTRICTOR	WATER RESTRICTOR ASSEMBLY COMPLETE (PRE 8/2023)	9425 HANDLE (1), 9424 SCREW (1), 9427 KNOB (1), 9426 PLATE (1), 9474 SEAT (1), 9438 BOLT (1), 9423 CAP (1), 9422 RESTRICTOR (1), 9419 WASHER (1), 9458 LOCK WASHER (1)
X9400-BVDISCHARGE	WATER RESTRICTOR ASSEMBLY COMPLETE (POST 8/2023)	9808T VALVE (1), 2PVCPC 2" SCH. 80 PVC PIPE (3), 9447 TEE (1)
X9400-SAMPLING	9400 SAMPLING POINT COMPLETE	1/4 x 1/8SHB BUSHING (1), X66-PETCOCK (1)
X9405	VALVE PISTON WITH O-RINGS	9405 PISTON (1), 9421 O-RING (3)
X9420-O	ACCESS PLATE REMOVABLE WITH CAPS	9420-O ACCESS PLATE REMOVABLE (1), 9444 CAP (2)
X9428-O	ACCESS PLATE BASE COMPLETE	9428-O ACCESS PLATE BASE (1), 9451 HINGE CLAMP (2), 9452 SCREW (4)
X9448-49	AUTO DRAIN 3" D.O.B. OR LESS	9448 AUTO DRAIN (1), 9449 SPRING (1)
X9448-50	AUTO DRAIN 3.5"-6" D.O.B.	9448 AUTO DRAIN (1), 9450 SPRING (1)
X9448-54	AUTO DRAIN 6.5+ D.O.B.	9448 AUTO DRAIN (1), 9454 SPRING (1)
X9517-BG	CONTROLLER WITH BATTERY FOR 9400 OR 9800	9517 CONTROLLER (1), 9518 BATTERY (2), 9434 COVER (1), 9412 WIRE CONNECTOR (2), 9414 WIRE RECEPTACLE (1)
X9400-BLUE TOOTH	BLUETOOTH CONTROLLER UPGRADE	HUNTER CONTROLLER HOLDER (1), HUNTER CONTROLLER HOLDER STAND (1), 9412 WIRE CONNECTOR (2), 9414 WIRE RECEPTACLE (1), 9431 CONTROLLER HOLDER COVER (1), 9434 CONTROLLER BUTTON COVER (1), 9477 HOSE CLAMP (1), 9530 BLUETOOTH CONTROLLER (1), 9531 BATTERY FOR BLUETOOTH (2)
X9400-PVC-VALVE	VALVE ASSEMBLY	9405 VALVE PISTON (1), 9421 VALVE PISTON O-RING (3), 9515 ICV VALVE (1), 2PVCPC SCH 80 PIPE GxT (3), 9447 2PVCPC TEE GxGxG, 9446 BUSHING FOR AUTO DRAIN (1), 2PVCPC SCH 80 PIPE GxG (2.5), 2PVCU UNION (1), 9493 RING (1), B08XX 8 IN BOLLARD (1), 82-LK1 LOCKING TAB (1), 9495 RIVET (2), 9496 BACKUP WASHER (2), 9400A-11 SCREW (6)
X9400BOLLARD-XX	BOLLARD ASSEMBLY (SPECIFY COLOR)	



ACCESS PLATE VIEW



SECTION B-B PLATFORM BOTTOM SECTION VIEW



SECTION A-A FLUSHER SIDE VIEW

**DISCLAIMER**  
THIS DRAWING IS THE PROPERTY OF THE KUPFERLE WATER SOLUTIONS. IT IS NOT TO BE USED OR DUPLICATED WITHOUT THE PERMISSION OF THE OWNER

OPTIONAL / REPAIR PARTS LIST				
*				
*	HV365400	9515 VALVE SPRING	A.C	
*	HV365500	9515 VALVE BODY	A.C	
*	HV365900	9515 DIAPHRAGM SUPPORT	A.C	
*	HV366700	9515 BONNET BOLT	A.C	
*	HV371600	9515 E-CLIP RETAINER	A.C	
*	HV374500	9515 DIAPHRAGM ASSEMBLY	A.C	
*	HV380600	9515 BONNET	A.C	
*	HV560800	9515 FLOW CONTROL ASSEMBLY	A.C	
*	HV561200	9515 FLOW CONTROL KNOW	A.C	
*	HV561500	9515/9516 BLEED SCREW ASSEMBLY	A.C	

NOTE	DESCRIPTION
A	NOT SHOWN
B	PIPE LENGTH DEPENDENT ON DEPTH OF BURY, SHOWN AS 3'
C	SOLD AS REPLACEMENT PART
D	BOLT ASSEMBLY USED ON ALL SIMILAR HOLES/BRACKETS

## LEGEND

X	STANDARD TAG
X	TAG WITH QUANTITY

DRAWN	10/20/2017		
CHECKED	9/25/2018		
MODIFIED	7/18/2024		
KJW			
SIZE	SCALE	2511 NORTH 9TH ST. ST. LOUIS, MO 63102 1-800-231-3990	
D	1/5		
DWG NO	#9400 Cut	SHEET	REV
		1 OF 1	6