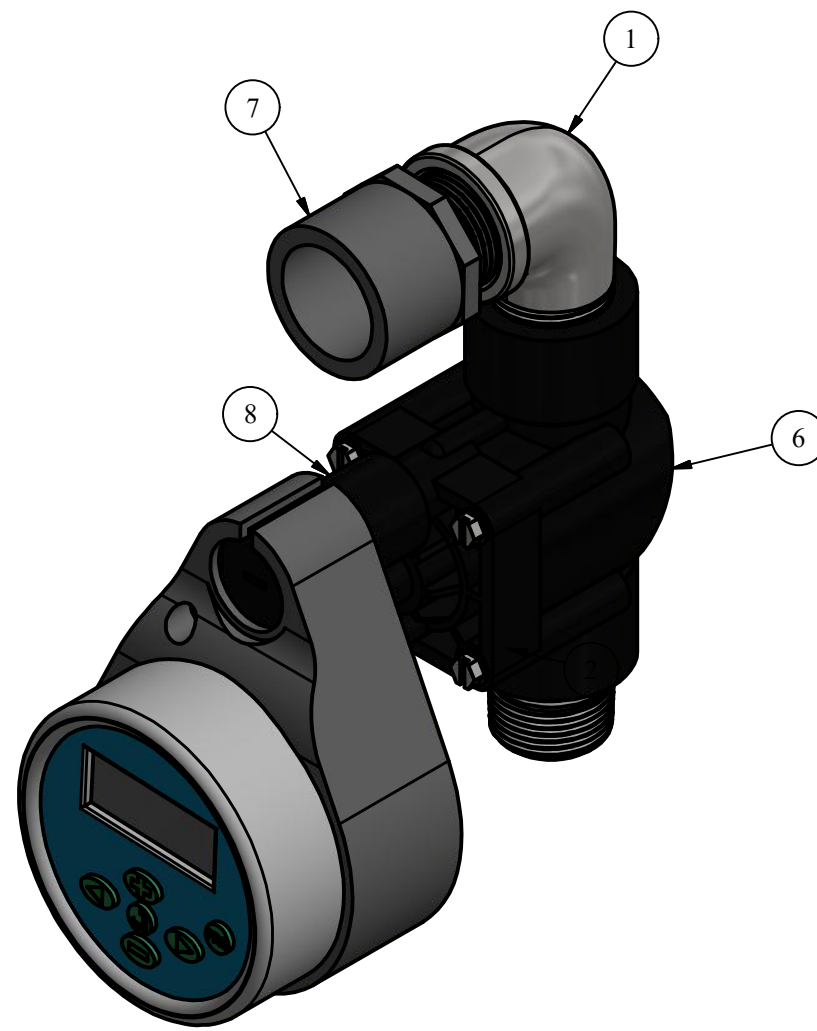
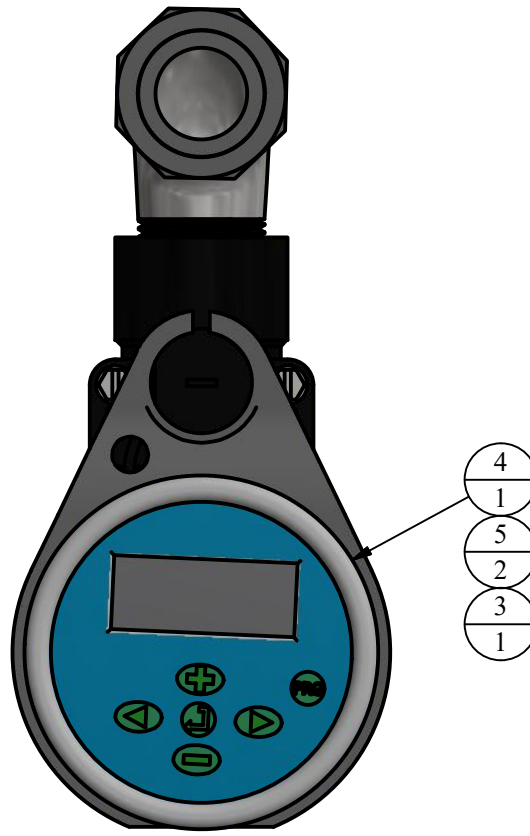


# #9497-A CUT SHEET

## PARTS LIST

ITEM	QTY	PART NUMBER	DESCRIPTION	NOTES
1	1	190SSL	1" S.S. STREET ELBOW	
2	1	1SSCN	1" S.S. CLOSE NIPPLE	
3	1	9434	CONTROLLER COVER BUTTONS	A,C
4	1	9517	VALVE CONTROLLER	C
5	2	9518	9 VOLT BATTERY	A
6	1	9520	1" PGV VALVE	C
7	1	9800A-07	1" SCH. 80 PVC ADAPTER (MIP x GLUE)	
8	1	HV458200	DC LATCHING SOLENOID	



## REPAIR KITS


PART NUMBER	DESCRIPTION	PARTS INCLUDED
X9517	CONTROLLER WITH BATTERY	9517 CONTROLLER (1), 9518 BATTERY (2), 9434 COVER (1), HV458200 SOLENOID (1)

NOTE	DESCRIPTION
A	NOT SHOWN
C	SOLD AS REPLACEMENT PART

**DISCLAIMER:**  
THIS DRAWING IS THE PROPERTY OF THE KUPFERLE  
FOUNDRY COMPANY. IT IS NOT TO BE USED OR  
DUPLICATED WITHOUT THE PERMISSION OF THE OWNER.

## LEGEND

- (X) → STANDARD TAG
- (X/Y) → TAG WITH Y QUANTITY

DRAWN	SMS	11/13/2018	 Since 1857 2511 NORTH 9TH ST. ST. LOUIS, MO 63102 1-800-231-3990
CHECKED	DCL	2/25/2019	
MODIFIED	PNR	4/25/2022	
SIZE	SCALE	C 1/2	
DWG NO	#9497-A		SHEET
			1 OF 1
			REV
			1