

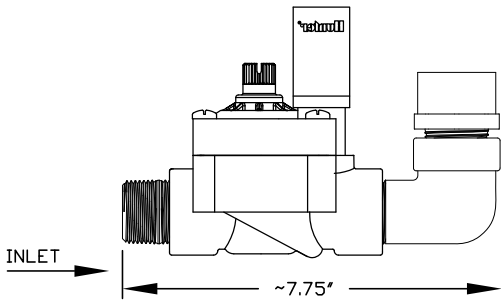
#9497-A SETTER PORTABLE AUTO-FLUSHER SPEC SHEET

PORTABLE FLUSHING STATION SHALL BE REMOVABLE WITH INLET THREADS CAPABLE OF BEING USED ON ANY STANDARD 3/4" OR 3/4"x5/8" METER SETTER SAMPLING STATION. ALL OPERATIONAL PARTS AND WATERWAY SHALL BE PVC OR STAINLESS STEEL.

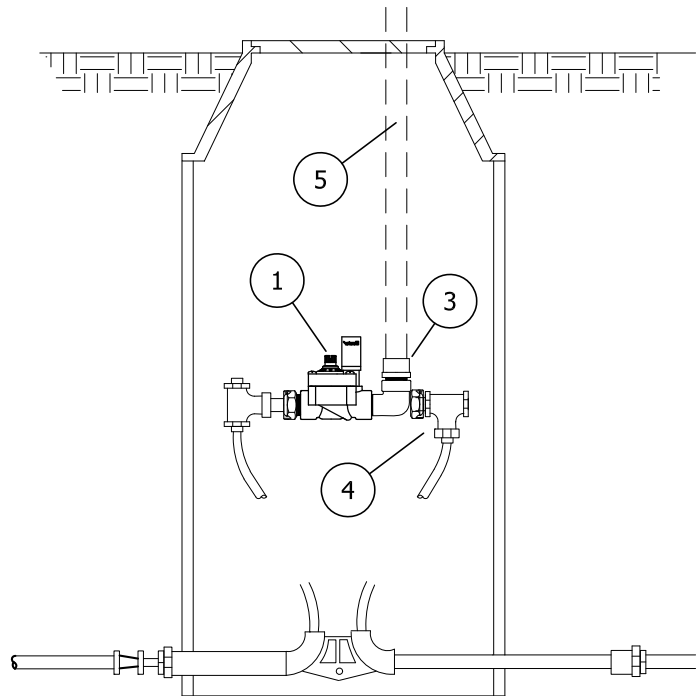
THE FLUSHING VALVE SHALL CONTROL THE FLOW OF WATER THROUGH THE HYDRANT AND ITS DIAPHRAGM WITH THE EXTENSION AND RETRACTION OF A DC LATCHING SOLENOID AND HAVE A 150 PSI RATING. EACH UNIT SHALL BE FURNISHED WITH A STAND-ALONG VALVE CONTROLLER. THE VALVE CONTROLLER SHALL NOT REQUIRE A SECOND HAND-HELD DEVICE FOR PROGRAMMING. CONTROLLER MUST HAVE MINIMUM OF 12 POSSIBLE FLUSHING CYCLES PER DAY. CONTROLLER SHALL BE SUBMERIBLE TO 12 FEET, OPERATE WITH A 9 VOLT BATTERY, AND HAVE RESIN-SEALED ELECTRICAL COMPONENTS. THE SOLENOID SHALL HAVE NO LOOSE PARTS WHEN REMOVED FROM THE VALVE.

NOTES:

- 1.) A METER GASKET NEEDS TO BE USED TO PREVENT LEAKING.



1 SIDE LAY VIEW
Scale: 3"=1'-0"



2 INSTALLED VIEW
Scale: 1"=1'-0"

ITEM	ITEM / DESCRIPTION	NOTES
1	1" AUTOMATIC FLUSHING VALVE	
2	CONTROLLER	NOT SHOWN
3	1" FEMALE SOCKET	
4	3/4" OR 3/4"x5/8" SETTER	BY OTHERS
5	COPPER SETTER	BY OTHERS

#9497-A SETTER AUTO-FLUSHER TO BE INSTALLED AT THE FOLLOWING LOCATIONS:

DD/MM/YY	ISSUED FOR REFERENCE	
DATE	STATUS / REVISION	#9497-A AUTO-FLUSHER

DRAWN DCL
APPROVED DCL
DATE 2/6/17
SCALE VARIES



2511 NORTH 9TH STREET
ST. LOUIS, MO 63102
1-800-231-3990
FAX 314-231-2820
www.hydrants.com