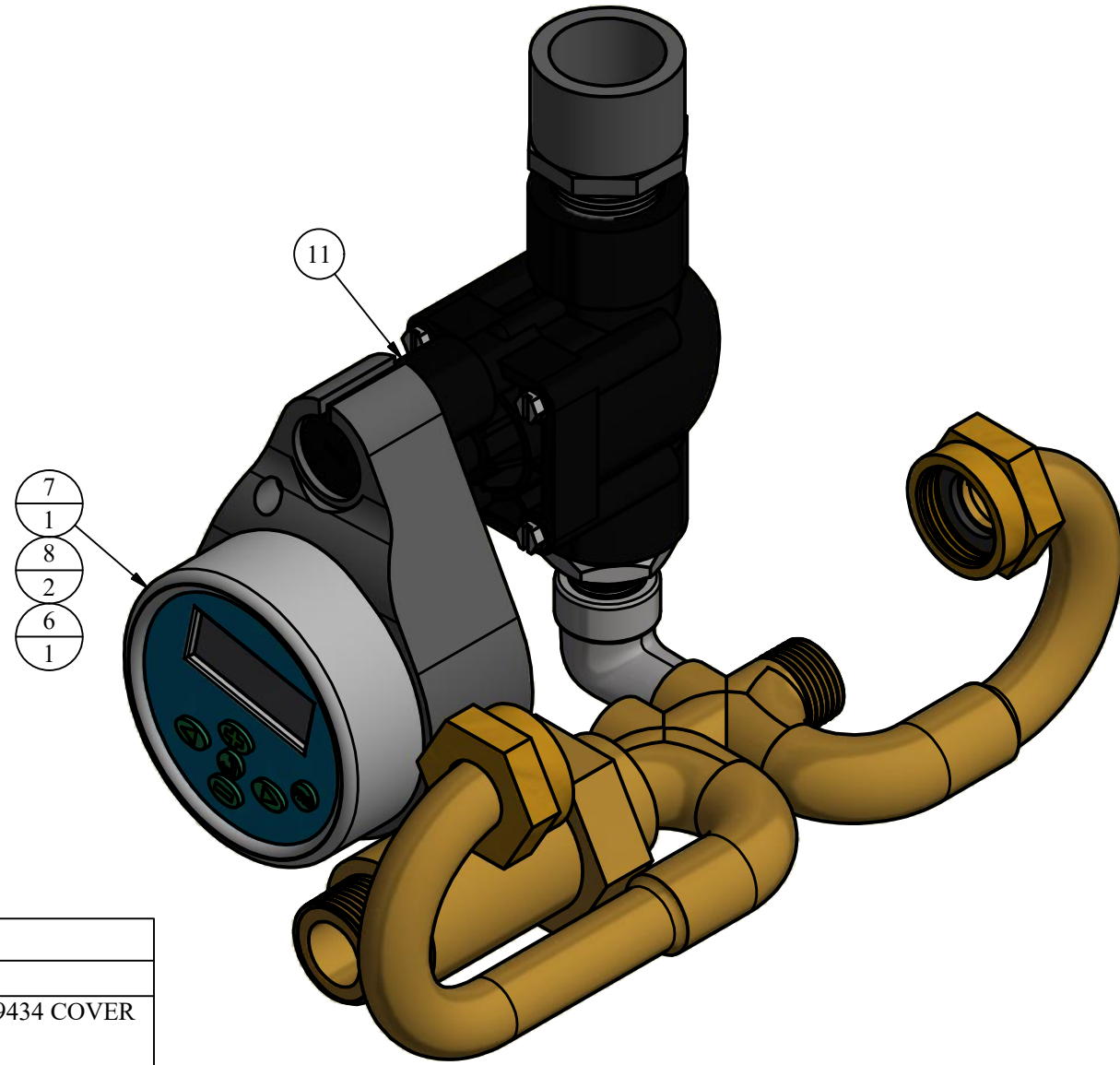
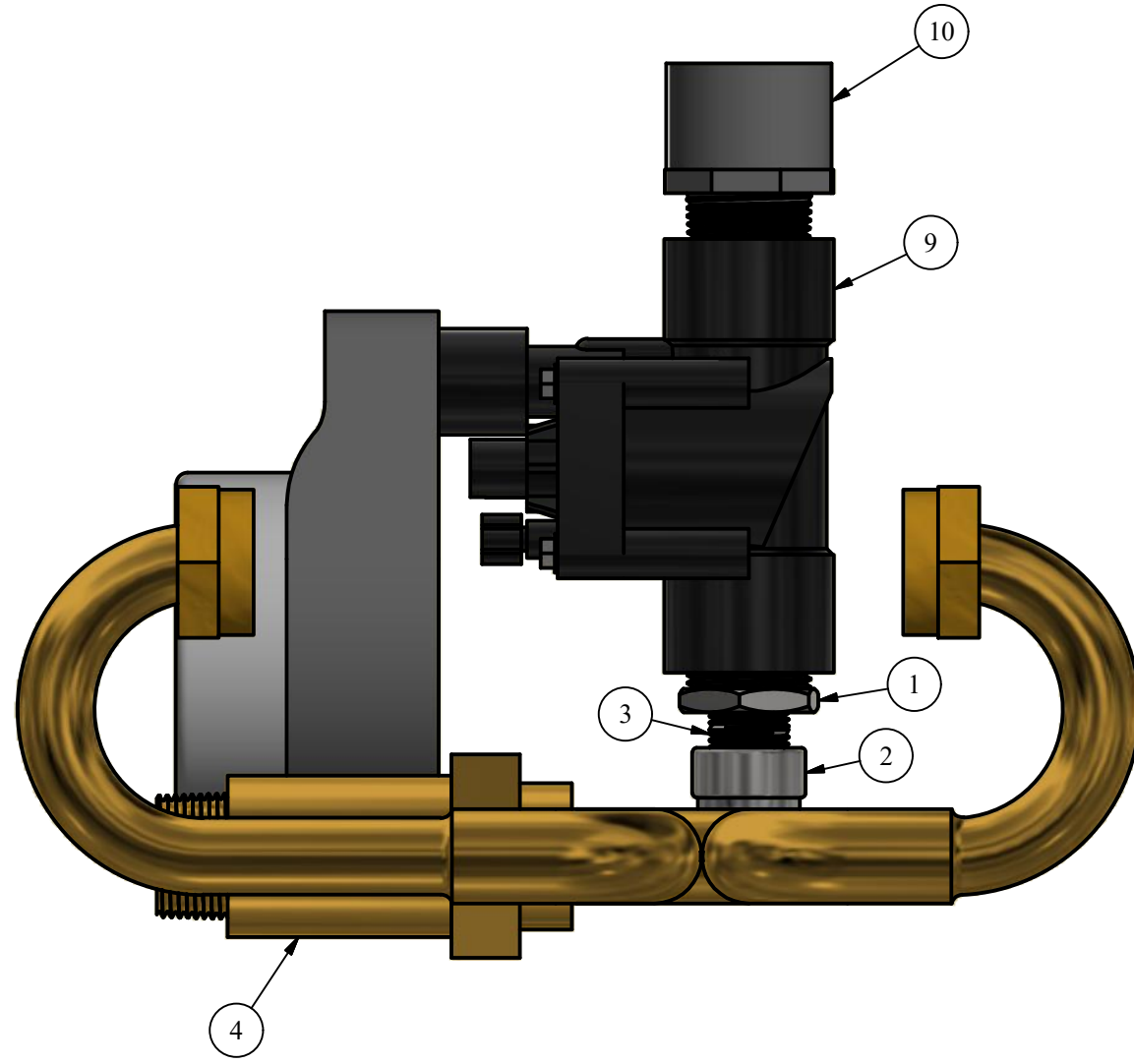


# #9497-B CUT SHEET

## PARTS LIST

ITEM	QTY	PART NUMBER	DESCRIPTION	NOTES
1	1	1 X 1/2SHB	1" x 1/2" S.S. HEX BUSHING	
2	1	1/290SSL	1/2" 90° S.S. STREET ELBOW	
3	1	1/2SSCN	1/2" S.S. CLOSE NIPPLE	
4	1	94-D	BRASS DUAL CHECK VALVE	C
5	1	94-R	METER RESETTER	
6	1	9434	CONTROLLER COVER BUTTONS	A,C
7	1	9517	VALVE CONTROLLER	
8	2	9518	9 VOLT BATTERY	A,C
9	1	9520	1" PGV VALVE	C
10	1	9800A-07	1" SCH. 80 PVC ADAPTER (MIP x GLUE)	
11	1	HV458200	SOLENOID	



## REPAIR KITS


PART NUMBER	DESCRIPTION	PARTS INCLUDED
X9517	CONTROLLER WITH BATTERY	9517 CONTROLLER (1), 9518 BATTERY (2), 9434 COVER (1), HV458200 SOLENOID (1)

NOTE	DESCRIPTION
A	NOT SHOWN
C	SOLD AS REPLACEMENT PART

**DISCLAIMER:**  
THIS DRAWING IS THE PROPERTY OF THE KUPFERLE  
FOUNDRY COMPANY. IT IS NOT TO BE USED OR  
DUPLICATED WITHOUT THE PERMISSION OF THE OWNER.

## LEGEND

- (X) → STANDARD TAG
- (X/Y) → TAG WITH Y QUANTITY

DRAWN	11/13/2018	 2511 NORTH 9TH ST. ST. LOUIS, MO 63102 1-800-231-3990	
SMS CHECKED	2/25/2019		
DCL MODIFIED	4/25/2022		
PNR			
SIZE	C	SCALE	1 / 2
DWG NO	9497-B	SHEET	1 OF 1
		REV	1