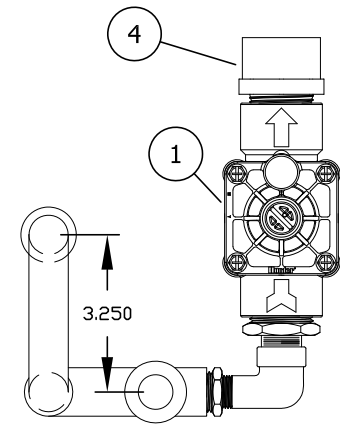
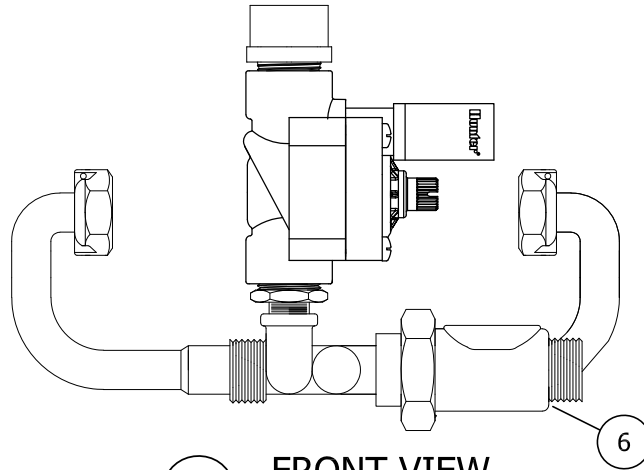


#9497-B RESETTER AUTO-FLUSHER SPEC SHEET

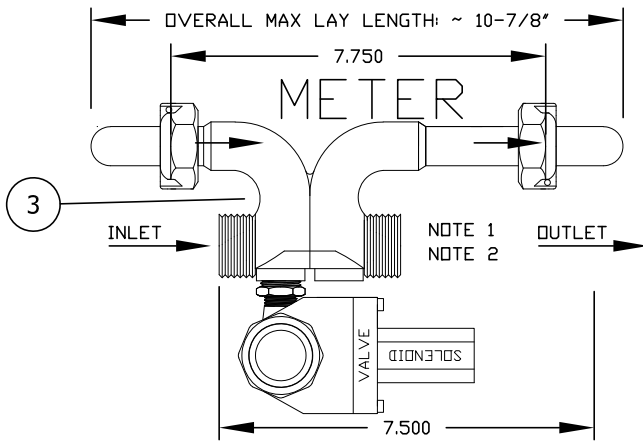
#9497-B RESETTER
AUTO-FLUSHER TO BE
INSTALLED AT THE
FOLLOWING LOCATION(S):



1 SIDE VIEW
Scale: 3"=1'-0"



2 FRONT VIEW
Scale: 3"=1'-0"



3 TOP VIEW
Scale: 3"=1'-0"

METER RESETTER AUTO-FLUSHER SHALL BE METER BOX RETROFIT STYLE FOR A 5/8" x 3/4" METER, WITH 1" MIP METER THREADED INLET AND OUTLET, BOTH WITH A FACE FOR GASKET SEAL. THE AUTO-FLUSHER VALVE SHALL BE LOCATED BEFORE THE WATER METER AND RESIDENCE.

ALL OPERATIONAL PARTS AND WATERWAY SHALL BE PVC, BRASS, OR STAINLESS STEEL.

THE FLUSHING VALVE SHALL CONTROL THE FLOW OF WATER THROUGH THE HYDRANT AND ITS DIAPHRAGM WITH THE EXTENSION AND RETRACTION OF A DC LATCHING SOLENOID AND HAVE A 150 PSI RATING. EACH UNIT SHALL BE FURNISHED WITH A STAND-ALONE VALVE CONTROLLER. THE VALVE CONTROLLER SHALL NOT REQUIRE A SECOND HAND-HELD DEVICE FOR PROGRAMMING. CONTROLLER MUST HAVE MINIMUM OF 12 POSSIBLE FLUSHING CYCLES PER DAY. CONTROLLER SHALL BE SUBMERGIBLE TO 12 FEET, OPERATE WITH A 9 VOLT BATTERY, AND HAVE RESIN-SEALED ELECTRICAL COMPONENTS. THE SOLENOID SHALL HAVE NO LOOSE PARTS WHEN REMOVED FROM THE VALVE.

NOTES:

1. IF USED, A BRASS IDLER MANUFACTURED IN COMPLIANCE WITH ANSI/ASSE 1024 AND COMPLIANT WITH USA PUBLIC LAW 111-380 AND IDENTIFIED WITH "NL".
2. IF USED, A BRASS DUAL CHECK VALVE MANUFACTURED IN COMPLIANCE WITH ANSI/ASSE 1024, CSE CERTIFIED, NSF 61 (ANNEX G) LISTED, CERTIFIED TO NSF/ANSI 372 BY IAPMO R&T.

ITEM	ITEM / DESCRIPTION	NOTES
1	1" AUTOMATIC FLUSHING VALVE	
2	CONTROLLER	NOT SHOWN
3	94WM METER RESETTER BODY	
4	1" FEMALE SOCKET	
5	BRASS IDLER	NOT SHOWN
6	BRASS DUAL CHECK VALVE	

DRAWN
BAM
APPROVED
DCL
DATE
3/30/16
SCALE
VARIES



2511 NORTH 9TH STREET
ST. LOUIS, MO 63102
1-800-231-3990
FAX 314-231-2820
www.hydrants.com

NOTE: USE ONLY APPROVED SEALANTS.
INPROPER SEALANTS MAY CAUSE BRITTLINESS.

DD/MM/YY	ISSUED FOR REFERENCE	#96WM-B SAMPLING STATION	SHEET 1 OF 1
DATE	STATUS / REVISION		