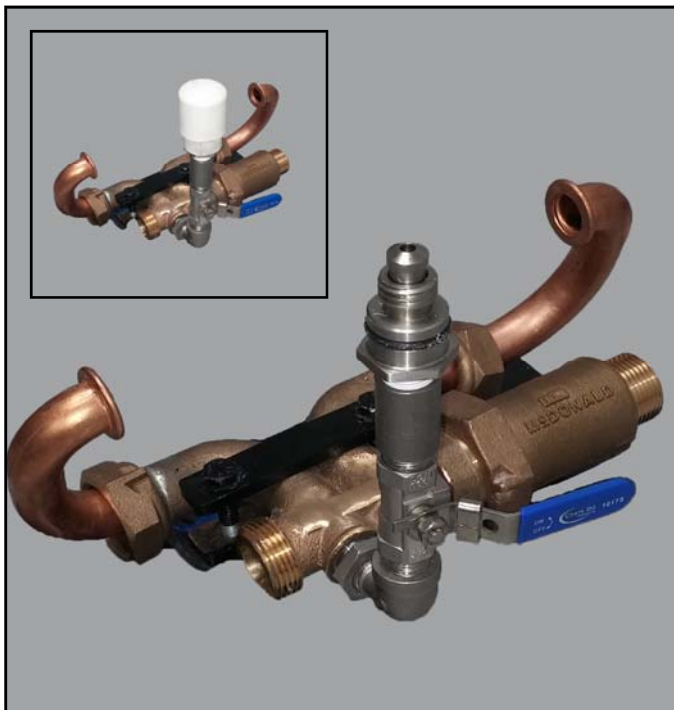


# MainGuard #94WM Sampling Station



Sampling rod and  
protective travel  
case sold  
separately

Sampling rod  
features multi-  
directional blow-  
off and sampling  
bibb

## MAINGUARD™

### FEATURES

- All stainless steel and brass waterway
- Fits inside a standard meter box
- Spring-loaded valve opens and closes when sampling rod is threaded on and off
- Threaded valve makes it easy to attach/detach from a standing position
- Custom-fitted O-ring PVC cap to protect sampling valve
- Sample pulled from water main side of the resetter
- All stainless steel and brass sampling rod with protective case (sold separately)
- Standard dual check valve included
- Fully serviceable without disrupting residential service



2511 N. 9th St.  
St. Louis, MO 63102

**800-231-3990**

[www.hydrants.com](http://www.hydrants.com)

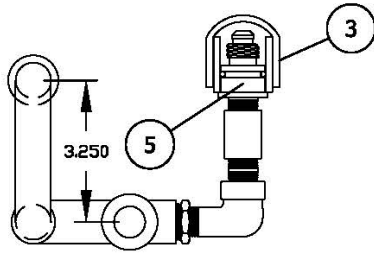
[info@hydrants.com](mailto:info@hydrants.com)

# #94WM 5/8" x 3/4" METER SETTER SAMPLING STATION (NO BALL VALVE) SPEC SHEET

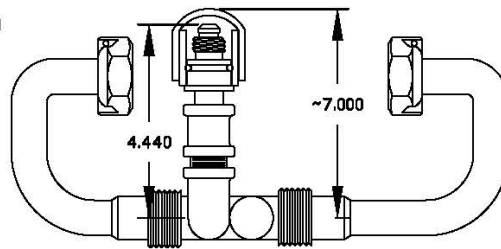
#94WM METER SETTER SAMPLING STATION TO BE INSTALLED AT THE FOLLOWING LOCATION(S):

\_\_\_\_\_

\_\_\_\_\_



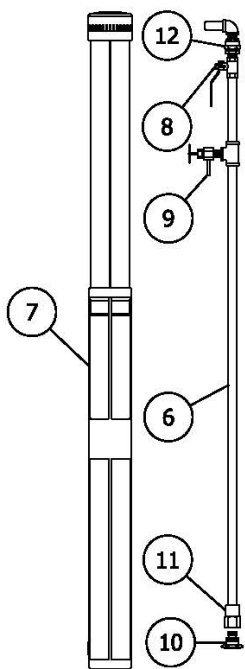
**1 SIDE VIEW**  
Scale: 3"=1'-0"



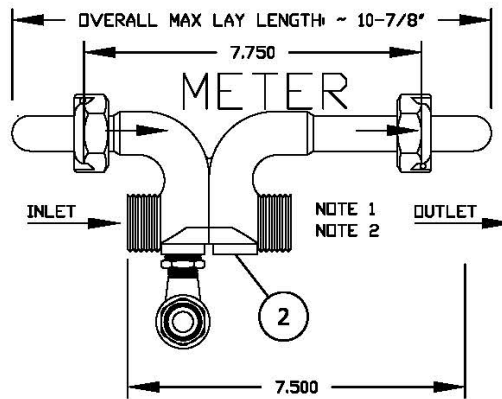
**2 FRONT VIEW**  
Scale: 3"=1'-0"

**NOTES:**

1. IF USED, A BRASS IDLER MANUFACTURED IN COMPLIANCE WITH ANSI/ASSE 1024 AND COMPLIANT WITH USA PUBLIC LAW 111-380 AND IDENTIFIED WITH "NL".
2. IF USED, A BRASS DUAL CHECK VALVE MANUFACTURED IN COMPLIANCE WITH ANSI/ASSE 1024, CSE CERTIFIED, NSF 61 (ANNEX G) LISTED, CERTIFIED TO NSF/ANSI 372 BY IAPMO R&T.



**4 SAMPLING ROD**  
Scale: 1-1/5"=1'-0"



**3 TOP VIEW**  
Scale: 3"=1'-0"

METER SETTER SAMPLING STATION SHALL BE METER BOX RETROFIT STYLE FOR A 5/8" x 3/4" METER, WITH 1" MIP METER THREADED INLET AND OUTLET, BOTH WITH A FACE FOR GASKET SEAL. THE STAINLESS STEEL SAMPLING VALVE SHALL BE LOCATED BEFORE THE WATER METER AND RESIDENCE.

TO PERFORM SAMPLING, A PORTABLE ROD WITH A S.S. FEMALE COUPLER WILL THREAD ONTO THE S.S. MALE SPRING LOADED PISTON VALVE (#5) CONNECTED TO THE METER SETTER. THIS CONNECTION SHALL REQUIRE A TURNING MOTION ONLY, WITH NO PUSHING OR PULLING NECESSARY AND BE PROTECTED BY A PVC COVER WHEN NOT IN USE.

SAMPLING ROD LENGTH : \_\_\_\_\_

NOTES (I.E. DUAL CHECK, IDLER, ETC.):

\_\_\_\_\_

\_\_\_\_\_

ITEM	ITEM / DESCRIPTION	NOTES
1	BRASS IDLER	NOT SHOWN
2	94WM METER RESETTER BODY	
3	PVC COVER WITH CAP	
4	NOT USED	
5	S.S. MALE SPRING LOADED SAMPLING VALVE	
6	36" S.S. PORTABLE TESTING ROD	STANDARD
7	TESTING ROD CARRING CASE	
8	S.S. FLUSHING VALVE	
9	S.S. SAMPLING BIBB VALVE	
10	PVC DEBRIS CAP	
11	S.S. FEMALE ACUATOR VALVE	
12	360° SWIVEL	
13	BRASS DUAL CHECK VALVE	NOT SHOWN

DD/MM/YY	ISSUED FOR REFERENCE
DATE	STATUS / REVISION

#94WM 5/8"x3/4" SAMPLING STATION SHEET 1 OF 1

DRAWN  
BAM  
APPROVED  
DCL  
DATE  
9/3/15  
SCALE  
VARIES



2511 NORTH 9TH STREET  
ST. LOUIS, MO 63102  
1-800-231-3990  
FAX 314-231-2820  
www.hydrants.com