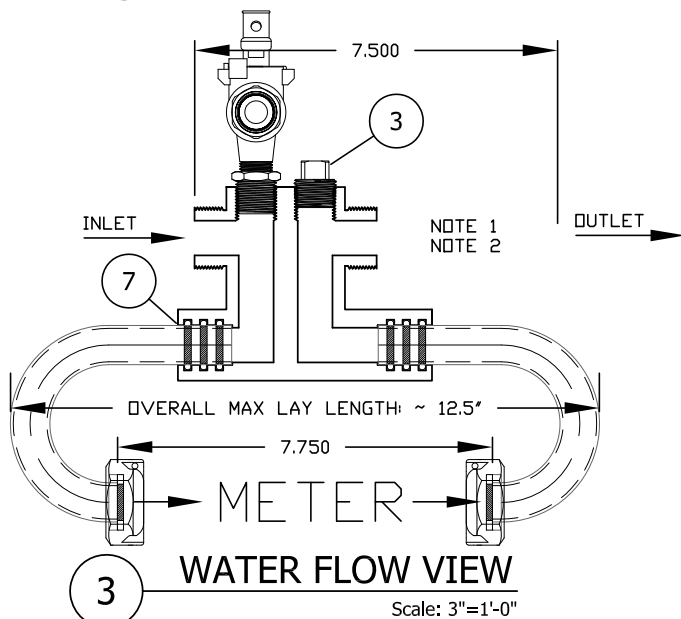
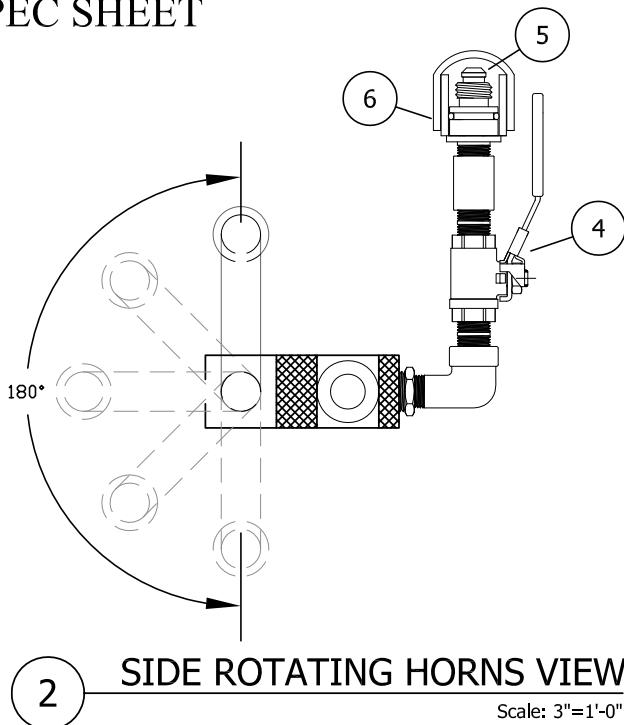
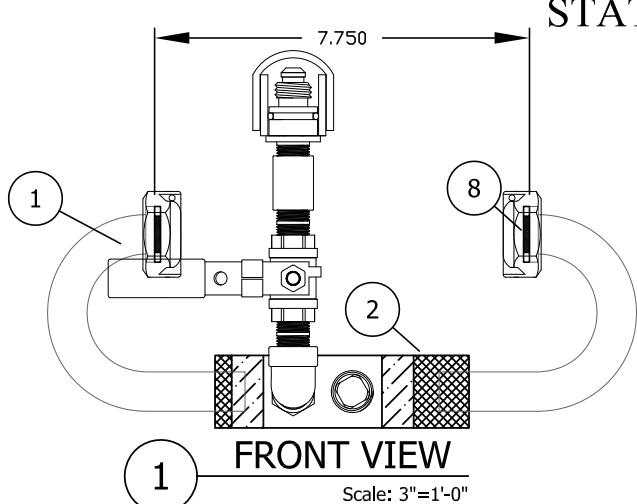


# #95WM 5/8"x3/4" METER SETTER SAMPLING STATION SPEC SHEET



ITEM	ITEM / DESCRIPTION	NOTES
1	5/8"x3/4" COPPER HORN (FLANGE x SLIP)	
2	95WM BODY (5/8"x3/4" METER x SLIP)	
3	S.S. PLUG	
4	3/8" LOCKABLE BALL VALVE	
5	S.S. MALE SPRING LOADED SAMPLING VALVE	
6	PVC COVER WITH CAP	
7	O-RING SLIP JOINT	
8	3/4" EPDM RUBBER METER GASKET	

METER SETTER SAMPLING STATION SHALL BE METER BOX RETROFIT STYLE FOR A 5/8" x 3/4" METER, WITH 1" MIP METER THREADED INLET AND OUTLET, BOTH WITH A FACE FOR GASKET SEAL. IF DESIRED A DUAL CHECK VALVE (EITHER NYLON OR BRASS BODY) SHALL BE LOCATED BETWEEN THE WATER METER AND RESIDENCE.

METER SETTER SHALL HAVE REMOVABLE HORNS THAT ATTACH TO THE RESETTER BODY VIA A 3 O-RING SLIP CONNECTION. THE METER ITSELF SHALL HOLD THE HORNS INTO THE BODY ONCE INSTALLED.

METER SHALL BE ABLE TO BE ROTATED AROUND THE HORN AXIS ALLOWING THE SETTER TO ACCOMODATE FOR DIFFERENT ANGLES AS NEEDED.

TO PERFORM SAMPLING, A PORTABLE ROD WITH A FEMALE COUPLER WILL THREAD ONTO THE S.S. MALE SPRING LOADED PISTON VALVE (#5) CONNECTED TO THE METER SETTER. THIS CONNECTION SHALL REQUIRE A TURNING MOTION ONLY, WITH NO PUSHING OR PULLING NECESSARY. MALE VALVE SHALL BE LOCATED BEFORE THE WATER METER, HAVE AN AUXILIARY SHUT-OFF VALVE, AND BE PROTECTED BY A (PVC OR BRASS) COVER WHEN NOT IN USE.

**NOTES:**

- 1.) DUAL CHECK VALVE OPTIONAL WITH DIFFERENT BODY STYLES AVAILABLE (REINFORCED NYLON OR BRASS).
  - ZURN WILKINS (NYLON) DUAL CHECK MANUFACTURED IN COMPLIANCE WITH ANSI/ASSE 1024, CSE CERTIFIED, NSF 61 (ANNEX G) LISTED, CERTIFIED TO NSF/ANSI 372 BY IAPMO R&T.
  - A.Y. MCDONALD (BRASS) DUAL CHECK MANUFACTURED IN COMPLIANCE WITH ANSI/ASSE 1024 AND COMPLIANT WITH USA PUBLIC LAW 111-380 AND IDENTIFIED WITH "NL".
- 2.) IDLER OPTIONAL WITH DIFFERENT BODY STYLES AVAILABLE (PVC OR BRASS).
  - KUPFERLE (PVC) IDLER .
  - A.Y. MCDONALD (BRASS) IDLER COMPLIANT WITH USA PUBLIC LAW 111-380 AND IDENTIFIED WITH "NL".

#95WM METER SETTER SAMPLING STATION  
TO BE INSTALLED AT THE FOLLOWING  
LOCATIONS:

\_\_\_\_\_

\_\_\_\_\_

		MAXIMUM WORKING WATER PRESSURE: 175 PSI TEMPERATURE RANGE: 32° TO 140°F
		NOTE: USE ONLY APPROVED SEALANTS. INPROPER SEALANTS MAY CAUSE BRITTLINESS.
DD/MM/YY	ISSUED FOR REFERENCE	
DATE	STATUS / REVISION	#95WM SAMPLING STATION

DRAWN DCL
APPROVED DCL
DATE 3/24/15
SCALE 3'=1'-0"



2511 NORTH 9TH STREET  
ST. LOUIS, MO 63102  
1-800-231-3990  
FAX 314-231-2820  
www.hydrants.com