

PATENTED

95WM CUT SHEET

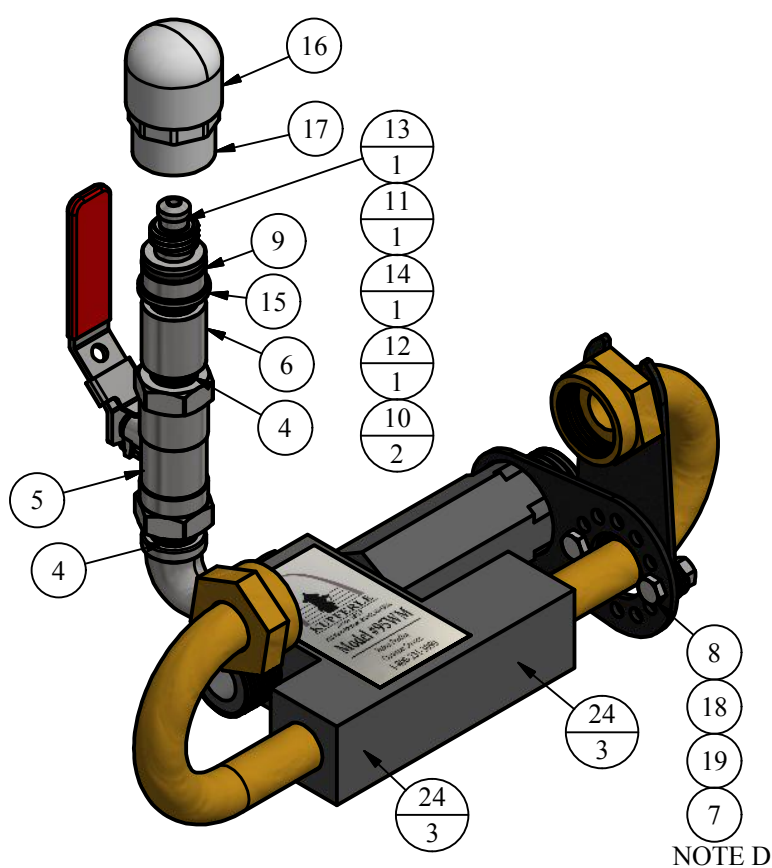
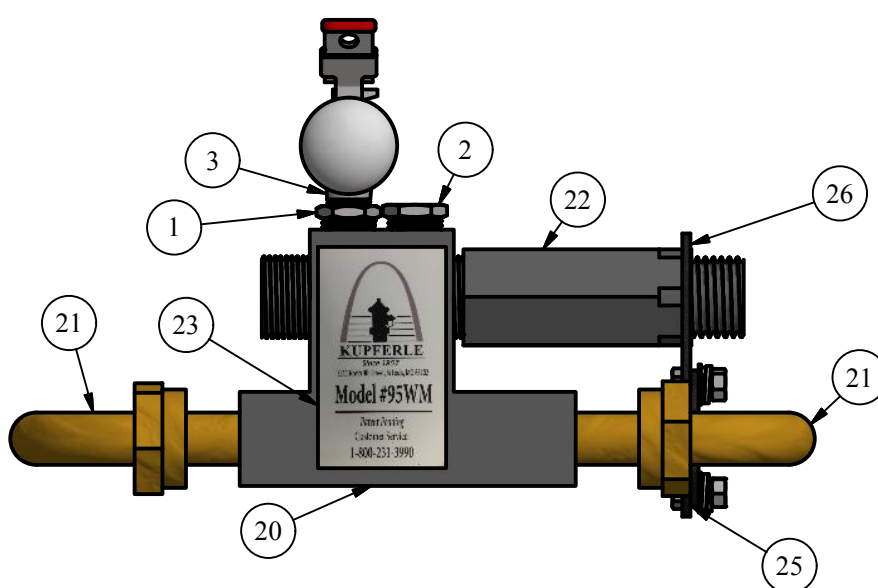
(5/8" x 3/4" METER SETTER)

PARTS LIST

ITEM	QTY	PART NUMBER	DESCRIPTION	NOTES
1	1	1/2 x 3/8HBSS	1/2" x 3/8" S.S. HEX BUSHING	
2	1	1/2PSS	1/2" S.S. PLUG	C
3	1	3/890SLSS	3/8" S.S. STREET ELBOW	
4	2	3/8CNSS	3/8" S.S. CLOSE NIPPLE	
5	1	3/8SBV	3/8" S.S. BALL VALVE	C
6	1	3/8SSC	3/8" S.S. COUPLING	
7	2	345-N	S.S. NUT	
8	2	66S47	S.S. BOLT	
9	1	88-12	PLUNGER O-RING	
10	2	92-C	RETAINING E-CLIP	
11	1	92-O	SAMPLING VALVE TOP O-RING	
12	1	92-OO	PLUNGER TIP O-RING	
13	1	92-P	SAMPLING VALVE PLUNGER PISTON	
14	1	92-S	SPRING	
15	1	92-V	SAMPLING VALVE BODY	
16	1	94-A	3/4" SCH. 40 PVC CAP	
17	1	94-E	3/4" SCH. 40 PVC ADAPTER	
18	2	9419	S.S. FLAT WASHER	
19	2	9458	S.S. LOCK WASHER	
20	1	95WM-B	RESETTER BODY	
21	2	95WM-H	5/8" X 3/4" HORN WITH NUT	C
22	1	95WM-I	PVC IDLER	
23	1	95WM-L	LABEL	
24	6	95WM-O	3/4" HORN O-RING	C
25	1	95WM-R	ROTATING SUPPORT	C
26	1	95WM-S	STATIONARY SUPPORT	C

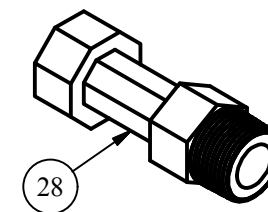
OPTIONAL PARTS LIST

27	0	94-D	BRASS DUAL CHECK BACKFLOW PREVENTER	C
28	0	94-I	BRASS IDLER	C

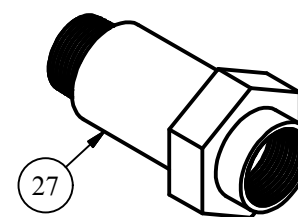


NOTE D

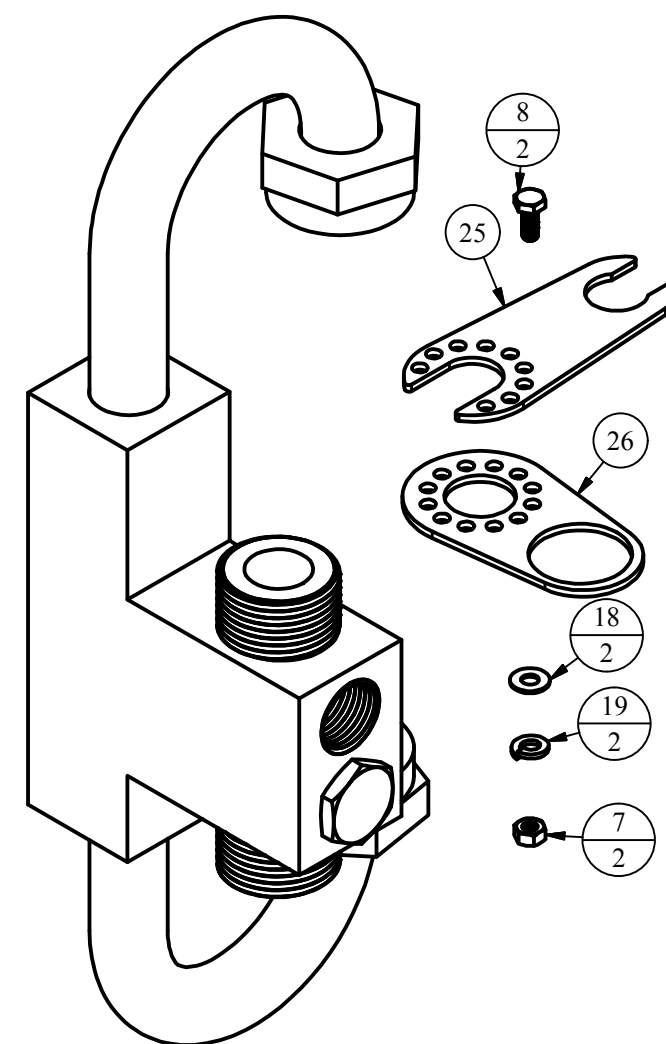
OPTIONAL 94-I BRASS IDLER



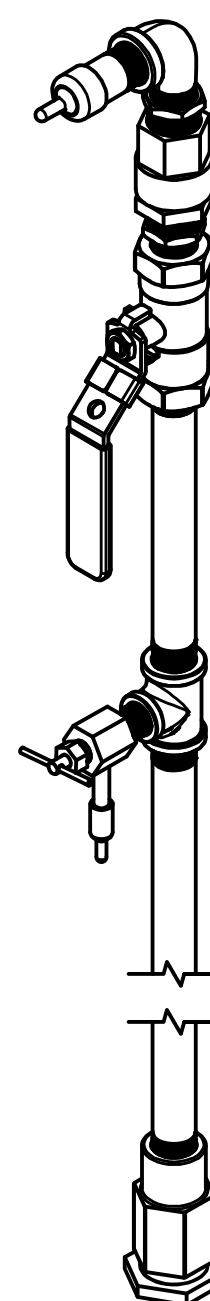
OPTIONAL 94-D BRASS DUAL CHECK VALVE



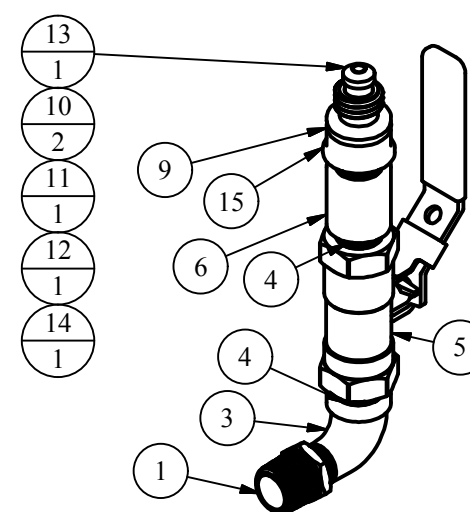
X95WM-R ASSEMBLY



Z94PR ASSEMBLY (NOTE T)



X94WM-ASSY ASSEMBLY



REPAIR KITS

PART NUMBER	DESCRIPTION	PARTS INCLUDED
X92-VALVE	SAMPLING VALVE ASSEMBLY COMPLETE	92-V VALVE (1), 88-12 O-RING (1), 92-P PISTON (1), 92-S SPRING (1), 92-O O-RING (1), 92-OO O-RING (1), 92-C E-CLIP (2)
X94WM-ASSY	SAMPLING ASSEMBLY	1/2 X 3/8HBSS BUSHING (1), 3/890SLSS ELBOW (1), 3/8CNSS CLOSE NIPPLE (2), 3/8SBV BALL VALVE (1), 3/8SSC COUPLING (1), X92-V SAMPLING VALVE (1), X94WM-CAP VALVE CAP (1)
X94WM-CAP	SAMPLING VALVE CAP COMPLETE	94-A CAP (1), 94-E ADAPTER (1)
X95WM-R	95WM 5/8" x 3/4" RESETTER	95WM-B BODY (1), 95WM-H HORN (2), 95WM-O O-RING (6), 1/2PSS PLUG (1), X95WM-S SUPPORTS (1)
X95WM-S	95WM ANGLE HOLDER	95WM-R ROTATING SUPPORT (1), 95WM-S STATIONARY SUPPORT (1), 66S47 BOLT (2), 9419 WASHER (2), 9458 LOCK WASHER (2), 345-N NUT (2)

NOTE	DESCRIPTION
C	SOLD AS REPLACEMENT PART
D	BOLT ASSEMBLY USED ON ALL SIMILAR HOLES/BRACKETS
T	SEE Z94PR CUT SHEET FOR SAMPLING ROD INFORMATION

DISCLAIMER:
THIS DRAWING IS THE PROPERTY OF THE KUPFERLE FOUNDRY COMPANY. IT IS NOT TO BE USED OR DUPLICATED WITHOUT THE PERMISSION OF THE OWNER.

LEGEND

- (X) → STANDARD TAG
- (X/Y) → TAG WITH Y QUANTITY

DRAWN	4/18/2018
SMS CHECKED	
DCL MODIFIED	9/26/2018

SIZE	SCALE
C	1/3

DWG NO	SHEET	REV
#95WM Cut_Rev0	1 OF 1	0

