

PATENTED

95WM-ONE CUT SHEET

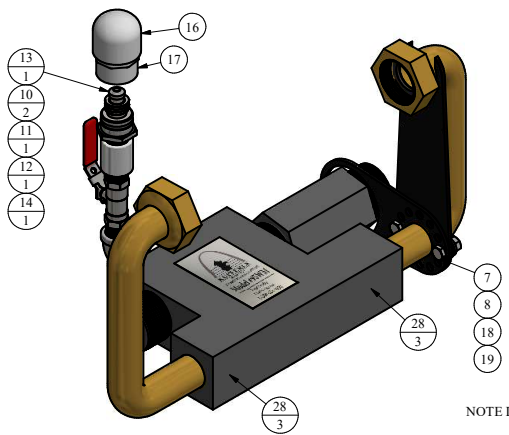
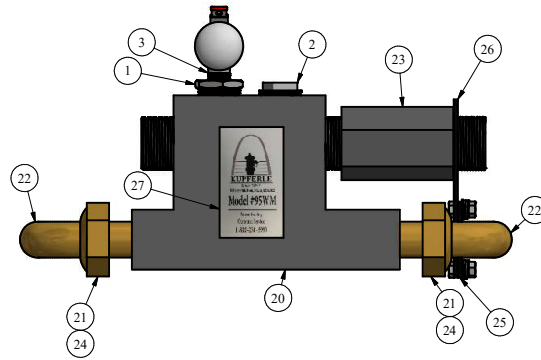
(1" METER SETTER)

PARTS LIST

ITEM	QTY	PART NUMBER	DESCRIPTION	NOTES
1	1	1 x 3/8SHB	1" x 3/8" S.S. Hex Bushing	
2	1	1PSS	1" SS PLUG	
3	1	3/890SLSS	3/8" S.S. STREET ELBOW	
4	2	3/8CNSS	3/8" S.S. CLOSE NIPPLE	
5	1	3/8SBV	3/8" S.S. BALL VALVE	C
6	1	3/8SSC	3/8" S.S. COUPLING	
7	2	345-N	1/4"-20 S.S. Hex Nut	
8	2	66S47	BOLT FOR ANGLE HOLDER	
9	1	88-12	PLUNGER O-RING	
10	2	92-C	RETAINING E-CLIP	
11	1	92-O	SAMPLING VALVE TOP O-RING	
12	1	92-OO	PLUNGER TIP O-RING	
13	1	92-P	SAMPLING VALVE PLUNGER PISTON	
14	1	92-S	SPRING	
15	1	92-V	SAMPLING VALVE BODY	
16	1	94-A	3/4" SCH. 40 PVC CAP	
17	1	94-E	3/4" SCH. 40 PVC ADAPTER	
18	2	9419	WASHER FOR ANGLE HOLDER	
19	2	9458	LOCK WASHER FOR ANGLE HOLDER	
20	1	95WM-1B	RESETER BODY	
21	3	95WM-1G	RESETER (1") GASKET	
22	2	95WM-1H	1" COPPER HORN	C
23	1	95WM-1I	PVC IDLER	C
24	2	95WM-1N	RESETER (1") NUT	
25	1	95WM-1R	ROTATING SUPPORT	C
26	1	95WM-1S	STATIONARY SUPPORT	C
27	1	95WM-1L	LABEL	
28	6	A19	WASTE TUBE O-RING	

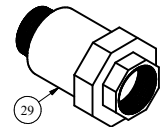
OPTIONAL PARTS LIST

29	0	95WM-1D	BRASS DUAL CHECK BACKFLOW PREVENTER	C
----	---	---------	-------------------------------------	---

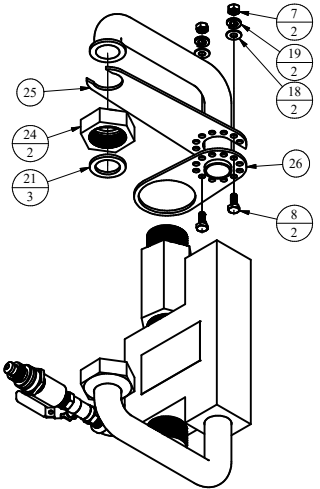


NOTE D

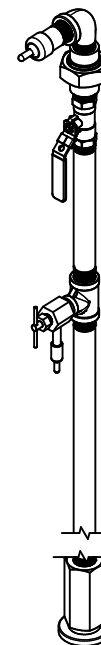
OPTIONAL 95WM-1D BRASS DUAL CHECK VALVE



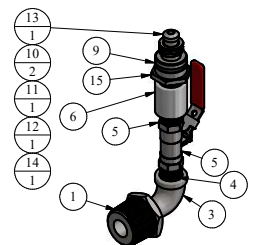
X95WM-1R ASSEMBLY



Z94PR ASSEMBLY (NOTE T)



X94WM-1ASSY ASSEMBLY



REPAIR KITS

PART NUMBER	DESCRIPTION	PARTS INCLUDED
X92-VALVE	SAMPLING VALVE ASSEMBLY COMPLETE	92-V VALVE (1), 88-12 O-RING (1), 92-P PISTON (1), 92-S SPRING (1), 92-O O-RING (1), 92-OO O-RING (1), 92-C E-CLIP (2)
X94WM-ASSY	SAMPLING ASSEMBLY	1 X 3/8HBS BUSHING ((1)), 3/890SLSS ELBOW (1), 3/8CNSS CLOSE NIPPLE (2), 3/8BV BALL VALVE (1), 3/8SSC COUPLING (1), C92-V SAMPLING VALVE (1), X94WM-CAP VALVE CAP (1)
X95WM-1R	95WM-1 1" RESETER	95WM-1B BODY (1), 95WM-1H HORNS (2), 95WM-1O O-RING (6), 1PSS PLUG (1), X95WM-1S SUPPORTS (1)
X95WM-1S	95WM ANGLE HOLDER	95WM-1R ROATATING SUPPORT (1), 95WM-1S STATIONARY SUPPORT (1), 66S47 BOLT (2), 9419 WASHER (2), 9458 LOCK WASHER (2), 345-N NUT (2)
X95WM-CAP	SAMPLING VALVE CAP COMPLETE	94-A CAP (1), 9-E ADAPTER (1)

NOTE	DESCRIPTION
A	NOT SHOWN
C	SOLD AS REPLACEMENT PART
D	BOLT ASSEMBLY USED ON ALL SIMILAR HOLES/BRACKETS
T	SEE Z94PR CUT SHEET FOR SAMPLING ROD INFORMATION

DISCLAIMER:
THIS DRAWING IS THE PROPERTY OF THE KUPFERLE
FOUNDRY COMPANY. IT IS NOT TO BE USED OR
DUPLICATED WITHOUT THE PERMISSION OF THE OWNER

LEGEND

- (X) → STANDARD TAG
- (X/Y) → TAG WITH Y QUANTITY

DRAWN	SMS	11/2/2018
CHECKED	DCL	12/18/2018
MODIFIED	ADC	5/15/2025

SIZE	C
SCALE	1/3

DWG NO	#95WM-ONE Cut_Rev0
--------	--------------------



2511 NORTH 9TH ST.
ST. LOUIS, MO 63102
1-800-231-3990

SHEET	1 OF 1
REV	0.1