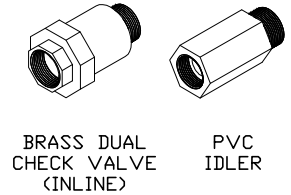
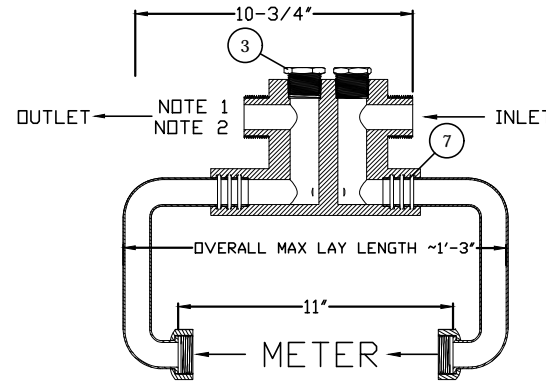
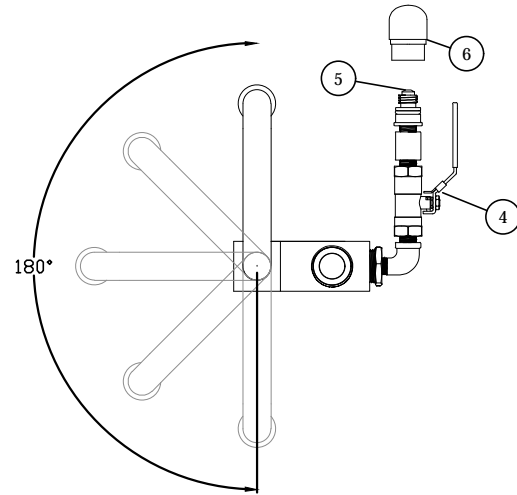
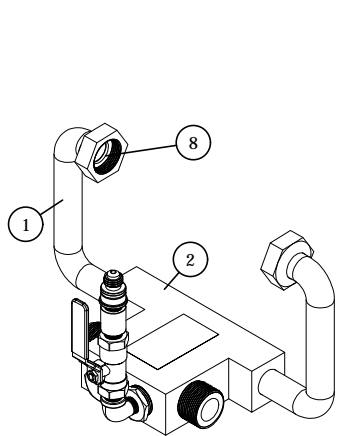


#95WM -ONE METER (1") RESETTER SAMPLING STATION SPEC SHEET



A FRONT VIEW
Scale: 1 1/2"=1'-0"

B SIDE ROTATING HORNS VIEW
Scale: 1 1/2"=1'-0"

C WATER FLOW VIEW
Scale: 1 1/2"=1'-0"

D LAY LENGTH OPTIONS
Scale: 1 1/2"=1'-0"

#95WM-1 Meter (1") Resetter Sampling Station Spec Sheet shall be installed in the following location(s):

Meter Resetter Sampling Station shall be meter box retrofit style for a 1" meter, with 1-1/4" NPS threaded inlet and outlet, both with a face for gasket seal. If desired a dual check valve (brass body) shall be located between the water meter and residence.

Meter setter shall have removable horns that attach to the resetter body via a 3 o-ring slip connection. The meter itself shall hold the horns into the body once installed.

Meter shall be able to be rotated around the horn axis allowing the setter to accommodate for different angles as needed.

To perform sampling, a portable rod with a female coupler will thread onto the s.s. male spring loaded piston valve (#5) connected to the meter setter. This connection shall require a turning motion only, with no pushing or pulling necessary. Male valve shall be located before the water meter, have an auxiliary shut-off valve, and be protected by a PVC or brass cover when not in use.

Unit model # shall be 95WM-ONE-X-X as specified in the product ordering guide as manufactured by Kupferle Foundry Company, St. Louis MO, or approved equal.

ITEM	DESCRIPTION
1	1" COPPER HORN (FLANGE x SLIP)
2	95WM BODY (1" METER x SLIP)
3	S.S. PLUG
4	3/8" LOCKABLE BALL VALVE
5	S.S. MALE SPRING LOADED SAMPLING VALVE
6	PVC COVER WITH CAP
7	O-RING SLIP JOINT
8	1" EPDM RUBBER METER GASKET

RESETTER PRODUCT ORDERING GUIDE									
MODEL#	95WM	-	ONE	-	S	-	N		
SUBSECTION	1		2		3		4		
SUBSECTION DESCRIPTION	MODEL #	OPTIONS	DESCRIPTIONS						
MODEL	1	95WM	PVC RESETTER						
SIZE	2	ONE	1" METER						
SAMPLING OPTIONS	3	FXT	5/8" x 3/4" METER						
		S	STANDARD SAMPLING ASSEMBLY						
		N	NONE (RESETTER CONFIGURATION)						
LAY LENGTH OPTIONS	4	BD	BRASS DUAL CHECK VALVE (INLINE)						
		BI	BRASS IDLER						
		PI	PVC IDLER						

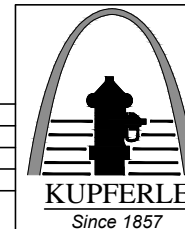
NOTES:

- THE DUAL CHECK VALVE:
 - A.Y. McDONALD (BRASS) DUAL CHECK MANUFACTURED IN COMPLIANCE WITH ANSI/ASSE 1024 AND COMPLIANT WITH USA PUBLIC LAW 111-380 AND IDENTIFIED WITH "NL".
- IDLER OPTIONAL WITH DIFFERENT BODY STYLES AVAILABLE (PVC OR BRASS):
 - KUPFERLE (PVC) IDLER
 - A.Y. McDONALD (BRASS) IDLER COMPLIANT WITH USA PUBLIC LAW 111-380 AND IDENTIFIED WITH "NL".

		MAXIMUM WORKING WATER PRESSURE: 175 PSI
		TEMPERATURE RANGE: 32° TO 140°F
01/21/19	ISSUED FOR REFERENCE	NOTE: USE ONLY APPROVED SEALANTS. IMPROPER SEALANTS MAY CAUSE BRITTLENESS
DATE	STATUS / REVISION	

#95WM-ONE SAMPLING STATION

	INITIALS	DATE
DRAWN	MAM	01/21/19
APPROVED	DCL	01/22/19
MODIFIED		
SHEET SIZE	SCALE	
A (11x8.5)	1-1/2"=1'	



2511 NORTH 9TH STREET
ST. LOUIS, MO 63102
1-800-231-3990
FAX 314-231-2820
www.hydrants.com