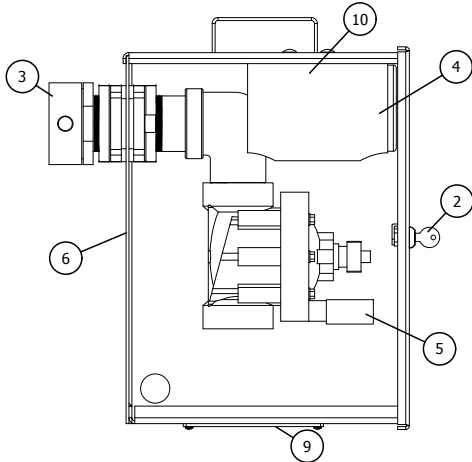
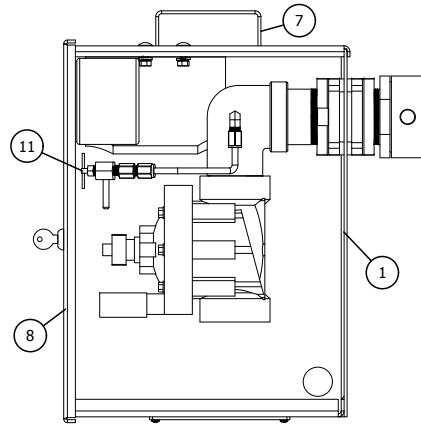


#9700 PORTABLE AUTOMATIC FLUSHING DEVICE SPEC SHEET

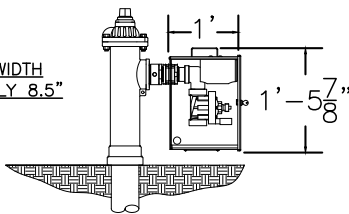


1 STANDARD FLUSHER
Scale: 1-1/2"=1'-0"

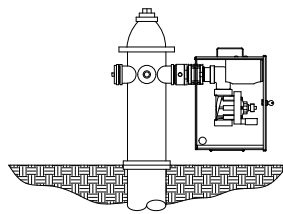


2 FLUSHER WITH SAMPLING
Scale: 1-1/2"=1'-0"

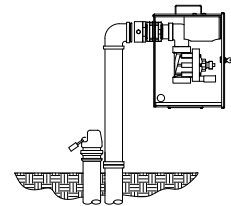
ENCLOSURE WIDTH
APPROXIMATELY 8.5"



A #2 POST HYDRANT
Scale: 3/8"=1'-0"



B FIRE HYDRANT
Scale: 3/8"=1'-0"



C #77 BLOW-OFF
Scale: 3/8"=1'-0"

A 2-1/2" NST swivel connection shall lead into a 2" automatic flushing valve. The automatic flushing valve shall control the flow of water through the hydrant and its diaphragm with the extension and retraction of a DC latching solenoid and have a 220 PSI rating. Each unit shall be furnished with a stand-alone valve controller. The valve controller will not require a second hand-held device for programming. Controller must have minimum of 12 possible flushing cycles per day. Controller shall be submersible to 12 feet, operate with a 9 volt battery, and have resin-sealed electrical components. The solenoid shall have no loose parts when removed from the valve.

All components shall be housed in a lockable powder coated (Specify RED or YELLOW upon ordering) aluminum enclosure, with 3/4" perforations in the floor to diffuse discharged water.

A removable floor plate shall allow access to a 2" FIP outlet as needed.

Optional collar lock shall cover the 2-1/2" swivel to prevent any tampering with or removal of the device.

Optional directional diffuser shall be available to be installed via the removable access plate to allow controlled directional flow of discharged water.

Optional dechlorination tablet holder shall sit inside of the enclosure in the path of the discharged water.

Unit model # shall be 9700 as manufactured by Kupferle Foundry Company, St. Louis MO, or approved equal.

ITEM	ITEM / DESCRIPTION	NOTES
1	POWDER COATED ALUMINUM ENCLOSURE	
2	KEY & LOCK	
3	2-1/2" NST BRASS SWIVEL	
4	VALVE CONTROLLER	
5	DC LATCHING SOLENOID	
6	2" PGV VALVE	
7	HANDLE	
8	ACCESS DOOR	
9	REMOVABLE PLATE	
10	STANDARD CONTROLLER HOLDER	
11	SAMPLING VALVE	OPTIONAL
12	WATER DIFFUSER FLOOR	NOT SHOWN

#9700 AUTOMATIC FLUSHING
DEVICE TO BE INSTALLED AT
THE FOLLOWING LOCATIONS:

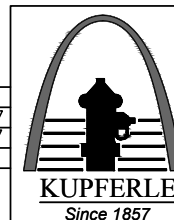
DD/MM/YY	ISSUED FOR REFERENCE
DATE	STATUS / REVISION

PATENTED

	INITIALS	DATE
DRAWN	SMS	08/28/17
APPROVED	DCL	11/10/17
MODIFIED		

9700 AUTOMATIC FLUSHER SPEC SHEET

SCALE
VARIES



2511 NORTH 9TH STREET
ST. LOUIS, MO 63102
1-800-231-3990
FAX 314-231-2820
www.hydrants.com