

PATENTED

9700 CUT SHEET

PARTS LIST

ITEM	QTY	PART NUMBER	DESCRIPTION	NOTES
1	1	9701-R	ENCLOSURE (RED)	
2	1	9703-G	GASKET FOR SWIVEL COUPLING	
3	0.50	4PVC	CONTROLLER HOLDER	
4	1	9517	VALVE CONTROLLER	
5	2	9400A-38	BOLT FOR CONTROLLER HOLDER	
6	1	9433	SOLENOID COVER	A
7	1	9703	2-1/2" NST X 2" NPT BRASS SWIVEL	
8	2	9458	1/4 S.S. Lock Washer	
9	1	9715	SWIVEL DEBRIS SCREEN	
10	1	HV458200	SOLENOID	
11	1	9515	2" ICV VALVE	
12	1	290SSL	2" S.S. STREET ELBOW	
13	1	9708-R	COLLAR LOCK FOR SWIVEL (RED)	
14	1	9440	2" SCH. 80 PVC THREADED FLANGE	
15	1	9711	2" S.S. PIPE THREADED	
16	1	79B	2" S.S. COUPLING	
17	4	9461	3/8" S.S. Lock Washer	
18	4	77Q	3/8"-16 S.S. Hex Nut	
19	4	9706	3/8-16 1.75" S.S. CARRIAGE BOLT	
20	2	345-N-9400	1/4" S.S. NUT	
21	1	9434	CONTROLLER COVER BUTTON	C
22	2	9518	9 VOLT BATTERY	A
23	1	9702	CAM LOCK W/ KEY	
60	1	9704	SCREW FOR PLATE	
61	1	9705	NUT FOR PLATE	

OPTIONAL/REPAIR PARTS ONLY

24	0	2SSN	2" S.S. NIPPLE	
25	0	66S01	PETCOCK BODY	
26	0	66S02	PETCOCK NUT	
27	0	66S03	PETCOCK PLUNGER	
28	0	66S04	PETCOCK ROD PIN	
29	0	66S05	PETCOCK NOZZLE	
30	0	66S08	O-RING (PETCOCK NUT)	
31	0	66S10	O-RING (PETCOCK PLUNGER)	
32	0	66S22	PETCOCK CAP	A
33	0	66S33	1/4" COMP. x 1/8" FIP ADAPTER	
34	0	88-7-SS	1/4" S.S. TUBING	
35	0	88-8-SS	1/4" COMP. x 1/8" MIP ELBOW	
36	0	9519	TORO SOLENOID	C
37	0	9700-Y	9700 ENCLOSURE (YELLOW)	S
38	0	9702-K	KEY ONLY FOR 9700 LOCK	A,C
39	0	9708-Y	COLLAR LOCK FOR SWIVEL (YELLOW)	C,S

ICV PARTS LIST (6 BOLTS)

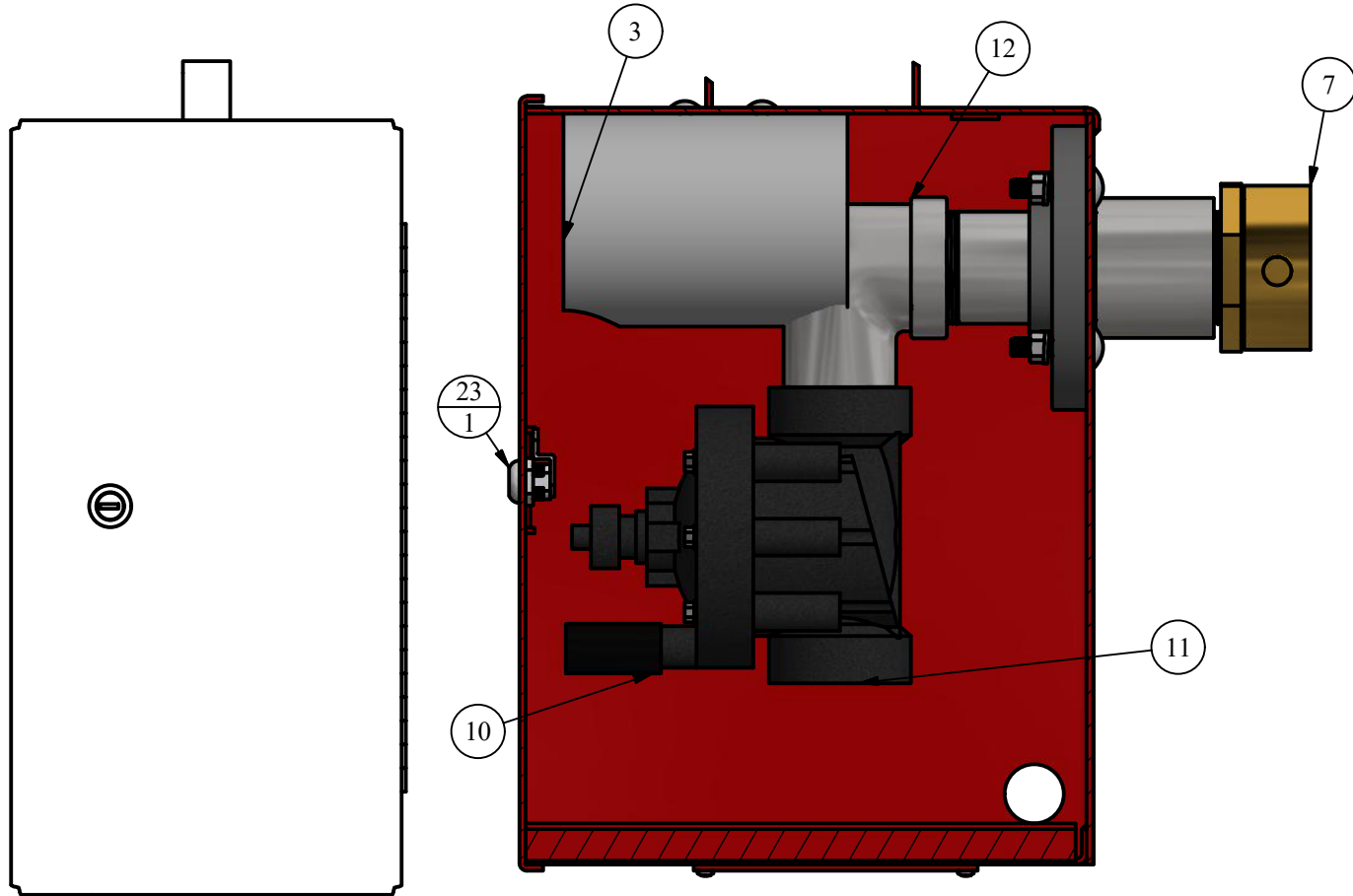
40	*	HV365400	9515 VALVE SPRING	
41	*	HV365500	9515 VALVE BODY	
42	*	HV365900	9515 DIAPHRAGM SUPPORT	
43	*	HV366700	9515 BONNET BOLT	
44	*	HV371600	9515 E-CLIP RETAINER	
45	*	HV374500	9515 DIAPHRAGM ASSEMBLY	
46	*	HV380600	9515 BONNET	
47	*	HV412700	9515 FLOW CONTROL HANDLE	
57	*	HV560800	9515 FLOW CONTROL ASSEMBLY	

PGV REPAIR PARTS LIST (12 BOLTS)

48	*	HV414200	9516 VALVE SPRING	
49	*	HV414600	9516 FLOW CONTROL ASSEMBLY	
50	*	HV414800	9516 DIAPHRAGM SUPPORT	
51	*	HV415400	9516 VALVE PLUG O-RING	
52	*	HV415500	9516 BONNET	
53	*	HV415600	9516 DIAPHRAGM ASSEMBLY	
54	*	HV419300	9516 BODY PLUG	
55	*	HV433300	9516 VALVE BODY	
56	*	HV472800	9516 BONNET SCREW	
58	*	HV561200	9516 FLOW CONTROL KNOB	
59	*	HV561500	9515/9516 BLEED SCREW ASSEMBLY	

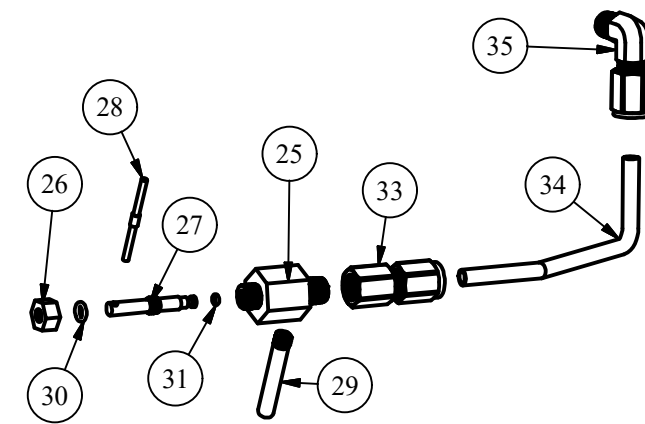
OPTIONAL & REPAIR KITS

PART NUMBER	DESCRIPTION	PARTS INCLUDED
X380600	9515 ICV BONNET COMPLETE	HV380600 BONNET (1), HV561200 KNOB (1), HV561500 BLEED SCREW (1), HV371600 E-CLIP (1), HV560800 FLOW CONTROL (1)
X415500	9516 BONNET COMPLETE	HV415500 BONNET (1), HV412700 KNOB (1), HV561500 BLEED SCREW (1), HV414600 FLOW CONTROL (1)
X66-PETCOCK	STAINLESS STEEL PETCOCK ASSEMBLY	66S01 BODY (1), 66S08 O-RING (1), 66S02 NUT (1), 66S03 PLUNGER (1), 66S10 O-RING (1), 66S04 PIN (1), 66S05 NOZZLE (1), 66S22 CAP (1)
X9517	CONTROLLER WITH BATTERY	9517 CONTROLLER (1), 9518 BATTERY (2), 9434 COVER (1), HV458200 SOLENOID (1)
X9700-RED	ALUMINUM BOX RED	9701-R BOX (1), 9702 LOCK AND KEY (1), 9704 SCREW FOR PLATE (4), 9705 NUT FOR PLATE (4)
X9700-YELLOW	ALUMINUM BOX YELLOW	9701-Y BOX (1), 9702 LOCK AND KEY (1), 9704 SCREW FOR PLATE (4), 9705 NUT FOR PLATE (4)
X9709	DECHLORINATION DIFFUSER COMPLETE	9710 PLATE (1), 9717 RIVET (5)
X9713	WATER DIVERTER (SPECIFY COLOR)	9713 WATER DIVERTER (1), 9722 WATER DIVERTER BRACE (1), 9723 BOLT FOR DIVERTER BRACE (1), 2SSP S.S. NIPPLE (1)
Z9785	CONVERSION KIT	9517 CONTROLLER (1), 9518 BATTERY (1), 9417 BUTT SPLICE (2), 9418 HEAT SHRINK TUBING (0.25), 9434 CONTROLLER COVER (1), 9445 HEAT SHRINK TUBING (0.25), 9519 SOLENOID (1)
Z9700-BLUETOOTH	BLUETOOTH CONVERSION KIT	9530 BLUETOOTH CONTROLLER (1), HV458200 SOLENOID (1) (PRECONNECTED), 9518 BATTERY (2)

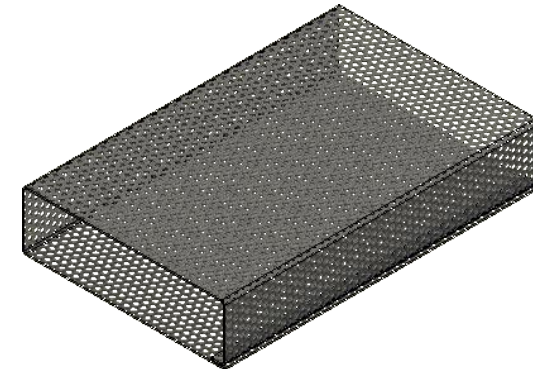


SECTION H-H
SCALE 1/4

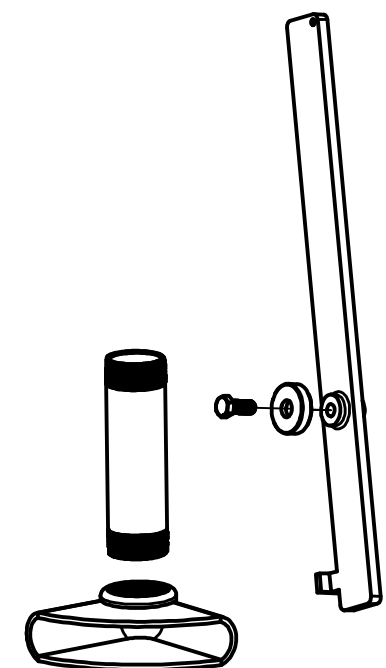
OPTIONAL SAMPLING POINT



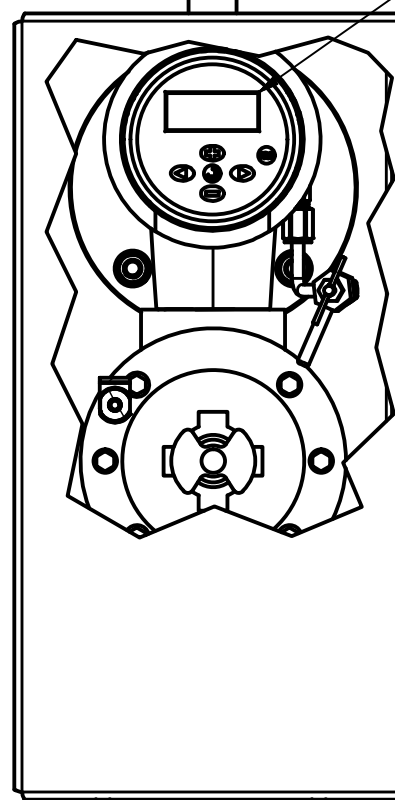
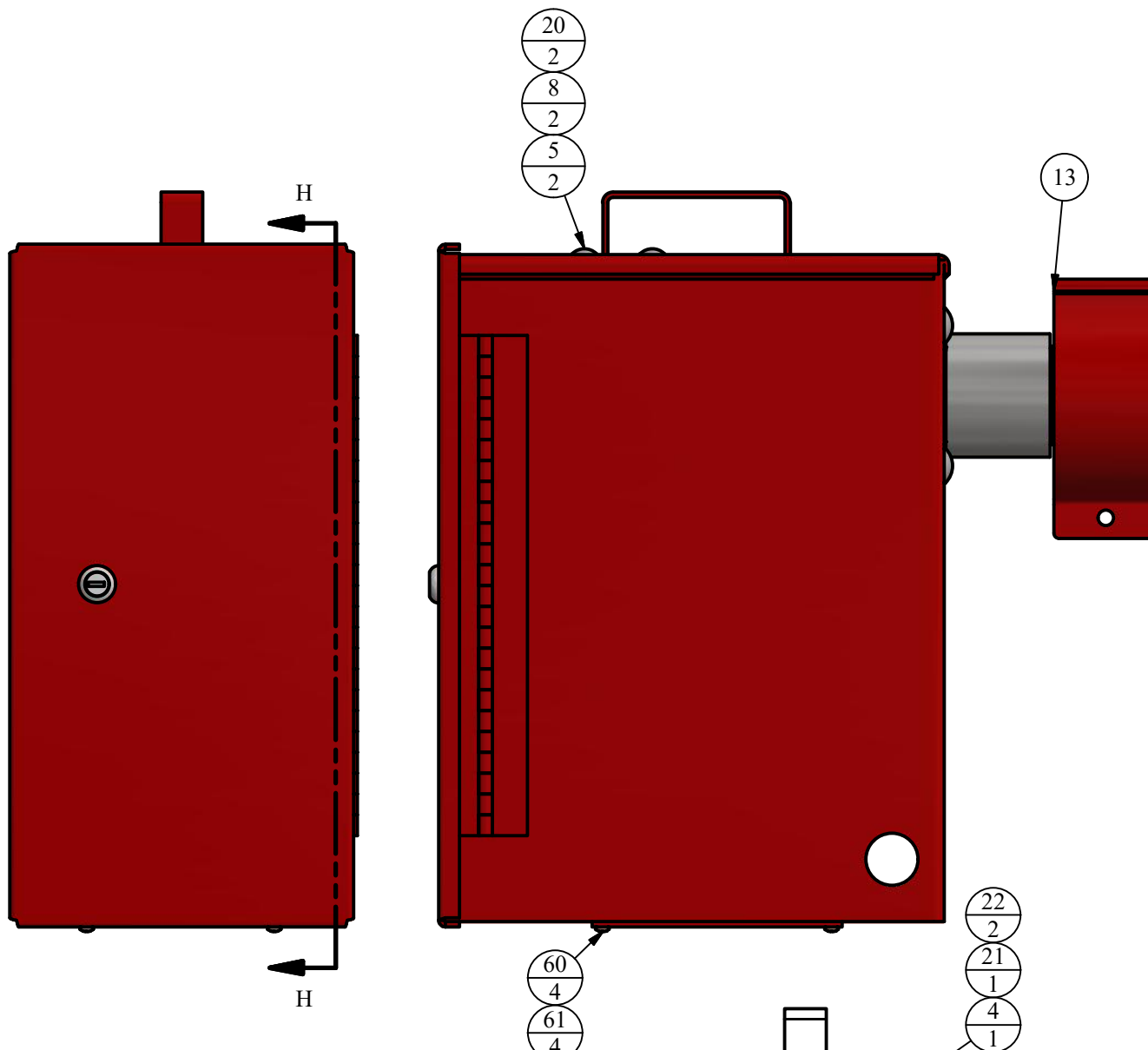
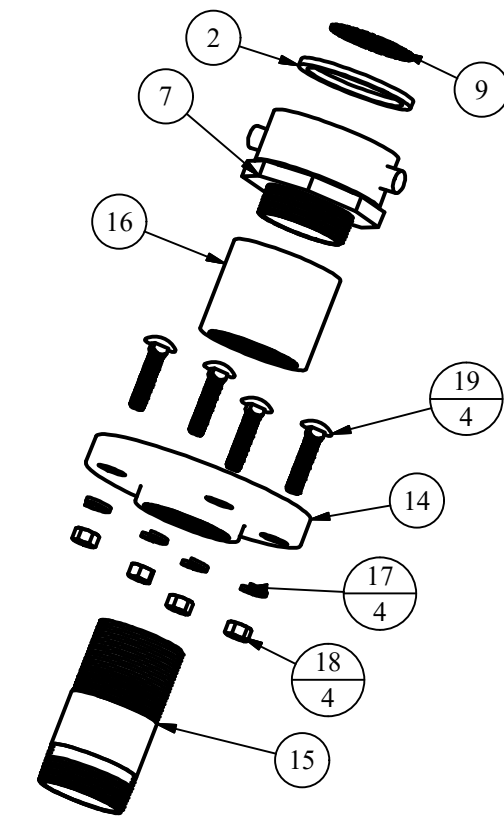
OPTIONAL X9709



OPTIONAL X9713 DIVERTER KIT



INLET ASSEMBLY



9700 WITH OPTIONAL SAMPLING POINT

LEGEND

- (X) → STANDARD TAG
- (X/Y) → TAG WITH Y QUANTITY

NOTE	DESCRIPTION
A	NOT SHOWN
C	SOLD AS REPLACEMENT PART
S	SPECIFY COLOR ON ORDER

DISCLAIMER

THIS DRAWING IS THE PROPERTY OF THE KUPFERLE FOUNDRY COMPANY. IT IS NOT TO BE USED OR DUPLICATED WITHOUT THE PERMISSION OF THE OWNER

DRAWN	SMS	8/18/2017
CHECKED	DCL	3/27/2018
MODIFIED	KJW	08/05/2020
SIZE	C	
SCALE		1/4
DWG NO	#9700 Cut_Rev3	



SHEET	REV
1 OF 1	3