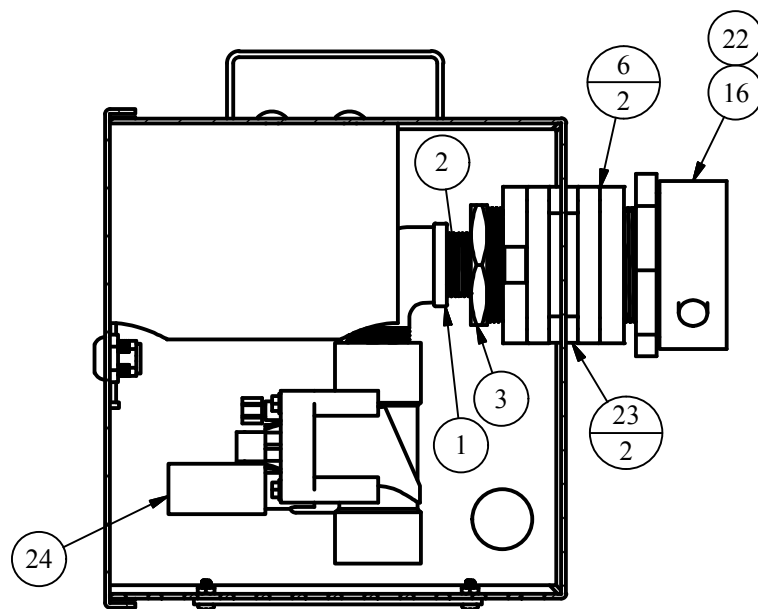
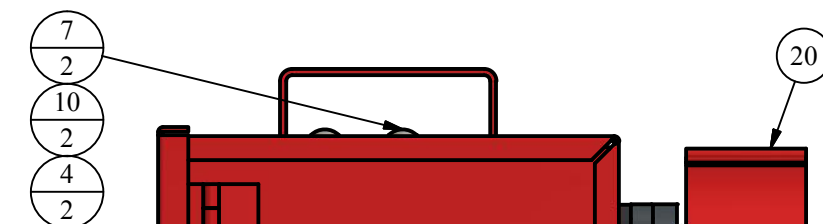
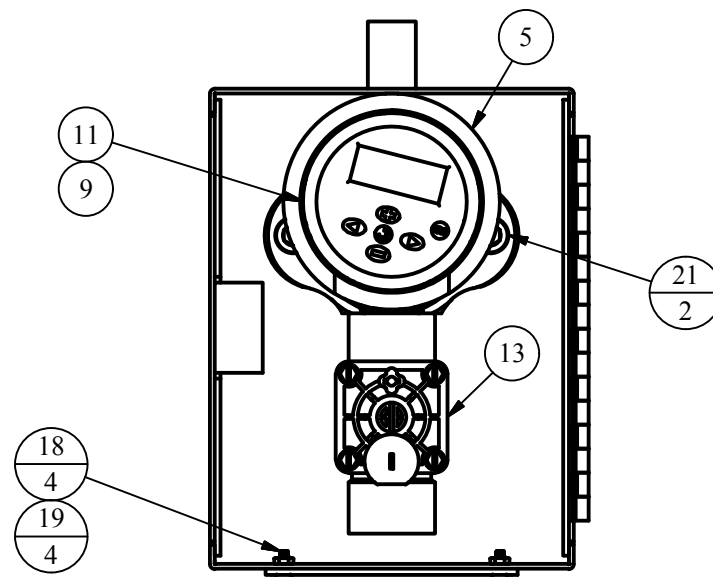
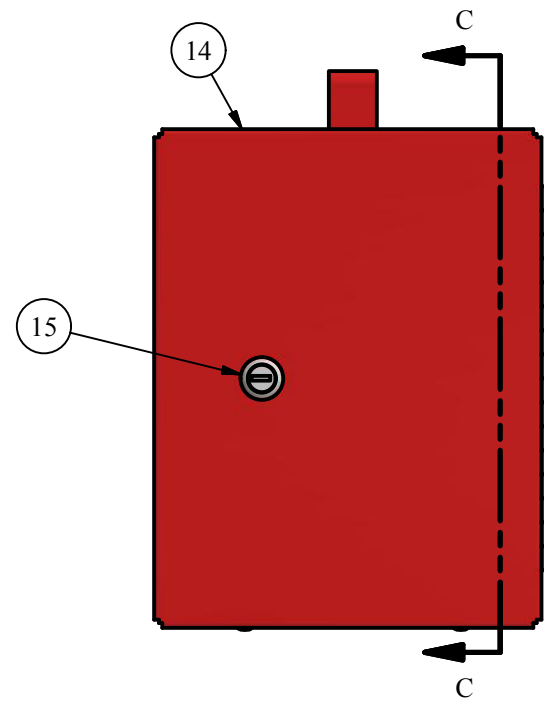


# PATENTED

# 9700A CUT SHEET

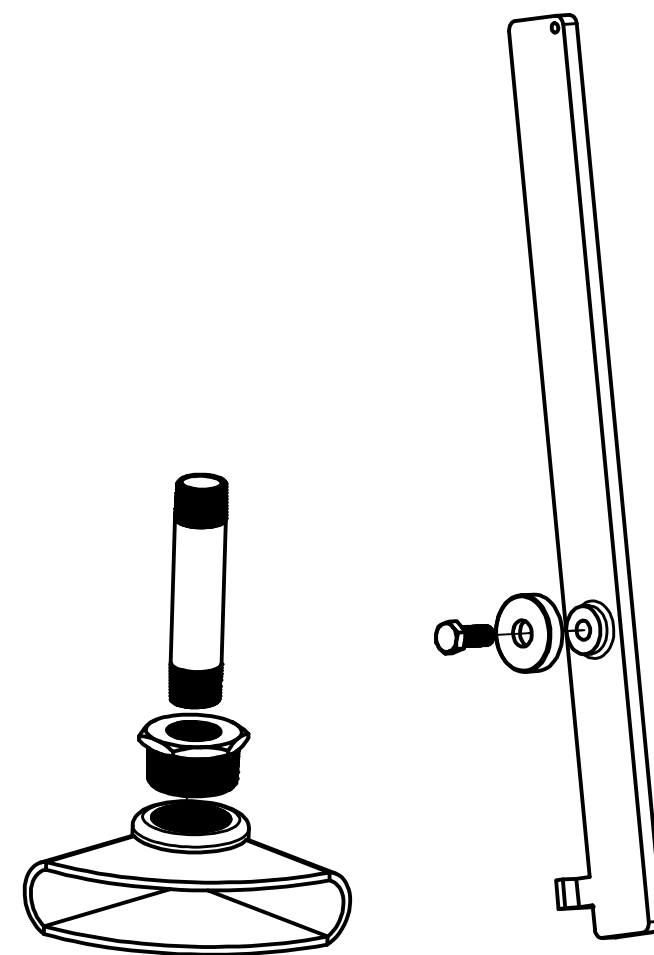
### PARTS LIST

ITEM	QTY	PART NUMBER	DESCRIPTION	NOTES
1	1	190SSL	1" S.S. STREET ELBOW	
2	1	1SSCN	1" S.S. CLOSE NIPPLE	
3	1	2 X 1SHB	2" x 1" S.S. HEX BUSHING	
4	2	345-N-9400	1/4" S.S. NUT	
5	0.50	4PVC	CONTROLLER HOLDER	
6	2	77F	IRON NECK	C
7	2	9400A-38	BOLT FOR CONTROLLER HOLDER	
8	1	9433	COVER FOR SOLENOID	
9	1	9434	CONTROLLER COVER BUTTON	C
10	2	9458	1/4" S.S. LOCK WASHER	
11	1	9517	VALVE CONTROLLER	
12	2	9518	9 VOLT BATTERY	
13	1	9520	1" PGV VALVE	C
14	1	9701A-R	9700A ENCLOSURE (RED)	S
15	1	9702	CAM LOCK w/ KEY	C
16	1	9703	2-1/2" NST X 2" NPT BRASS SWIVEL	C
17	1	9703-G	GASKET FOR SWIVEL COUPLING	C
18	4	9704	SCREW FOR PLATE	C
19	4	9705	NUT FOR PLATE	C
20	1	9708-R	COLLAR LOCK FOR SWIVEL (RED)	C,S
21	2	9714	BOLT FOR 9700	
22	1	9715	SWIVEL DEBRIS SCREEN	C
23	2	9724	ENCLOSURE GASKET FOR 9700	C
24	1	HV458200	SOLENOID	
OPTIONAL/REPAIR PARTS LIST				
25	0	9701A-Y	9700A ENCLOSURE (YELLOW)	S
26	0	9702-K	KEY ONLY FOR LOCK	C
27	0	9708-Y	COLLAR LOCK FOR SWIVEL (YELLOW)	C,S
28	0	9713	WATER DIVERTER	
29	0	9722	DIVERTER BAR	
30	0	9723	BOLT FOR DIVERTER	

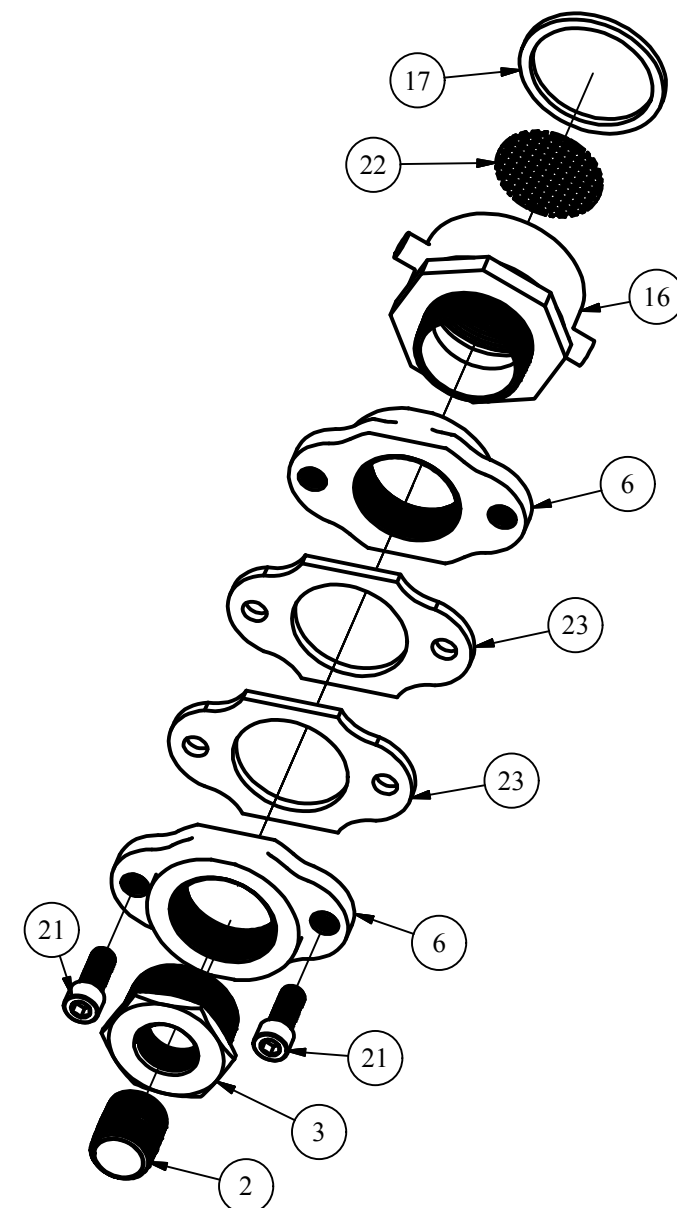


SECTION C-C  
SCALE 1 / 4

### OPTIONAL X9714 DIVERTER KIT



### INLET ASSEMBLY



### REPAIR KITS

PART NUMBER	DESCRIPTION	PARTS INCLUDED
X9517	CONTROLLER WITH BATTERY	9517 CONTROLLER (1), 9518 BATTERY (2), 9434 COVER (1), HV458200 SOLENOID (1)
X9700A-RED	9700-A ALUMINUM BOX RED	9701A-R BOX (1), 9702 LOCK AND KEY (1), 9704 SCREW FOR PLATE (4), 9705 NUT FOR PLATE (4)
X9700A-YELLOW	9700-A ALUMINUM BOX YELLOW	9701A-Y BOX (1), 9702 LOCK AND KEY (1), 9704 SCREW FOR PLATE (4), 9705 NUT FOR PLATE (4)
X9714	9700 1" DIFFUSER (SPECIFY COLOR)	1SSP S.S. PIPE (0.5), 2 X 1SHB BUSHING (1), 9713 WATER DIVERTER (1), 9723 BOLT FOR DIVERTER (1), 9722 DIVERTER BRACE (1)

NOTE	DESCRIPTION
A	NOT SHOWN
C	SOLD AS REPLACEMENT PART
S	SPECIFY COLOR ON ORDER

**DISCLAIMER**  
THIS DRAWING IS THE PROPERTY OF THE KUPFERLE FOUNDRY COMPANY. IT IS NOT TO BE USED OR DUPLICATED WITHOUT THE PERMISSION OF THE OWNER.

### LEGEND

- (X) → STANDARD TAG
- (X/Y) → TAG WITH Y QUANTITY

DRAWN	4/11/2018
SMS	
CHECKED	
DCL	11/5/2018
MODIFIED	
SIZE	SCALE
C	1 / 4
DWG NO	SHEET
#9700A Cut_Rev0	1 OF 1
	REV
	0

