

PATENTED

9700A CUT SHEET

PARTS LIST

ITEM	QTY	PART NUMBER	DESCRIPTION	NOTES
1	1	190SSL	1" S.S. STREET ELBOW	
2	6,000	1SSP	1" SS PIPE T X LT	
3	1	2 X 1SBR	2 X 1 S.S. BELL REDUCER	
4	2	345-N-9400	S.S. NUT FOR CONTROLLER HOLDER	
5	0.50	4PVC	CONTROLLER HOLDER	
6	4	77Q	S.S. HEX NUT FOR FLANGE MOUNT	
7	2	9400A-38	BOLT FOR CONTROLLER HOLDER	
8	1	9431	CONTROLLER HOLDER COVER	
9	1	9433	SOLENOID COVER	
10	1	9434	CONTROLLER COVER BUTTON	C
11	1	9440-PL	HDPE MOUNTING FLANGE	
12	2	9458	S.S. LOCK WASHER FOR CONTROLLER HOLDER	
13	4	9461	S.S. LOCK WASHER FOR FLANGE MOUNT	
14	1	9517	VALVE CONTROLLER	C
15	2	9518	9 VOLT BATTERY	
16	1	9520	1" PGV VALVE	C
17	1	9701A-R	9700A ENCLOSURE (RED)	S
18	1	9702	CAM LOCK w/ KEY	C
19	1	9703	2-1/2" NST X 2" NPT BRASS SWIVEL	C
20	4	9704	SCREW FOR PLATE	C
21	4	9705	NUT FOR PLATE	C
22	4	9706	S.S. CARRIAGE BOLT FOR FLANGE MOUNT	
23	4	9707	S.S. FLAT OVERSIZE WASHER FOR FLANGE MOUNT	
24	1	9708-R	COLLAR LOCK FOR SWIVEL (RED)	C,S
25	1	9715	SWIVEL DEBRIS SCREEN	C
26	1	HV458200	DC LATCHING SOLENOID	C

OPTIONAL/REPAIR PARTS LIST

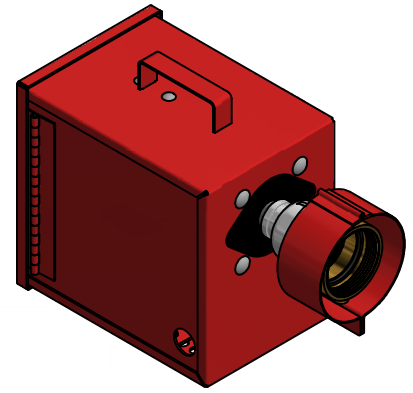
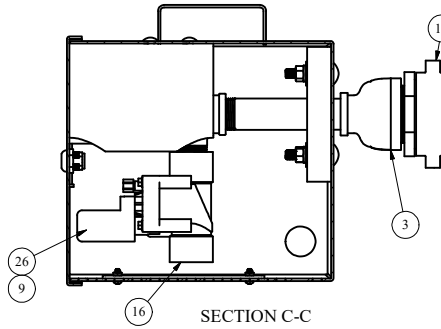
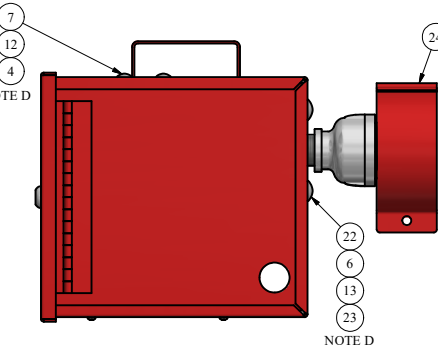
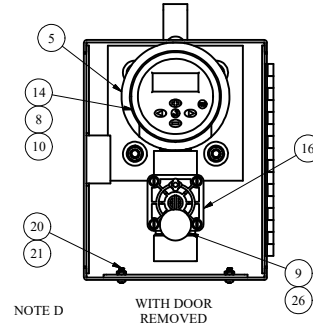
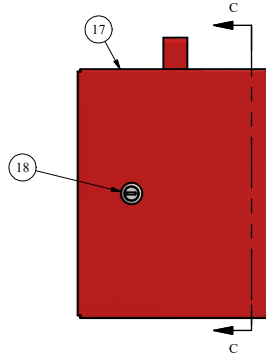
ITEM	QTY	PART NUMBER	DESCRIPTION	NOTES
27	0	9701A-Y	9700A ENCLOSURE (YELLOW)	S
28	0	9702-K	KEY ONLY FOR LOCK	C
29	0	9708-Y	COLLAR LOCK FOR SWIVEL (YELLOW)	C,S
30	0	9713	WATER DIVERTER	
31	0	9722	DIVERTER BAR	
32	0	9723	BOLT FOR DIVERTER	
33	1	1SSP	1" S.S. PIPE FOR DIVERTER	
34	1	9722-W	DIVERTER MOUNTING WASHER	
35	1	2 X 1SHB	2" X 1" S.S. HEX BUSHING	

OLD STYLE INLET PARTS

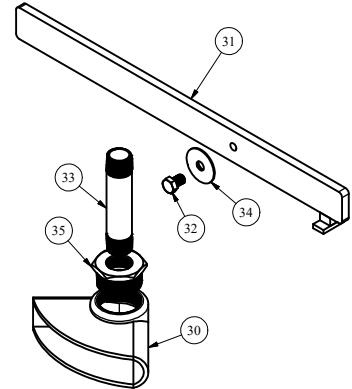
ITEM	QTY	PART NUMBER	DESCRIPTION
36	2	77F	NECK
37	2	9714	PEDESTAL BOLT
38	2	9724	ENCLOSURE GASKET FOR 9700
39	1	2 X 1SHB	2" x 1" S.S. HEX BUSHING
40	1	1SSCN	1" S.S. CLOSE NIPPLE

OPTIONS/REPAIR KITS

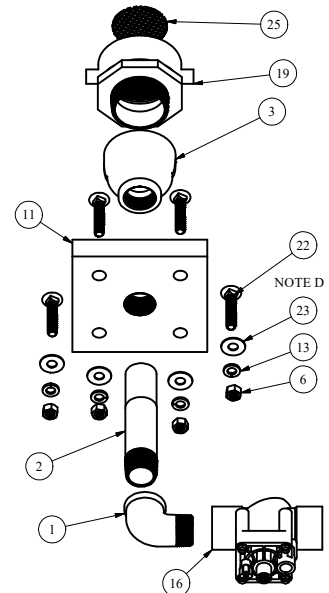
PART NUMBER	DESCRIPTION	PARTS INCLUDED
X9517	CONTROLLER WITH BATTERY	9517 CONTROLLER (1), 9518 BATTERY (2), 9434 COVER (1), HV458200 SOLENOID (1)
X9700A-RED	9700-A ALUMINUM BOX RED	9701A-R BOX (1), 9702 LOCK AND KEY (1), 9704 SCREW FOR PLATE (4), 9705 NUT FOR PLATE (4)
X9700A-YELLOW	9700-A ALUMINUM BOX YELLOW	9701A-Y BOX (1), 9702 LOCK AND KEY (1), 9704 SCREW FOR PLATE (4), 9705 NUT FOR PLATE (4)
X9714	9700 1" DIFFUSER (SPECIFY COLOR)	1SSP S.S. PIPE (0.5), 2 X 1SHB BUSHING (1), 9713 WATER DIVERTER (1), 9723 BOLT FOR DIVERTER (1), 9722 DIVERTER BRACE (1), 9722-W WASHER (1)
Z9700-BLUE TOOTH	BLUETOOTH CONVERSION KIT	9530 BLUETOOTH CONTROLLER (1) 9531 BATTERY FOR BLUETOOTH (2), HV458200 SOLENOID (1) (PREATTACHED)



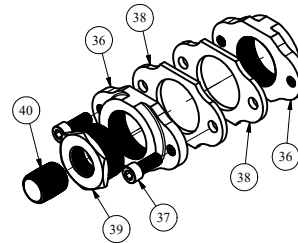
OPTIONAL X9714 DIVERTER KIT



INLET ASSEMBLY



OLD STYLE INLET



DRAWN SMS 4/11/2018
 CHECKED DCL 11/5/2018
 MODIFIED ADC 7/17/2023

SIZE C SCALE 1/4

DWG NO #9700A



2511 NORTH 9TH ST.
 ST. LOUIS, MO 63102
 1-800-231-3990

SHEET 1 OF 1 REV 2.1

LEGEND

- (X) → STANDARD TAG
- (X/Y) → TAG WITH Y QUANTITY

DISCLAIMER
 THIS DRAWING IS THE PROPERTY OF THE KUPFERLE FOUNDRY COMPANY. IT IS NOT TO BE USED OR DUPLICATED WITHOUT THE PERMISSION OF THE OWNER.

NOTE	DESCRIPTION
A	NOT SHOWN
C	SOLD AS REPLACEMENT PART
D	BOLT ASSEMBLY USED ON ALL SIMILAR HOLES/BRACKETS
S	SPECIFY COLOR ON ORDER