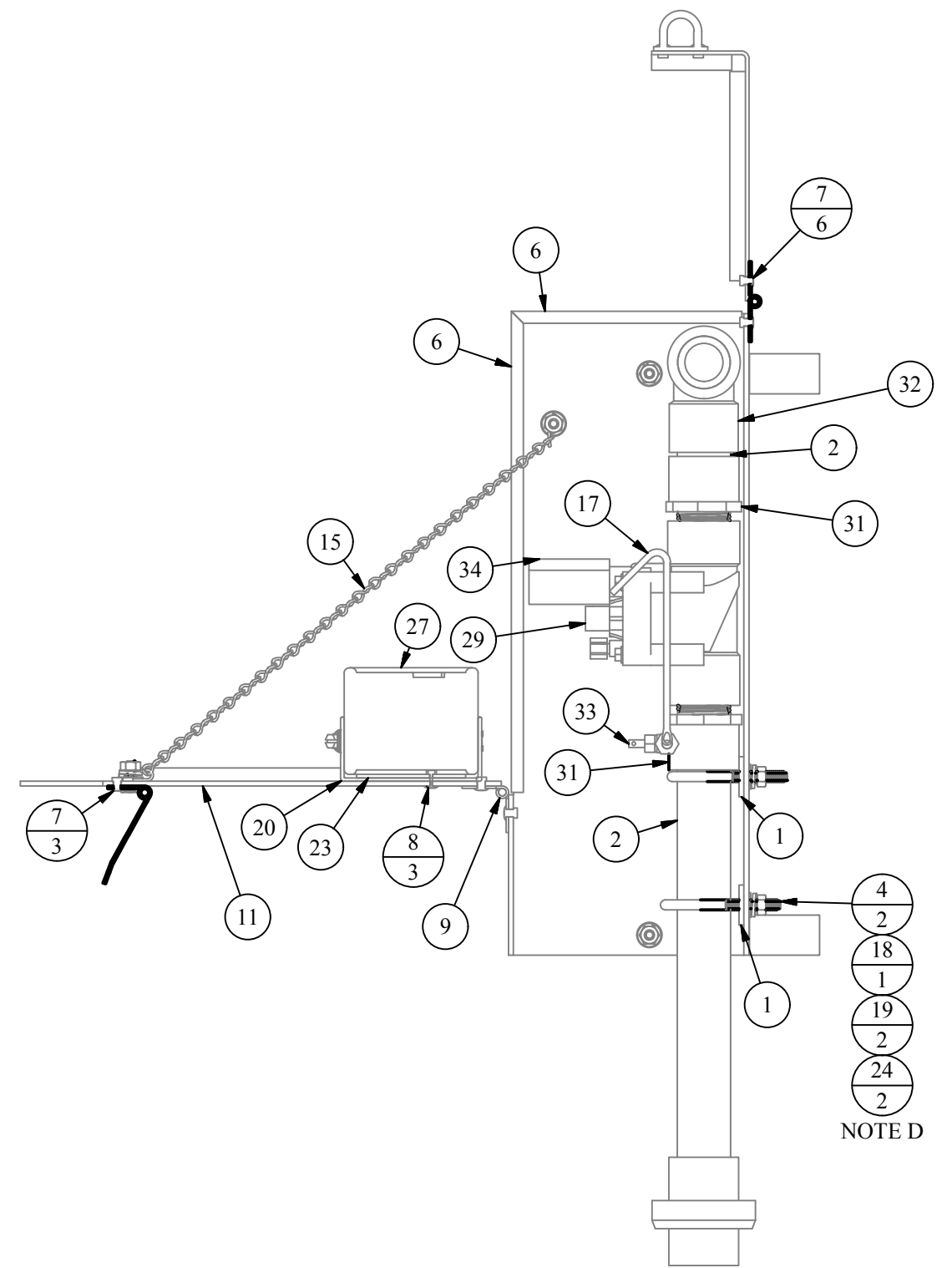
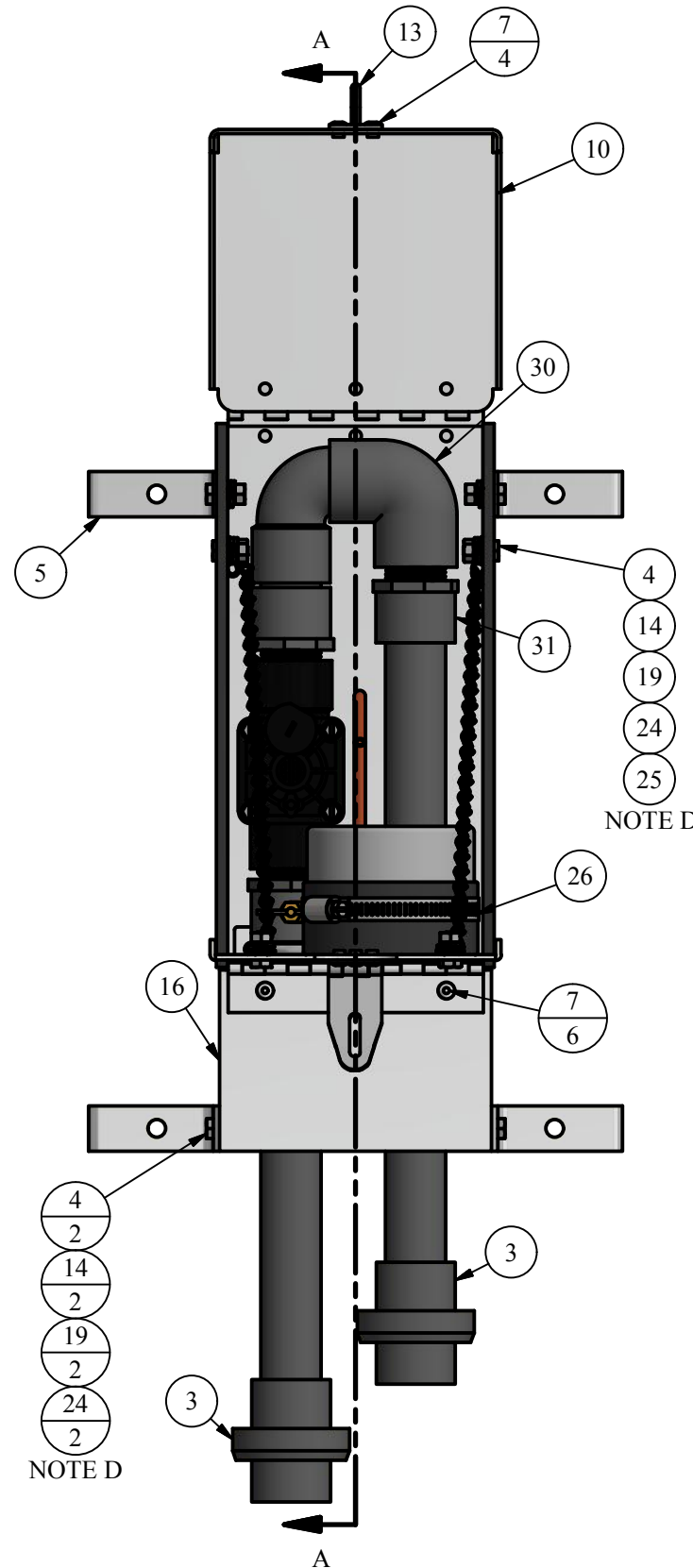


9766MB CUT SHEET

PARTS LIST

ITEM	QTY	PART NUMBER	DESCRIPTION	NOTES
1	0.5	1ALBAR	MOUNTING SPACER	
2	2	1PVC	1" SCH. 80 PVC PIPE	
3	2	1PVCU	1" SCH. 80 PVC UNION (1" GLUE X FIP)	
4	2	345-N-9400	1/4" S.S. NUT	
5	0.33	5 ALUM ANGLE	WALL MOUNTING BRACKET	
6	3	66S17	RUBBER TRIM	
7	19	66S18	STANDARD RIVET	
8	3	66S19	LONG RIVET (CONTROLLER HOLDER)	
9	0.94	66S21	HINGE	
10	1	66S23	ENCLOSURE LID	
11	1	66S24	ENCLOSURE DOOR	
12	1	66S37	PADLOCK HASP	
13	1	66S38	PADLOCK EYE	
14	2	66S47	S.S. HEX BOLT	
15	2	66S51	CHAIN	
16	2	6ALSQ	ENCLOSURE (ALUMINUM)	
17	0.75	88-7	1/4" COPPER TUBING	
18	1	883	1" U-BOLT	
19	2	9419	1/4" S.S. FLAT WASHER	
20	1	9431	CONTROLLER HOLDER COVER	
21	1	9433	SOLENOID COVER	A,C
22	1	9434	CONTROLLER COVER BUTTON	A
23	1	9436	CONTROLLER WASHER	
24	2	9458	1/4" S.S. LOCK WASHER	
25	4	9464	S.S. "S" HOOK	
26	1	9477	S.S. HOSE CLAMP FOR CONTROLLER	
27	1	9517	VALVE CONTROLLER	
28	2	9518	9V BATTERY	A
29	1	9520	1" PGV VALVE	C
30	1	9800A-02	1" SCH. 80 PVC ELBOW (GLUE x THREAD)	
31	3	9800A-07	1" SCH. 80 PVC ADAPTER (MIP x GLUE)	
32	1	9800A-08	1" SCH. 80 STREET ELBOW (GLUE x GLUE)	
33	1	9824	90° BRASS NEEDLE VALVE	
34	1	HV458200	SOLENOID	



SECTION A-A
CENTER SECTION VIEW

REPAIR KITS


PART NUMBER	DESCRIPTION	PARTS INCLUDED
X66-DOOR	ENCLOSURE DOOR COMPLETE	66S24 DOOR (1), 66S37 PADLOCK HASP (1), 66S18 RIVETS (3)
X66-LID	ENCLOSURE LID COMPLETE	66S23 LID (1), 66S38 PADLOCK EYE (1), 66S18 RIVETS (4)
X9517	CONTROLLER WITH BATTERY	9517 CONTROLLER (1), 9518 BATTERY (2), 9434 COVER (1), HV458200 SOLENOID (1)
X9766MB-HOUSING	9766MB ENCLOSURE COMPLETE	66S23 LID (1), 66S37 HASP (1), 66S24 DOOR (1), 66S38 LOCK EYE (1), 66S21 HINGE (0.94), 66S18 RIVET (19), 5 ALUM ANGLE BRACKET (0.2), 66S19 RIVET (3), 66S17 TRIM (3), 6ALSQ ENCLOSURE (2)

NOTE	DESCRIPTION
A	NOT SHOWN
C	SOLD AS REPLACEMENT PART
D	BOLT ASSEMBLY USED ON ALL SIMILAR HOLES/BRACKETS

DISCLAIMER
THIS DRAWING IS THE PROPERTY OF THE KUPFERLE
FOUNDARY COMPANY. IT IS NOT TO BE USED OR
DUPLICATED WITHOUT THE PERMISSION OF THE OWNER.

LEGEND

- (X) → STANDARD TAG
- (X/Y) → TAG WITH Y QUANTITY

DRAWN	SMS	4/9/2018	 Since 1857 2511 NORTH 9TH ST. ST. LOUIS, MO 63102 1-800-231-3990
CHECKED	DCL	8/27/2018	
MODIFIED			
SIZE	SCALE	C 1/4	
DWG NO	9766MB Cut Sheet		SHEET
			1 OF 1
			REV
			0