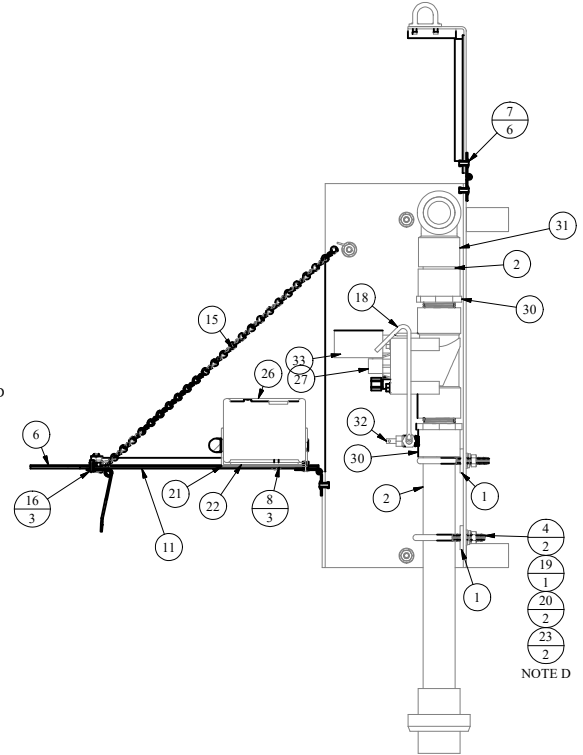
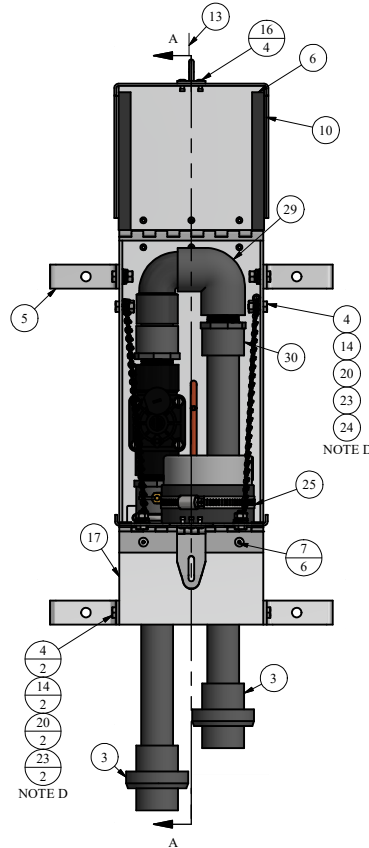


# 9766MB CUT SHEET

## PARTS LIST

ITEM	QTY	PART NUMBER	DESCRIPTION	NOTES
1	7.500 in	1ALBAR	MOUNTING SPACER	
2	36.000 in	1PVC	1" SCH. 80 PVC PIPE	
3	2	1PVCU	1" SCH. 80 PVC UNION (1" GLUE X FIP)	
4	2	345-N-9400	1/4" S.S. NUT	
5	4.000 in	5 ALUM ANGLE	WALL MOUNTING BRACKET	
6	4	66S17	FOAM STRIP	
7	19	66S18	SHORT AL RIVET	
8	3	66S19	LONG RIVET (CONTROLLER HOLDER)	
9	0.94	66S21	HINGE 6in PREDRILLED	
10	1	66S23	ENCLOSURE LID	
11	1	66S24	ENCLOSURE DOOR	
12	1	66S37	PADLOCK HASP	
13	1	66S38	PADLOCK EYE	
14	2	66S47	S.S. HEX BOLT	
15	2	66S51	CHAIN	
16	7	66S90	5/32 AL RIVET	
17	16.000 in	6ALSQ	ENCLOSURE (ALUMINUM)	
18	7.271 in	88-7	1/4" COPPER TUBING	
19	1	883	1" U-BOLT	
20	2	9419	1/4" S.S. Flat Washer	
21	1	9431	CONTROLLER HOLDER COVER	
22	1	9436	CONTROLLER WASHER	
23	2	9458	1/4" S.S. Lock Washer	
24	4	9464	S.S. "S" HOOK	
25	1	9477	S.S. HOSE CLAMP FOR CONTROLLER	
26	1	9517	VALVE CONTROLLER	C
27	1	9520	1" PGV VALVE	C
29	1	9800A-02	1" SCH. 80 PVC ELBOW (GLUE x THREAD)	
30	3	9800A-07	1" SCH. 80 PVC ADAPTER (MIP x GLUE)	
31	1	9800A-08	1" SCH. 80 STREET ELBOW (GLUE x GLUE)	
32	1	9824	90° BRASS NEEDLE VALVE	
33	1	HV458200	DC LATCHING SOLENOID	



## REPAIR KITS

PART NUMBER	DESCRIPTION	PARTS INCLUDED
X66-DOOR	ENCLOSURE DOOR COMPLETE	66S24 DOOR (1), 66S37 PADLOCK HASP (1), 66S18 RIVETS (6), 66S90 RIVETS (3)
X66-LID	ENCLOSURE LID COMPLETE	66S23 LID (1), 66S38 PADLOCK EYE (1), 66S18 RIVETS (6), 66S90 RIVETS (4)
X9517	CONTROLLER WITH BATTERY	9517 CONTROLLER (1), 9518 BATTERY (2), 9434 COVER (1), HV458200 SOLENOID (1)
X9766MB-HOUSING	9766MB ENCLOSURE COMPLETE	66S23 LID (1), 66S37 HASP (1), 66S24 DOOR (1), 66S38 LOCK EYE (1), 66S21 HINGE (0.94), 66S18 RIVET (19), 5 ALUM ANGLE BRACKET (0.2), 66S19 RIVET (3), 66S17 TRIM (3), 6ALSQ ENCLOSURE (2)

NOTE	DESCRIPTION
A	NOT SHOWN
C	SOLD AS REPLACEMENT PART
D	BOLT ASSEMBLY USED ON ALL SIMILAR HOLES/BRACKETS

**DISCLAIMER**  
THIS DRAWING IS THE PROPERTY OF THE KUPFERLE FOUNDRY COMPANY. IT IS NOT TO BE USED OR DUPLICATED WITHOUT THE PERMISSION OF THE OWNER.

## LEGEND

(X) →	STANDARD TAG
(X) →	TAG WITH Y QUANTITY

DRAWN	SMS	4/9/2018
CHECKED	DCL	8/28/2018
MODIFIED	ADC	5/10/2023
SIZE	C	SCALE
		1/4
DWG NO	9766MB Cut Sheet	
SHEET	1 OF 1	REV
		2.1

