

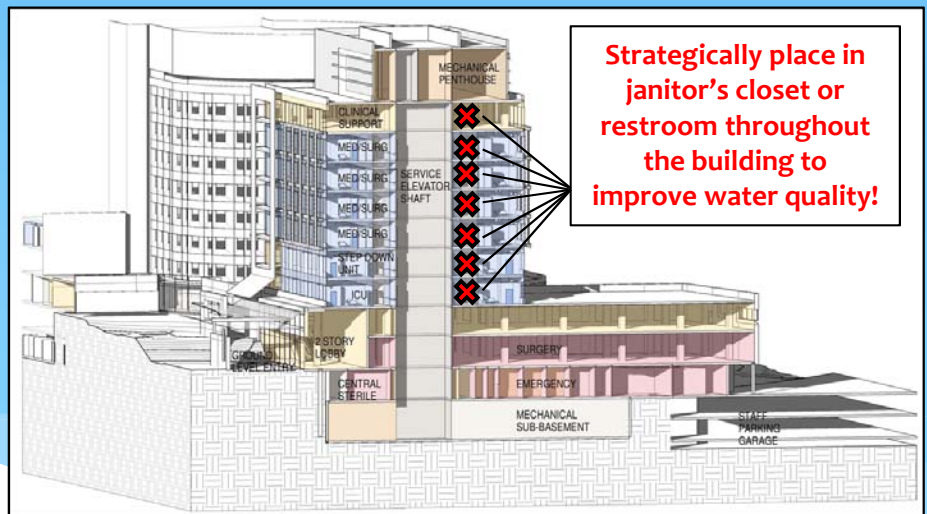
Eclipse #9766-MB Automatic Building Flushing Station



- Improves water quality in buildings by periodically flushing water lines
- Installs easily in a janitor's closet or restroom, flushes to sink or floor drain
- Operates using a 9 volt battery powered digital handheld controller and a 1" adjustable flushing valve
- Easily mounts to the wall and flushes up to 40 gpm

Excellent use for:

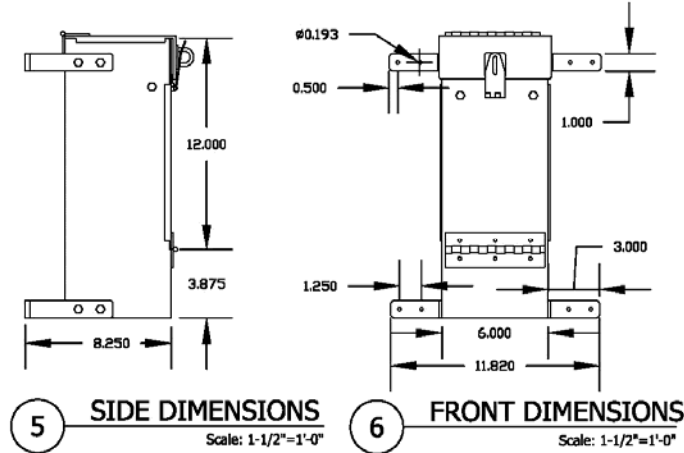
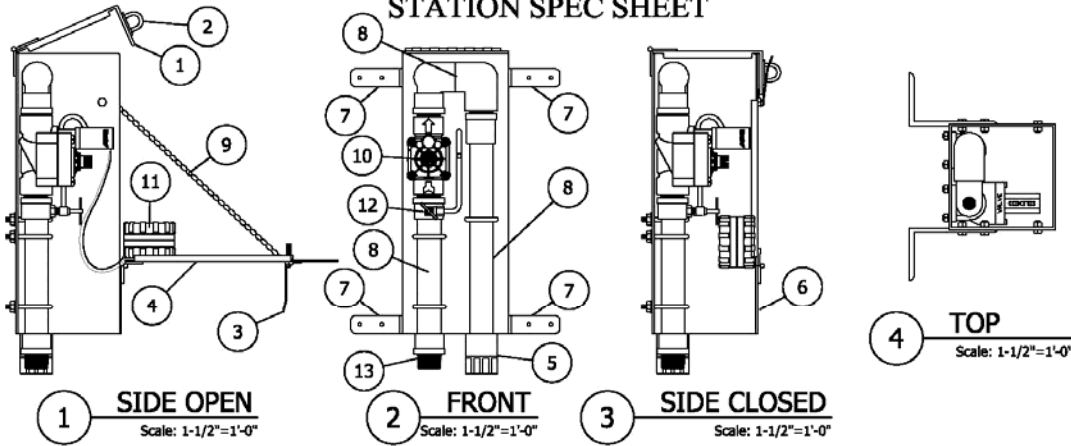
- Schools
- Hospitals
- Office Buildings
- Military Bases



2511 North 9th Street
St. Louis, MO 63102
800-231-3990

www.hydrants.com

#9766-MB WALL MOUNT FLUSHING STATION SPEC SHEET



ITEM	ITEM / DESCRIPTION	NOTES
1	TOP ACCESS DOOR	
2	PADLOCK EYE	
3	PADLOCK HASP	
4	FRONT ACCESS DOOR	
5	1" FIP SCH. 80 PVC OUTLET	NOTE 1
6	6" ALUMINUM SQUARE BOX	
7	WALL MOUNT BRACKETS	
8	1" SCH. 80 PVC WATERWAY	
9	SHELF CHAIN	OPTIONAL
10	1" AUTOMATIC FLUSHING VALVE	
11	CONTROLLER	
12	SAMPLING PETCOCK VALVE	
13	1" FIP SCH. 80 PVC INLET	NOTE 1

#9766MB FLUSHING STATION TO BE INSTALLED AT THE FOLLOWING LOCATIONS:

FLUSHING STATION SHALL BE ENCLOSED IN A LOCKABLE, NON-REMOVABLE 6" SQUARE ALUMINUM BOX WITH HINGED OPENINGS.

STATION SHALL BE WALL-MOUNTED, AND USE A 1" SCH. 80 PVC WATERWAY, WITH A 1" MIP INLET, THAT WILL LEAD VERTICALLY TO THE BOTTOM OF A 1" AUTOMATIC FLUSHING VALVE. THE FLUSHING VALVE SHALL CONTROL THE FLOW OF WATER THROUGH THE HYDRANT AND ITS DIAPHRAGM WITH THE EXTENSION AND RETRACTION OF A DC LATCHING SOLENOID AND HAVE A 150 PSI RATING. EACH UNIT SHALL BE FURNISHED WITH A STAND-ALONE VALVE CONTROLLER. THE VALVE CONTROLLER WILL NOT REQUIRE A SECOND HAND-HELD DEVICE FOR PROGRAMMING. CONTROLLER MUST HAVE MINIMUM OF 12 POSSIBLE FLUSHING CYCLES PER DAY. CONTROLLER SHALL BE SUBMERSIBLE TO 12 FEET, OPERATE WITH A 9 VOLT BATTERY, AND HAVE RESIN-SEALED ELECTRICAL COMPONENTS. THE SOLENOID SHALL HAVE NO LOOSE PARTS WHEN REMOVED FROM THE VALVE. EACH UNIT SHALL HAVE SAMPLING POINT LOCATED BEFORE THE FLUSHING VALVE.

WHEN OPEN, THE STATION REQUIRE NO KEY FOR OPERATION, WITH ALL WATER FLOW PASSING THRU AN ALL SCH. 80 PVC WATERWAY. ALSO, WHEN OPEN, THE STATION SHALL UTILIZE A CHAIN ATTACHED TO THE FRONT DOOR AND INSIDE WALL OF THE ENCLOSURE TO CREATE A FLIP-DOWN TABLE.

THE STATION SHALL BE MODEL #9766MB AS MANUFACTURED BY THE KUPFERLE FOUNDRY, ST. LOUIS MO. 63102 OR APPROVED EQUAL.

NOTES:

- 1.) KUPFERLE CAN PROVIDE 1" TO 3/4" BRASS ADAPTERS IF SPECIFIED.

DRAWN
BAM
APPROVED
DCL
DATE
1/8/15
SCALE
1-1/2"=1'

Since 1857
KUPFERLE FOUNDRY COMPANY
2511 NORTH 9TH STREET, ST. LOUIS, MO 63102
314-231-8738 800-231-3990 FAX 314-231-2820
<http://www.hydrants.com>

DD/MM/YY	ISSUED FOR REFERENCE
DATE	STATUS / REVISION

#9766MB FLUSHING STATION SHEET 1 OF 1



Lockable enclosure easily installs to the wall of a janitor's closet or restroom. Drains to sink or floor drain.



Features:

- 1" Valve
- 1" Inlet/Outlet
- Digital Controller that operates on a 9 volt battery
- Built-in sampling point bibb

Distributed by: