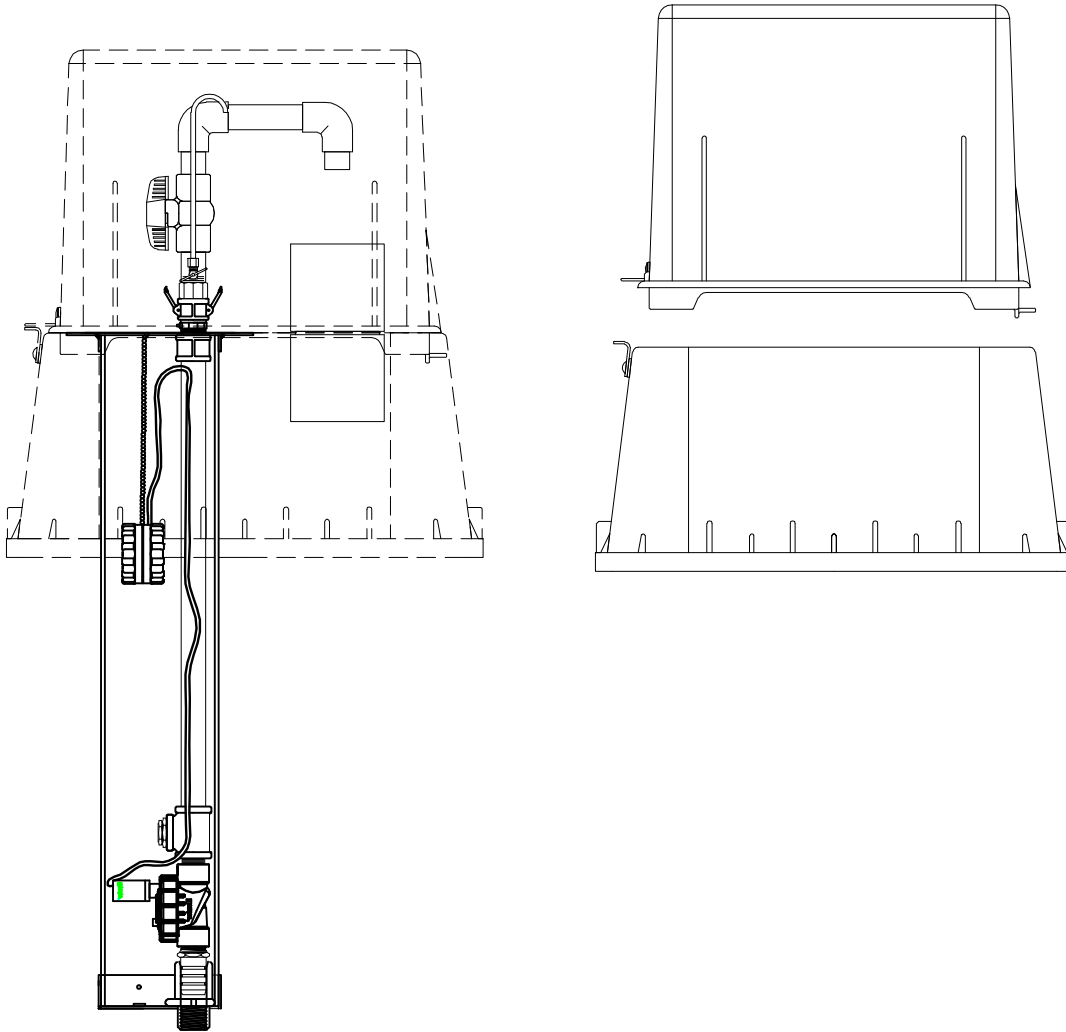


# #9800-A AUTOMATIC FLUSHING DEVICE





AUTOMATIC FLUSHING DEVICE SHALL HAVE A 1" BRASS FIP INLET, LEADING VERTICALLY INTO A 1" AUTOMATIC SOLENOID VALVE. AUTOMATIC SOLENOID VALVE SHALL HAVE AN INTERNAL, SELF-CLEANING DEBRIS SCREEN, AND HAVE A 150 PSI RATING. EACH UNIT SHALL BE FURNISHED WITH A STAND-ALONE VALVE CONTROLLER. VALVE CONTROLLER WILL NOT REQUIRE A SECOND HAND-HHELD DEVICE FOR PROGRAMMING. CONTROLLER MUST HAVE MINIMUM OF 912 POSSIBLE FLUSHING CYCLES PER DAY. SHALL BE SUBMERSIBLE TO 12 FEET, OPERATE WITH 9 VOLT BATTERY (COMPARTMENT HOLDS TWO BATTERIES) AND HAVE RESIN-SEALED ELECTRICAL COMPONENTS. SOLENOID SHALL HAVE NO LOOSE PARTS WHEN REMOVED FROM VALVE. EACH UNIT SHALL HAVE A SINGLE-VALVE, ALL BRASS, SAMPLING POINT. REMOVAL OF 1" SOLENOID VALVE SHALL BE POSSIBLE VIA AN O-RING CONNECTOR LOCATED UNDER THE VALVE. AFTER REMOVAL OF STAINLESS STEEL ACCESS PLATE. VALVE ASSEMBLY SHALL BE HOUSED IN A PVC ENCLOSURE AND EACH UNIT SHALL BE SELF-DRAINING, NON-FREEZING, ALL ABOVE-GROUND COMPONENTS SHALL BE CONTAINED WITHIN A UV-RESISTANT LOCKING COVER, AS MANUFACTURED BY KUPFERLE FOUNDRY COMPANY.

MODEL #9800-A ST. LOUIS, MO. 1-800-231-3990, OR APPROVED EQUAL

**Note: Flush water lines free of debris before installation**

DRAWN	F.M.
APPROVED	
DATE	10-30-12
MAT'L	

**KUPFERLE FOUNDRY COMPANY**

2511 NORTH 9TH STREET, ST. LOUIS, MO 63102  
 314-231-8738 800-231-3990 FAX 314-231-2820  
<http://www.hydrants.com>

NO	DATE	REVISION

THIS DRAWING IS THE PROPERTY OF THE KUPFERLE FOUNDRY COMPANY. IT IS NOT TO BE USED OR DUPLICATED WITHOUT PERMISSION OF THE OWNER.

PART NO. 9800-A AUTO FLUSHER, 1 INCH