

Eclipse 9800WC

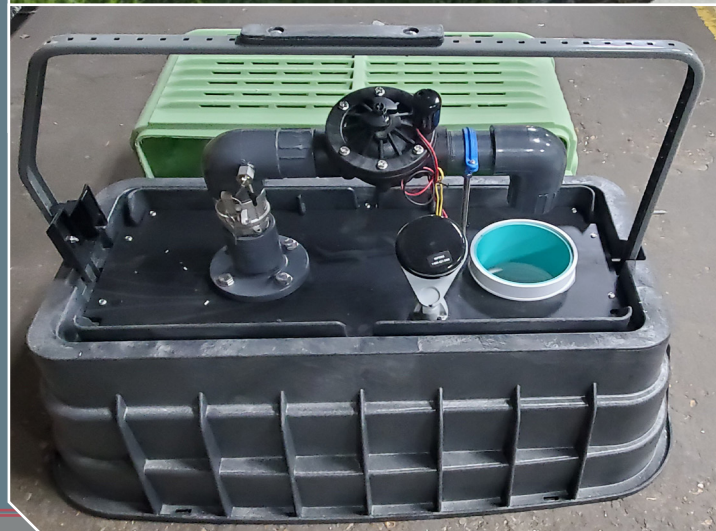
Permanent Warm Climate Automatic Flushing Station

Why Automatic Flushing?

- Keep your dead end water fresh and safe for consumption
- Save time and labor by eliminating the need for manual flushing
- Save water by flushing at lower volumes than hydrants
- Flush overnight when demand is low

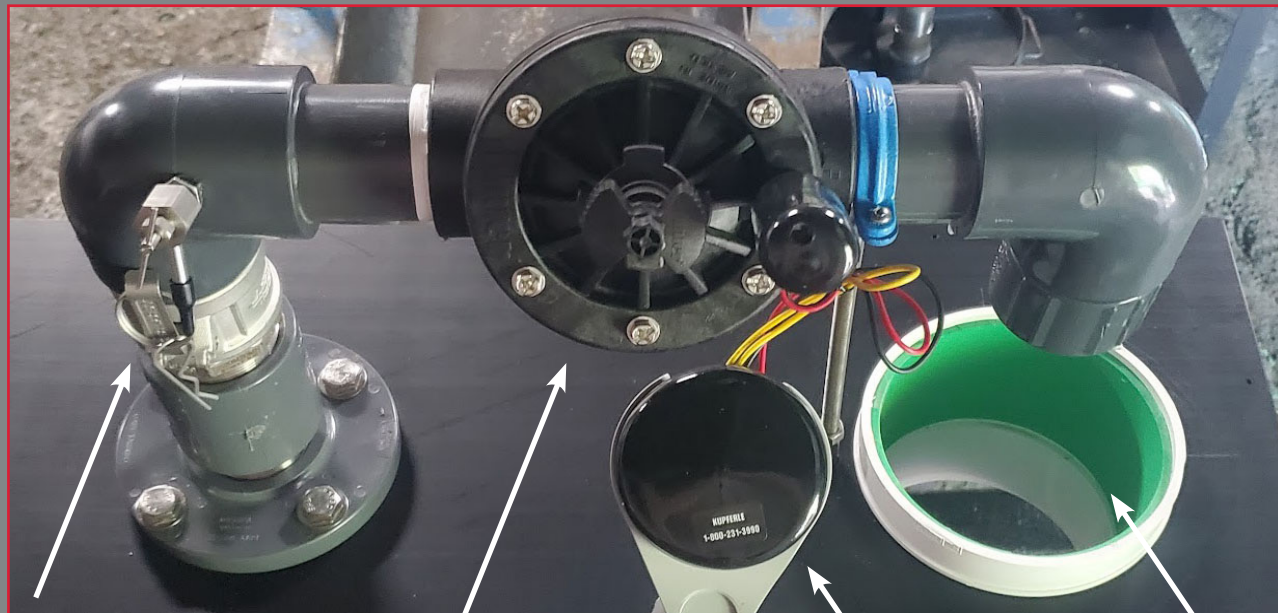
Product Details:

- Permanent 2" Automatic Flushing Station (1" also available)
- Housed in UV-resistant enclosure
- Discharges below-grade -- out of sight!
- Adjustable flow rates from roughly 40-200 GPM (site/pressure dependent)
- Digital controller (standard) or bluetooth controller (optional)
- Program up to 12 flush cycles per day and up to 6 hours per flush
- Fully serviceable from above ground



Kupferle Water Solutions
hydrants.com





Stainless Steel Sampling Bibb

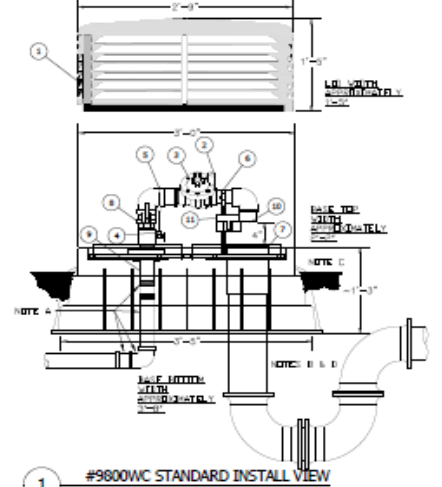
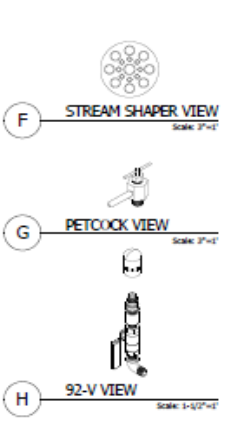
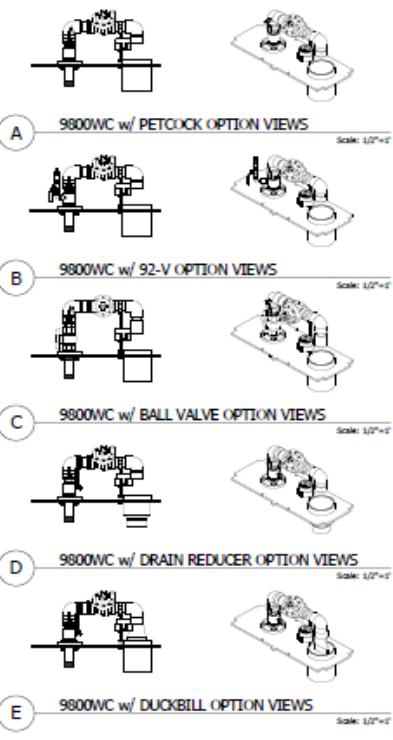
2" Solenoid Operated Valve

Bluetooth or digital Controller

Air Gap for Back-flow prevention

#9800WC AUTOMATIC FLUSHING STATION SPEC SHEET

GENERAL HYDRANT SPECIFICATIONS	
HYDRANT OPERATOR	COILING
HYDRANT MATERIAL	304 STAINLESS STEEL, 304L W.P.C.
INCLUDED MATERIAL	AS SHOWN IN LIST
EXCLUDED MATERIAL	SEE PARTS LIST
DEPTH OF BUIB	12"
WEIGHT	15.0 LB.



MODEL	SIZE	VALVE	DEPTH	OPERATOR	OPTION	DESCRIPTION
9800WC	2"	92-V	12"	COILING	OPTIONAL	STAINLESS STEEL HYDRANT
9800WC	2"	92-V	12"	COILING	OPTIONAL	STAINLESS STEEL HYDRANT
9800WC	2"	92-V	12"	COILING	OPTIONAL	STAINLESS STEEL HYDRANT

ITEM	DESCRIPTION	NOTES
1	2" AUTOMATIC FLUSHING VALVE	
2	2" BALL VALVE	
3	2" DRAIN REDUCER	
4	2" DUCKBILL	
5	2" PETCOCK	
6	2" STREAM SHAPER	
7	2" BALL VALVE	
8	2" DRAIN REDUCER	
9	2" DUCKBILL	
10	2" PETCOCK	
11	2" STREAM SHAPER	
12	2" BALL VALVE	

Automatic Flushing Station (AFS) shall be installed in the following location(s):

Automatic flushing station shall have a 2" stainless steel MIP inlet that will lead vertically through a pair of stainless steel quick disconnects to the 2" automatic flushing valve. The flushing valve shall control the flow of the water through the hydrant and its diaphragm with the extension and retraction of a DC latching solenoid. The valve shall have a 220 PSI rating. All flushed water shall be directed via a stream shaper to reduce the residual water spray in the enclosure.

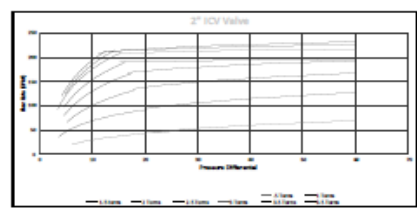
Each unit shall be furnished with a stand alone valve controller. The valve controller will not require a second hand-held device for programming. Controller must have a minimum of 12 possible flushing cycles per day. Controller shall be submersible up to 12 feet, operate with two 9 volt batteries, and have resin sealed electrical components. The solenoid shall have no loose parts when removed from the valve.

The removal of the 2" valve shall be possible via a pair of above-ground stainless steel quick disconnects to allow for easy removal of all the operating parts of the hydrant. The flushing valve shall be installed at 45° to allow the removal of the solenoid and cap for routine maintenance purposes.

Each unit shall have a dedicated sampling point on the hydrant located before the 2" flushing valve.

Unit shall allow for the installation of dechlorination options.

Valve assembly shall be housed in a UV resistant lockable enclosure with a removable cover.



Unit model # shall be 9800WC as specified in the product ordering guide as manufactured by Kupferle Foundry Company, St. Louis MO, or approved equal.

NOTES	
1	PIPING BY OTHERS
2	KUPFERLE RECOMMENDS THE INSTALLATION OF A PEE TRAP ON THE DRAIN PART OF THE HYDRANT.
3	PROTECT THE BUIB FROM
4	INSTALL VALVE TO THE RIGHT OF THE BUIB

PATENTED

2511 NORTH 9TH STREET
ST. LOUIS, MO 63102
1-800-231-3990
FAX 314-231-2920
www.hydrants.com