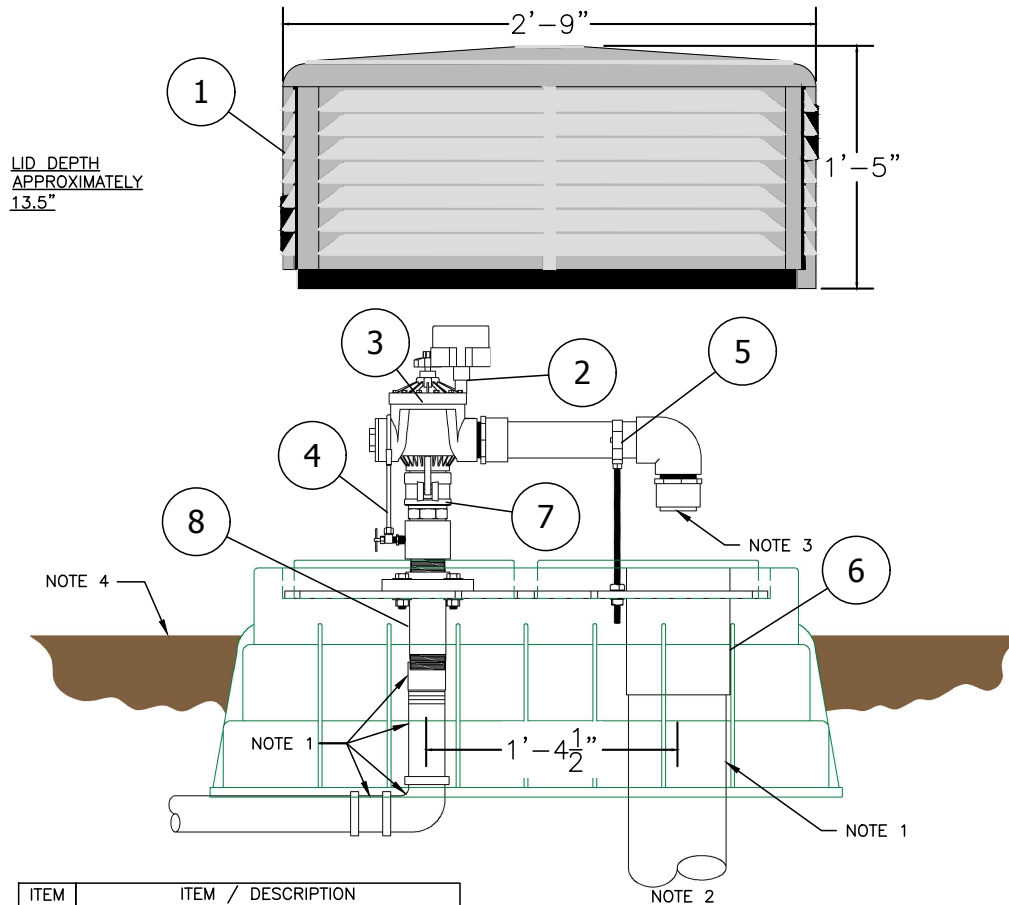


#9800WC AUTOMATIC FLUSHING DEVICE



| ITEM | ITEM / DESCRIPTION |
|------|---------------------------|
| 1 | UV RESISTANT LOCKABLE LID |
| 2 | DC LATCHING SOLENOID |
| 3 | 2" PGV VALVE |
| 4 | SAMPLING VALVE AND LINE |
| 5 | 2" PIPE CLAMP |
| 6 | 6" SEWER PIPE CONNECTION |
| 7 | 2" S.S. QUICK DISCONNECT |
| 8 | 6" OF 2" S.S. PIPE |

NOTES:

- 1.) PIPING BY OTHERS
- 2.) KUPFERLE RECOMMENDS THE INSTALLATION OF A PEE TRAP ON THE DRAIN PART OF THE HYDRANT
- 3.) SEE DIFFUSER VIEW FOR ADDITIONAL DETAIL
- 4.) GROUND LINE MAY VARY

A 2" stainless steel M.I.P. inlet shall lead vertically to the bottom of a 2" automatic flushing valve. The flushing valve shall control the flow of water through the hydrant and its diaphragm with the extension and retraction of a DC latching solenoid and have a 150 PSI rating. Each unit shall be furnished with a stand-alone valve controller. The valve controller will not require a second hand-held device for programming. Controller must have minimum of 12 possible flushing cycles per day. Controller shall be submersible to 12 feet, and operate with a 9 volt battery, and have resin-sealed electrical components. The solenoid shall have no loose parts when removed from the valve.

Removal of the 2" valve shall be possible via a pair of above-ground stainless steel quick disconnects to allow for easy maintenance/replacement of all operating part of the hydrant.

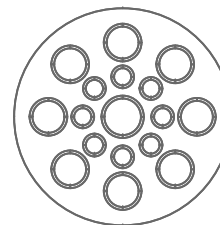
Each unit shall have an all stainless steel or brass sampling point located on the hydrant before the 2" flushing valve.

Unit shall have the option of adding a siphone style dechlorination tablet feeder inline with the drain pipe.

Valve assembly shall be housed in a UV-Resistant lockable enclosure with a removable cover.

Unit model # shall be 9800WC as manufactured by Kupferle Foundry Company, St. Louis MO, or approved equal.

#9800WC AUTOMATIC FLUSHING DEVICE TO BE INSTALLED AT THE FOLLOWING LOCATIONS:

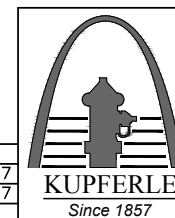


1 DISCHARGE NOZZLE

Scale: 6"=1'-0"

| | |
|----------|----------------------|
| | |
| | |
| DD/MM/YY | ISSUED FOR REFERENCE |
| DATE | STATUS / REVISION |

| | | | | | |
|-------------------|----------------|----------|-----|------|----------|
| SHEET 1 OF 1 | SCALE: 1/2"=1' | DRAWN | SMS | DATE | 04/26/17 |
| 9800WC SPEC SHEET | | APPROVED | DCL | | 04/26/17 |
| | | MODIFIED | | | |



2511 NORTH 9TH STREET
ST. LOUIS, MO 63102
1-800-231-3990
FAX 314-231-2820
www.hydrants.com