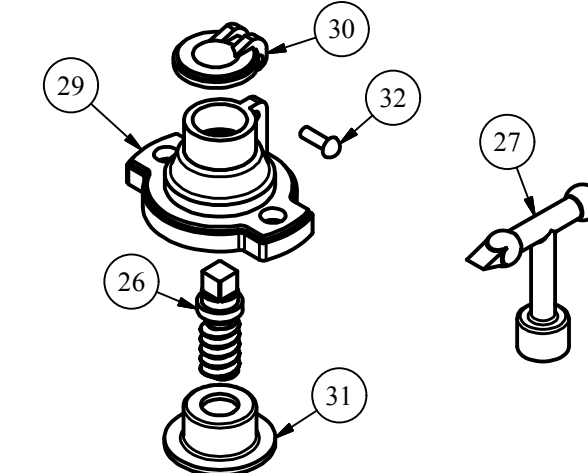


#1 (1") CUT SHEET

OPTIONAL IRON CAP & IRON KEY



PARTS LIST

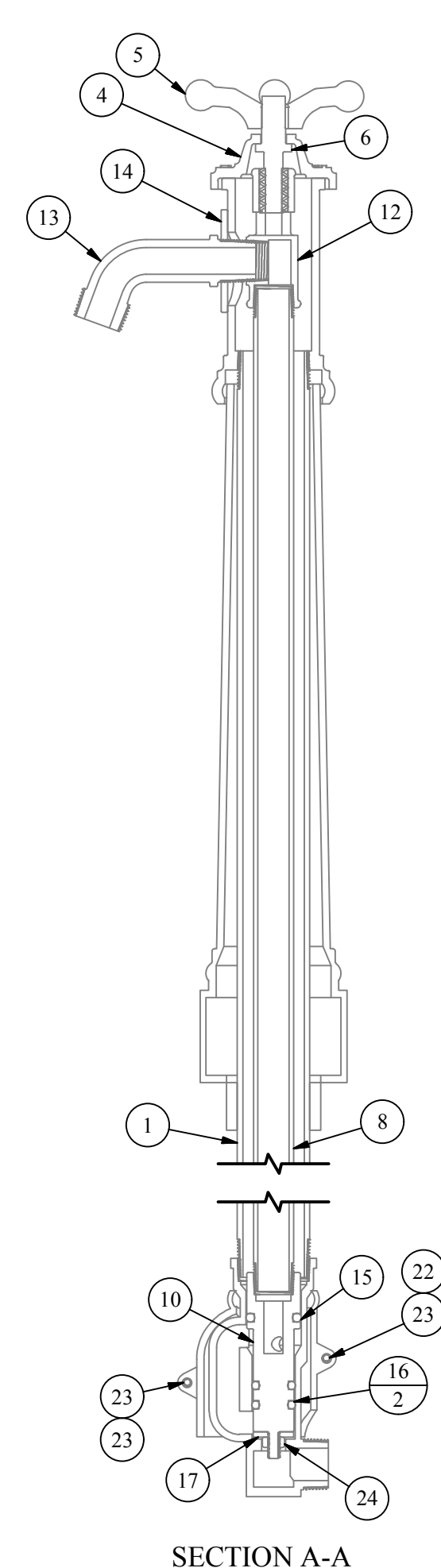
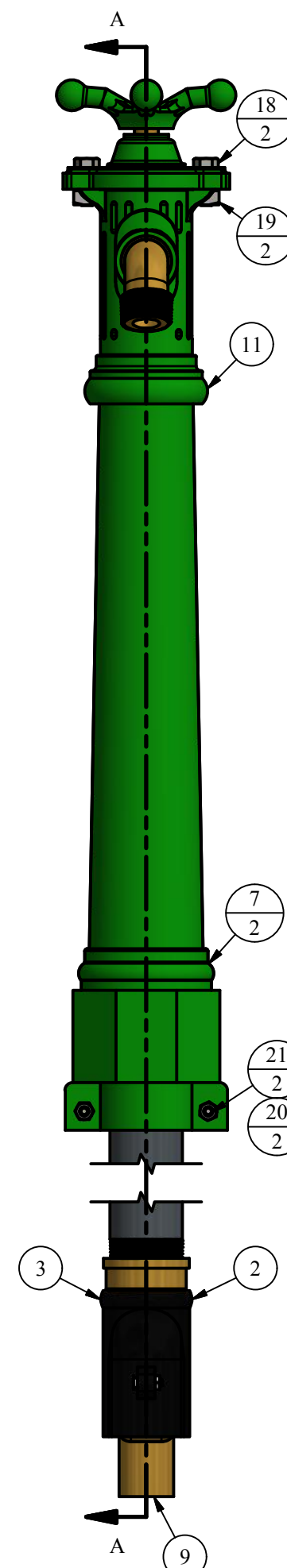
ITEM	QTY	PART NUMBER	DESCRIPTION	NOTES
1	4.15	1 1/2P	1 1/2" STEEL PIPE	B,C
2	1	116LH	LEFT HAND SAND CASE	
3	1	116RH	RIGHT HAND SAND CASE	
4	1	125	TOP CAP	C
5	1	134	IRON HANDLE	C
6	1	138	OPERATING SCREW (1")	C
7	2	183	CASING GUARD	C
8	4.3	3/4GAL	3/4" GALAVANIZED PIPE	B,C
9	1	301	VALVE	C
10	1	308-NS	"NEW STYLE" 1" PLUNGER	
11	1	316	1" IRON NECK	C
12	1	319	1" BRASS NOZZLE COUPLING	C
13	1	321	1" BRASS NOZZLE	C
14	1	323	1" SLIDE	C
15	1	327C	1" PLUNGER O-RING (BARREL)	
16	2	327D	1" PLUNGER O-RING (DRAIN)	
17	1	329	1" SEAT WASHER	
18	2	344-B	TOP CAP BOLT	C
19	2	344-N	TOP CAP NUT	C
20	2	345-N	HYDRANT CASE NUT	C
21	2	345-S	HYDRANT CASE SCREW	C
22	2	346-N	SAND CASE NUT	
23	2	346-S	SAND CASE SCREW	
24	1	88-5	PLUNGER NUT	

OPTIONS / REPAIR PARTS LIST

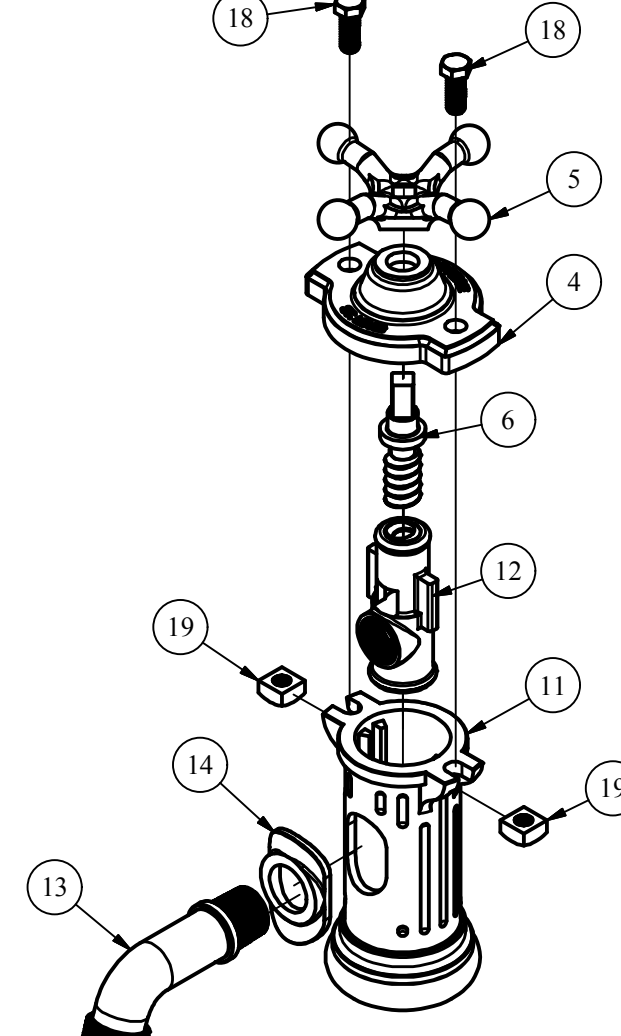
25	0	1 X 3/4BA	1" x 3/4" BRASS ADAPTER	A,C
26	0	142	1" BRASS SCREW	C
27	0	159	IRON KEY	C
28	0	1CV	1" CHECK VALVE	A,C
29	0	351	TOP CAP (KEY OPERATED)	
30	0	351C	COVER (KEY OPERATED)	
31	0	354	1" IRON THIMBLE	
32	0	442	RIVET	

OLD STYLE PARTS LIST

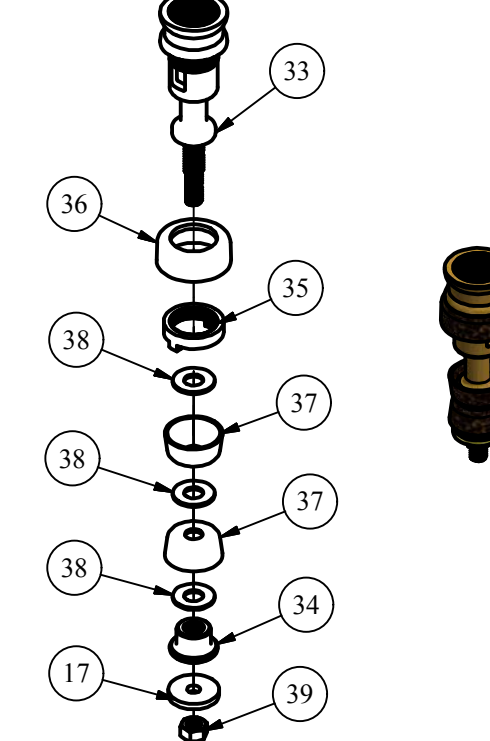
33		308	OLD STYLE PLUNGER	
34		309A	CONE WASHER	
35		310A	WING NUT	
36		326	LARGE LEATHER	
37		327A	SMALL LEATHER	
38		88-14	WASHER	
39		88-5	NUT	



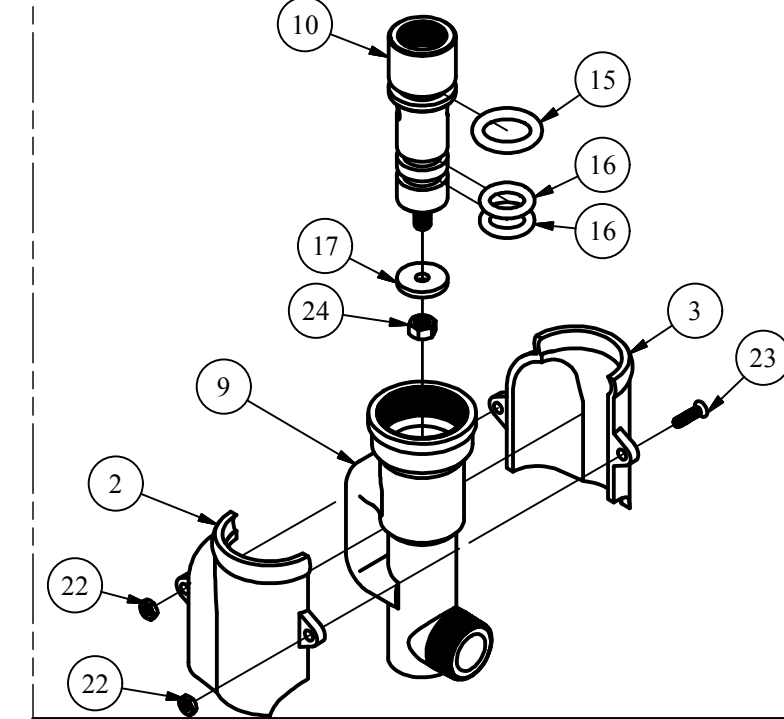
TOP STOCK ASSEMBLY



X306 ASSEMBLY



VALVE ASSEMBLY



REPAIR KITS

PART NUMBER	DESCRIPTION	PARTS INCLUDED
X116	1" SAND CASE PROTECTOR	116LH LEFT SAND CASE (1), 116RH RIGHT SAND CASE (1), 346-S SCREW (2), 346-N NUT (2)
X131	1" CAP, HANDLE, SCREW COMPLETE	134 HANDLE (1), 138 OPERATING SCREW (1), 125 TOP CAP (1), 344-N NUT (2), 344-B BOLT (2)
X306NS	NEW STYLE 1" PLUNGER COMPLETE	308-NS PLUNGER (1), 327C O-RING (1), 327D O-RING (2), 329 SEAT WASHER (1), 88-5 NUT (1)
XFIG.B-NS	VALVE WASHER SET FOR 1" #1	327C O-RING (1), 327D O-RING (2), 329 SEAT WASHER (1)

OPTION REPAIR KITS

X351	1" IRON CAP FOR 1" KEY OPERATED YARD HYDRANT COMPLETE	351 CAP (1), 351C COVER (1), 442 RIVET (1), 344-B BOLT (2), 344-N NUT (2)
------	---	---

OLD STYLE REPAIR KITS


X306	OLD STYLE 1" PLUNGER COMPLETE	308 PLUNGER (1), 309A CONE WASHER (1), 310A WING NUT (1), 326 LARGE LEATHER (1), 327A SMALL LEATHER (2), 88-14 WASHER (3), 329 SEAT WASHER (1), 88-5 NUT (1)
XFIG.B	VALVE WASHER SET FOR OLD STYLE 1" #1	326 LARGE LEATHER (1), 327A SMALL LEATHER (2), 329 SEAT WASHER (1)

NOTE	DESCRIPTION
A	NOT SHOWN
B	PIPE LENGTH DEPENDENT ON DEPTH OF BURY
C	SOLD AS REPLACEMENT PART
H	SEE ONLINE PARTS SHEET FOR #7 PARTS REPLACEMENT

DISCLAIMER:
THIS DRAWING IS THE PROPERTY OF THE KUPFERLE FOUNDRY COMPANY. IT IS NOT TO BE USED OR DUPLICATED WITHOUT THE PERMISSION OF THE OWNER.

LEGEND

(X)	STANDARD TAG
(X/Y)	TAG WITH Y QUANTITY

DRAWN	11/22/2017		
SMS			
CHECKED			
DCL	1/3/2018		
MODIFIED			
SIZE	C	SCALE	1 / 4
DWG NO	#1 (1") Cut_Rev0	SHEET	1 OF 1
		REV	0