

# #36 (1") CUT SHEET

## PARTS LIST

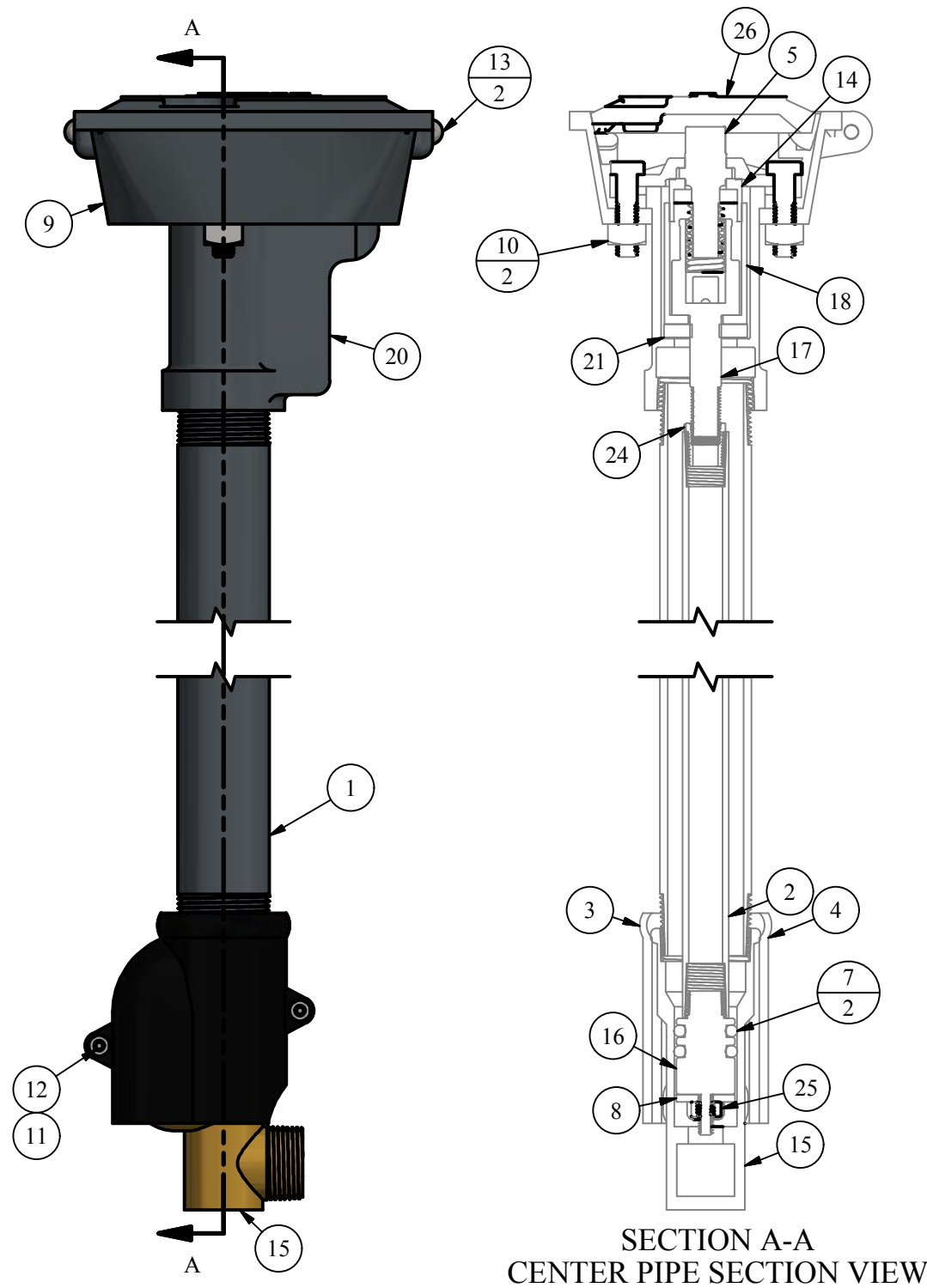
ITEM	QTY	PART NUMBER	DESCRIPTION	NOTES
1	2.25	1 1/4P	1-1/4" STEEL PIPE	B,C
2	2.36	1/2P	1/2" STEEL PIPE	B,C
3	1	116LH	LEFT HAND SAND CASE	
4	1	116RH	RIGHT HAND SAND CASE	
5	1	141	OPERATING SCREW	C
6	1	159	IRON KEY	C
7	2	327D	PLUNGER O-RING	
8	1	329	SEAT WASHER	
9	1	332-3	BOX WITH LOCK FOR #36	C
10	2	344-N	TOP CAP NUT	C
11	2	346-N	SAND CASE NUT	
12	2	346-S	SAND CASE SCREW	
13	2	347	BOX RIVET	C
14	1	353	IRON BUSHING	C
15	1	450	BRASS VALVE	C
16	1	452-NS	PLUNGER	
17	1	455	BRASS STEM	C
18	1	457	IRON SOCKET	C
19	1	462	IRON TOP CAP	C
20	1	464A	IRON YOKE	C
21	1	466	RUBBER TOP CAP WASHER	C
22	1	468	NOZZLE	C
23	2	469B	TOP CAP BOLT	
24	1	470	REDUCER	
25	1	88-5	PLUNGER TIP NUT	
26	1	FIG.W-2	IRON LID WITH LOCK	C

## OPTIONAL/REPAIR PARTS LIST

27	0	332-2	BRASS BOX WITH LOCK	A,C
28	0	332-4	IRON DEEP BOX	A
29	0	332-5	BRASS DEEP BOX WITH LOCK	A,C
30	0	468-MOD	3/4" REDUCING NOZZLE	A,C
31	0	FIG.W-1	BRASS LID WITH LOCK	A,C
32	0	KFKEY	KEY	A,C
33	0	KFLOCK	LOCK	A,C

## OLD STYLE PARTS LIST

ITEM	QTY	PART NUMBER	DESCRIPTION	NOTES
34		309A	CONE WASHER	
35		327A	CUP LEATHER	
36		452	PLUNGER	
37		88-5	PLUNGER TIP NUT	
38		9460	S.S. WASHER	

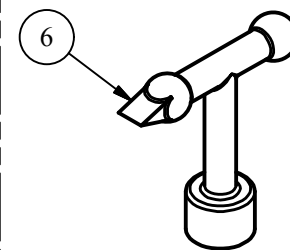


TOP VIEW  
NO LID

## REPAIR KITS

PART NUMBER	DESCRIPTION	PARTS INCLUDED
X116	SAND CASE PROTECTOR	116LH LEFT SAND CASE (1), 116RH RIGHT SAND CASE (1), 346-S SCREW (2), 346-N NUT (2)
X332	IRON BOX COMPLETE	332-3 IRON BOX (1), FIG.W LID (1), 347 RIVET (2)
X332-3	IRON BOX w/ LOCK COMPLETE	332-3 BOX (1), FIG. W-2 LID (1), KFKEY KEY (1), KFLOCK LOCK (1), 347 RIVETS (2)
X452-NS	"NEW STYLE" PLUNGER COMPLETE	452-NS PLUNGER (1), 327D O-RING (2), 329 SEAT WASHER (1), 88-5 NUT (1)
XFIG.E-NS	VALVE WASHER SET	327D O-RING (2), 329 SEAT WASHER (1)
OLD STYLE REPAIR KITS		
X452	"OLD STYLE" PLUNGER COMPLETE	452 PLUNGER (1), 309A CONE WASHER (1), 327A CUP LEATHER (2), 329 SEAT WASHER (1), 9460 WASHER (2), 88-5 NUT (1)
XFIG.E	"OLD STYLE" VALVE WASHER SET	327A CUP LEATHER (2), 329 SEAT WASHER (1)

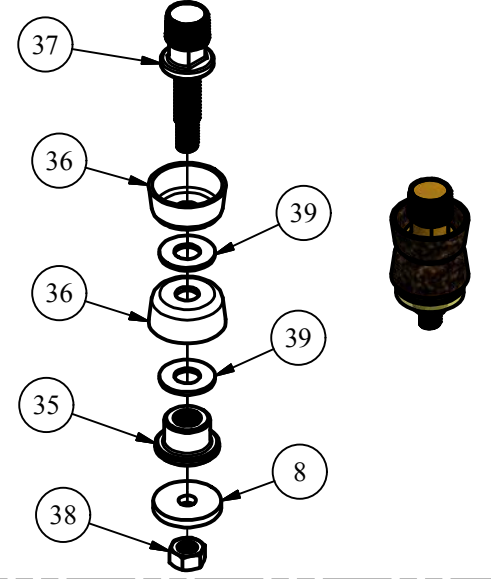
## IRON KEY



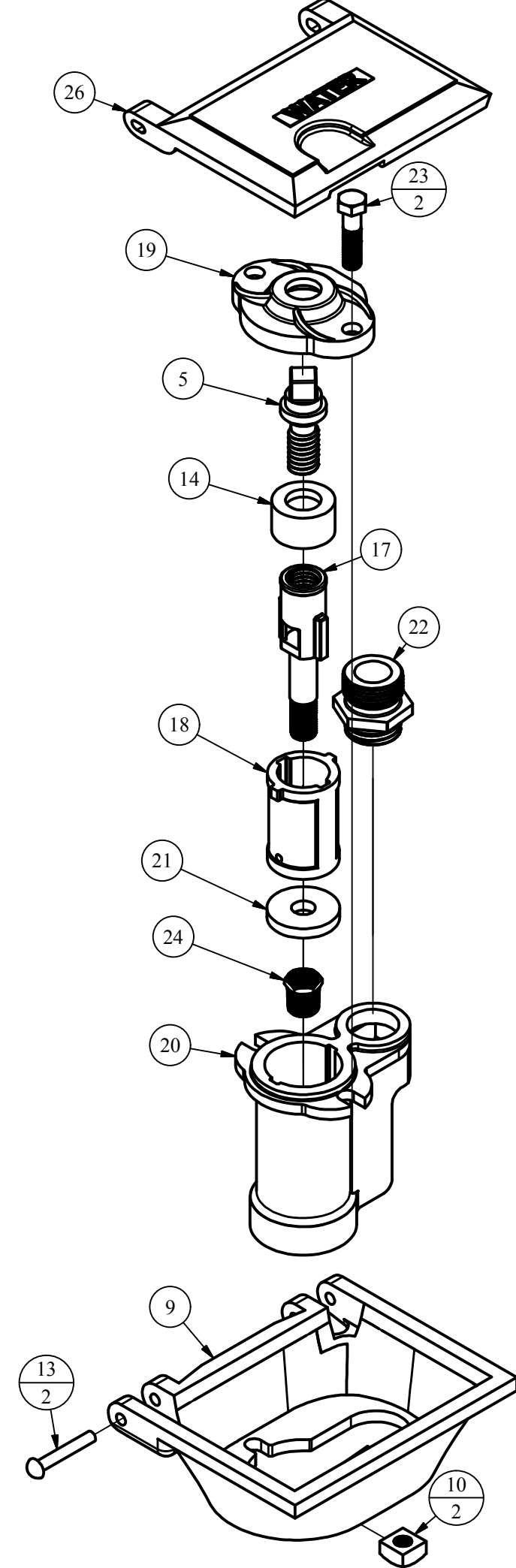
## LEGEND

- (X) → STANDARD TAG
- (X/Y) → TAG WITH Y QUANTITY

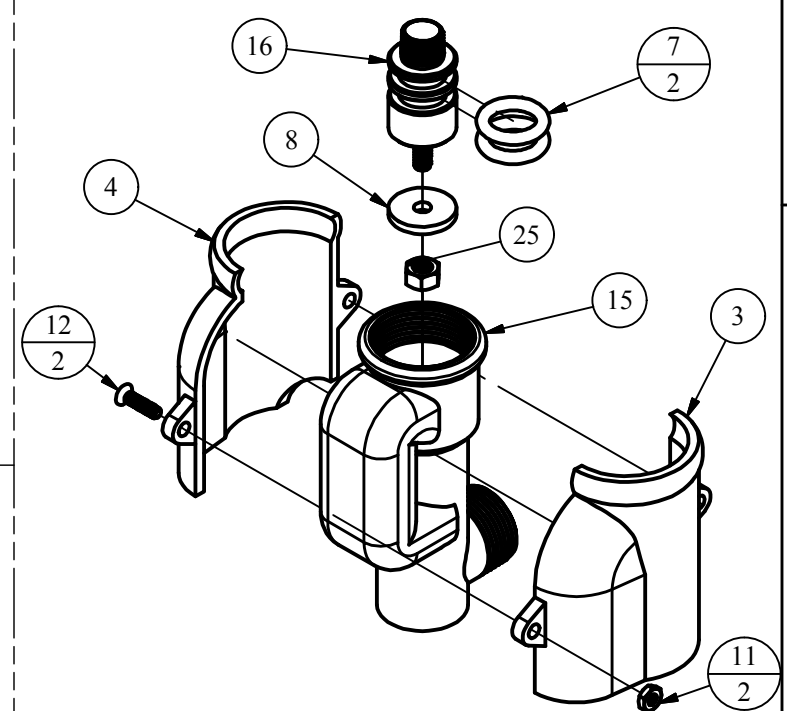
## X452 ASSEMBLY



## BOX ASSEMBLY



## PLUNGER ASSEMBLY



NOTE	DESCRIPTION
A	NOT SHOWN
B	PIPE LENGTH DEPENDENT ON DEPTH OF BURY
C	SOLD AS REPLACEMENT PART

**DISCLAIMER:**  
THIS DRAWING IS THE PROPERTY OF THE KUPFERLE  
FOUNDRY COMPANY. IT IS NOT TO BE USED OR  
DUPLICATED WITHOUT THE PERMISSION OF THE OWNER.

DRAWN	SMS	4/4/2018		
CHECKED	DCL	8/26/2018		
MODIFIED				
SIZE	C	SCALE	1 / 3	
DWG NO	#36 (1") Cut_Rev0		SHEET	1 OF 1
			REV	0