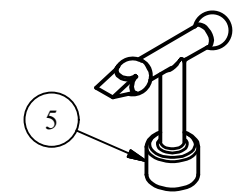
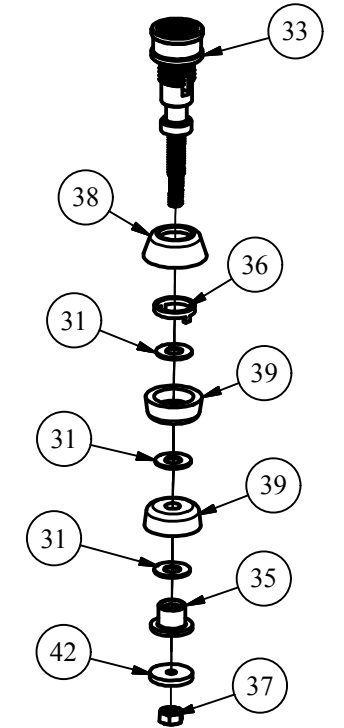


#36 (3/4") CUT SHEET

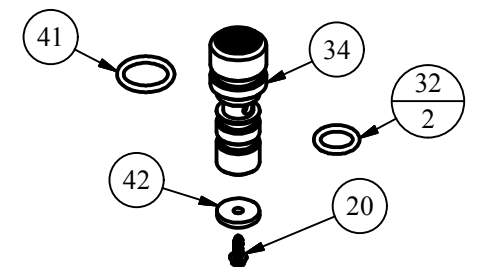
IRON KEY



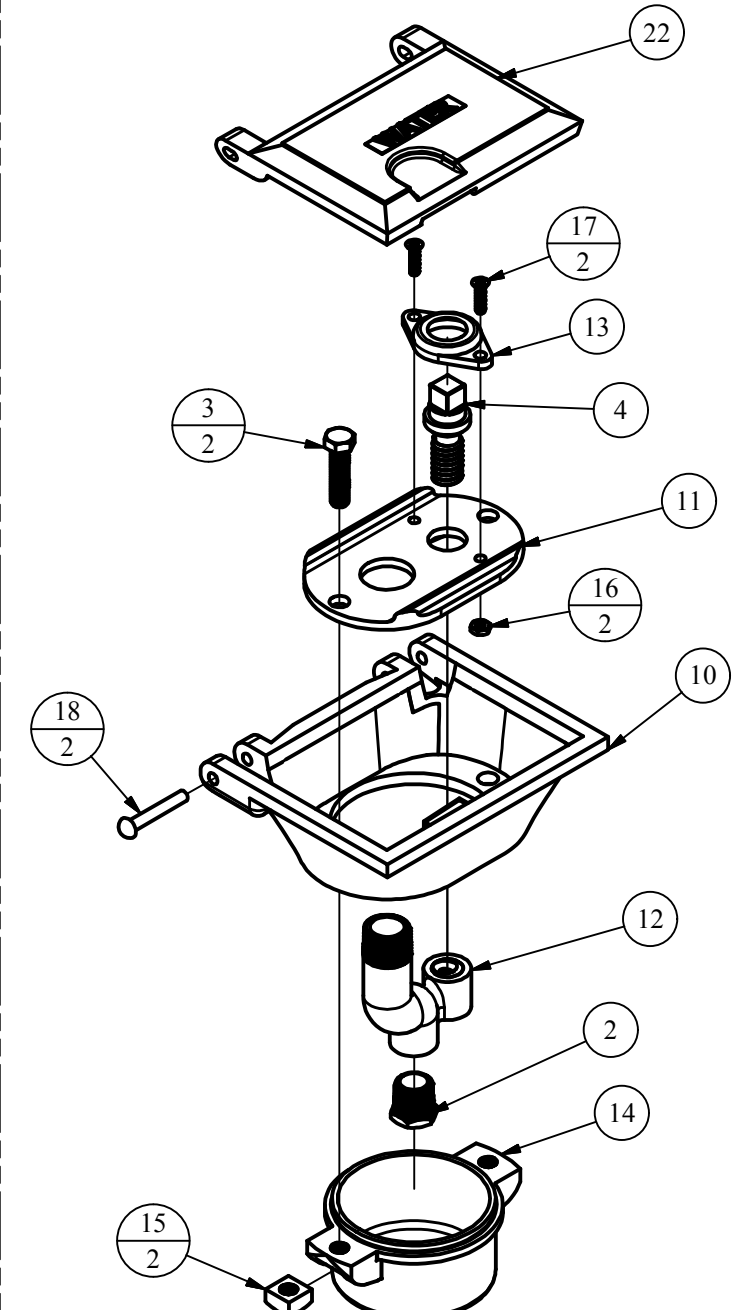
X305 ASSEMBLY



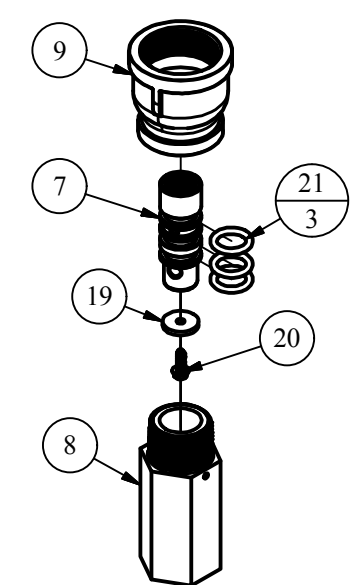
X305NS ASSEMBLY



TOP BOX ASSEMBLY



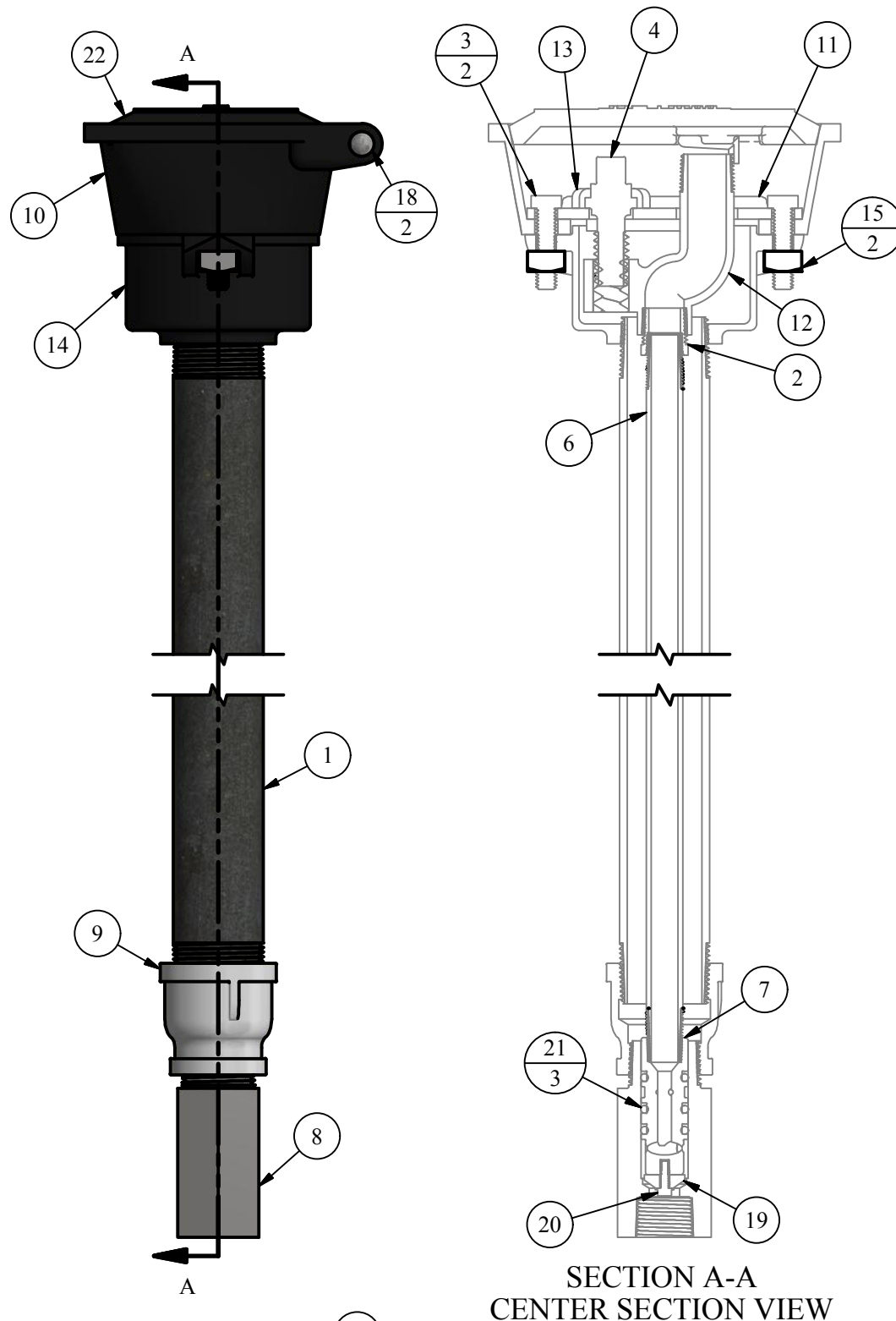
VALVE ASSEMBLY



PARTS LIST				
ITEM	QTY	PART NUMBER	DESCRIPTION	NOTES
1	2.36	1 1/4P	1-1/4" STEEL PIPE (EXTERIOR)	B,C
2	1	1/2 x 3/8HBSS	1/2" x 3/8" S.S. HEX BUSHING	C
3	2	10805	TOP ASSEMBLY BOLT	
4	1	141	3/4" OPERATING SCREW	C
5	1	159	IRON KEY	C
6	2.44	3/8SSP	3/8" S.S. PIPE (OPERATING ROD)	B,C,I
7	1	305	S.S. PLUNGER	
8	1	306	"S.S. 300 STYLE" 3/4" VALVE	C,I
9	1	317	1-1/4" x 1" S.S. BELL REDUCER	
10	1	330A	IRON BOX w/ LOCK	C
11	1	335	STREET WASHER VALVE PLATE	
12	1	338	NOZZLE	C
13	1	340	OPERATING SCREW CAP	
14	1	342	3/4" IRON NECK	C
15	2	344-N	TOP ASSEMBLY NUT	
16	2	346-N	CAP NUT	
17	2	346-S	CAP SCREW	
18	2	347	STREET WASHER BOX RIVET	C
19	1	418-B	BEVELED BIBB WASHER	C
20	1	66S28	PLUNGER SCREW	C
21	3	88-21	PLUNGER O-RING	C
22	1	FIG.W-2	IRON LID w/ LOCK	C

OPTIONAL/REPAIR PARTS LIST				
23	0	330-2	BRASS BOX w/ LOCK FOR 3/4"	A,B,C
24	0	330-3	BRASS DEEP BOX w/LOCK FOR 3/4"	A,B,C
25	0	330B-1	IRON DEEP BOX w/ LOCK	A,B,C
26	0	FIG.W-1	BRASS LID w/ LOCK FOR 3/4"	A,B,C
27	0	KFKEY	KEY	A,B,C
28	0	KFLOCK	LOCK	A,B,C

OLD STYLE PARTS LIST				
29		1/2P	1/2" STEEL PIPE	A,B,C
30		10220	PLUNGER O-RING	A
31		10508	S.S. WASHER	
32		2OR	PLUNGER O-RING	
33		307	"OLD STYLE" PLUNGER	
34		307-NS	"NEW STYLE" PLUNGER	
35		309	CONE WASHER	
36		310	WING NUT	
37		311	PLUNGER TIP NUT	
38		325	LARGE CUP LEATHER	
39		327	SMALL CUP LEATHER	
40		327B	PLUNGER O-RING	
41		327E	TOP PLUNGER O-RING	
42		328	SEAT WASHER	



SECTION A-A
CENTER SECTION VIEW

TOP VIEW
NO LID

REPAIR KITS

PART NUMBER	DESCRIPTION	PARTS INCLUDED	NOTES
X330	IRON BOX FOR 3/4" #36 COMPLETE	330A BOX (1), FIG.W LID (1), 347 RIVET (2)	
X334	PLATE WITH SCREW FOR 3/4" #36 COMPLETE	335 PLATE (1), 10805 BOLT (2), 334-N NUT (2), 340 CAP (1), 346-S SCREW (2), 346-N NUT (2), 141 SCREW (1), 338 NOZZLE (1)	
X335	PLATE FOR 3/4" #36 COMPLETE	335 PLATE (1), 10805 BOLT (2), 334-N NUT (2)	
X340	IRON CAP FOR 3/4" #36 COMPLETE	340 CAP (1), 346-S SCREW (2), 346-N NUT (2)	
X305-2018	3/4" PLUNGER COMPLETE	305 PLUNGER (1), 88-21 O-RING (3), 418-B WASHER (1), 66S28 SCREW (1)	2018-PRESENT
XFIG.A-2018	VALVE WASHER SET FOR 3/4"	88-21 O-RING (3), 418-B SEAT WASHER (1), 66S28 SCREW (1)	2018-PRESENT

OPTIONAL PARTS REPAIR KITS

X330-1	IRON BOX w/ LOCK FOR 3/4" #36 COMPLETE	330A BOX (1), FIG.W-2 LID (1), KFKEY KEY (1), KFLOCK LOCK (1), 347 RIVET (2)	
--------	--	--	--

OLD STYLE REPAIR KITS

X305NS	3/4" PLUNGER COMPLETE (O-RINGS)	307-NS PLUNGER (1), 327E O-RING (1), 2OR O-RING (2), 328 SEAT WASHER (1), 66S28 SCREW (1)	2002-2017
XFIG.A-2012	VALVE WASHER SET FOR 3/4"	327E O-RING (1), 2OR O-RING (2), 328 SEAT WASHER (1)	2012-2017
XFIG.A-NS	VALVE WASHER SET FOR 3/4"	327B O-RING (2), 10220 O-RING (2), 328 SEAT WASHER (1)	2002-2012
X305	"OLD STYLE" 3/4" PLUNGER COMPLETE (LEATHERS)	307 PLUNGER (1), 309 CONE WASHER (1), 310 WING NUT (1), 325 LARGE CUP LEATHER (1), 327 SMALL CUP LEATHER (2), 328 SEAT WASHER (1), 10506 WASHER (3), 311 NUT (1)	
XFIG.A	VALVE WASHER SET "OLD STYLE" 3/4" #36	325 LARGE CUP LEATHER (1), 327 SMALL CUP LEATHER (2), 328 SEAT WASHER (1)	

NOTE	DESCRIPTION
A	NOT SHOWN
B	PIPE LENGTH DEPENDENT ON DEPTH OF BURY
C	SOLD AS REPLACEMENT PART
I	RETROFITTING TO S.S. VALVE AND PLUNGER REQUIRES OPERATING ROD MEASUREMENTS AND REPLACEMENT

DISCLAIMER
THIS DRAWING IS THE PROPERTY OF THE KUPFERLE FOUNDRY COMPANY. IT IS NOT TO BE USED OR DUPLICATED WITHOUT THE PERMISSION OF THE OWNER.

LEGEND	
(X)	STANDARD TAG
(X/Y)	TAG WITH Y QUANTITY

DRAWN	SMS	3/20/2018		
CHECKED	DCL	7/19/2018		
MODIFIED				
SIZE	C	SCALE		1/3
DWG NO	#36 (3/4") Cut_Rev0		SHEET	1 OF 1
			REV	0