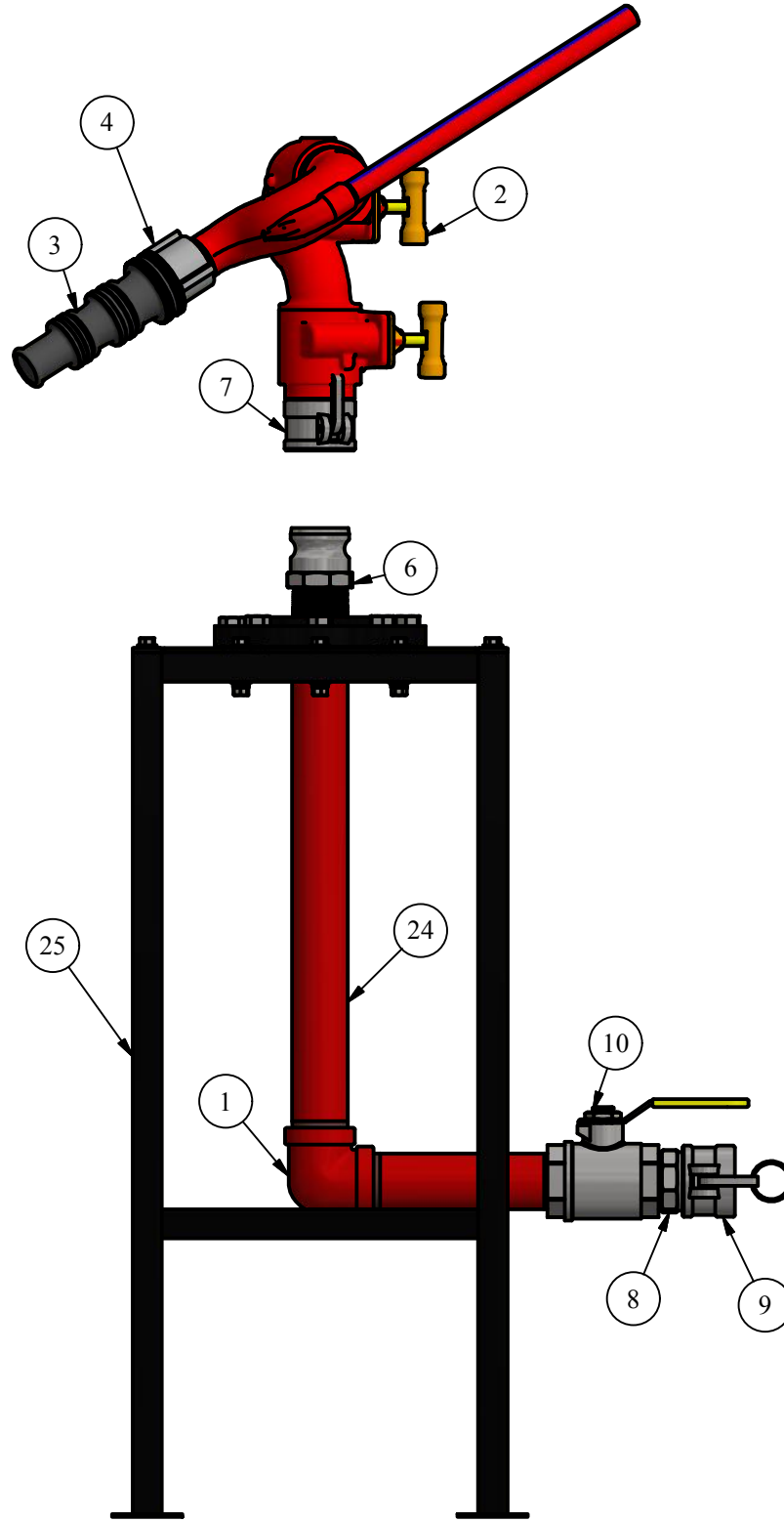


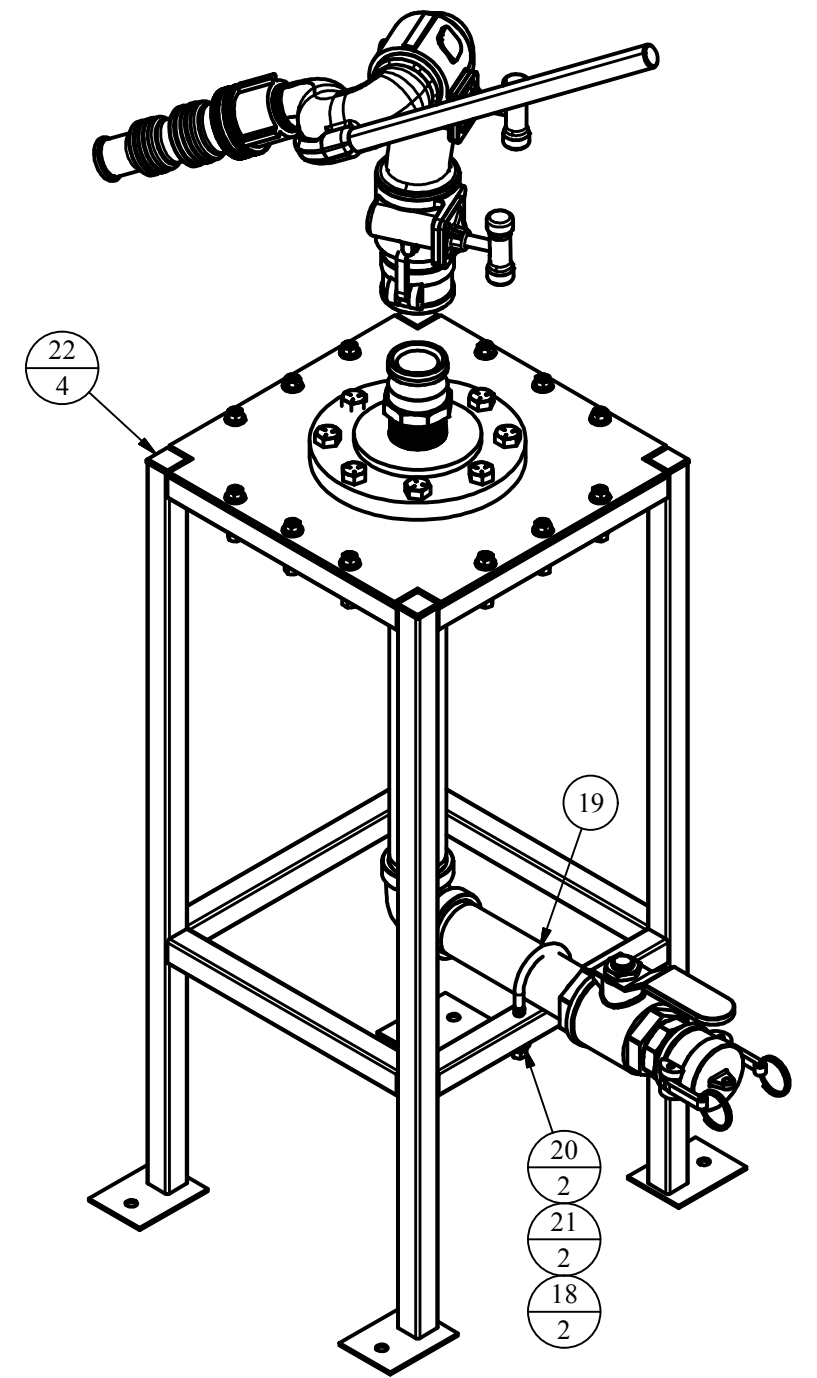
#44MS-2 MOUNTABLE MONITOR & MONITOR STAND CUT SHEET

PARTS LIST

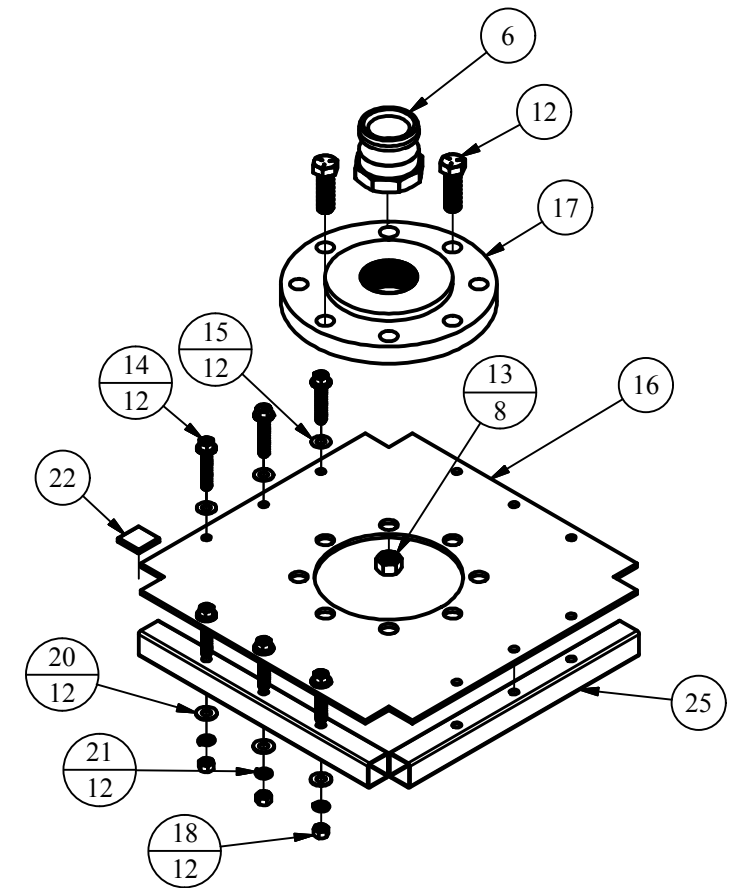
ITEM	QTY	PART NUMBER	DESCRIPTION	NOTES
1	1	290EL	2" 90° BLACK IRON ELBOW	
2	1	77M-SIDEWINDER	2" SIDEWINDER MONITOR	
3	1	77M-NOZZLE	MONITOR NOZZLE	U
4	1	77M-SSHAPER	2" STREAM SHAPER	U
6	1	2QD-ASS	2" SS "A" QUICK DISCONNECT	U
7	1	2QD-BSS	2" SS "B" QUICK DISCONNECT	U
8	1	2QD-FSS	2" SS "F" QUICK DISCONNECT	U
9	1	2QDC-SS	2" QUICK DISCONNECT CAP	U
10	1	2SSBV	2" BALL VALVE	
12	8	7625	FLANGE BOLT	
13	8	7626	FLANGE NUT	
14	12	7627	PLATE BOLT	
15	12	7630	BOLT GASKET	
16	1	7631	TOP PLATE	
17	1	7632	2" STEEL FLANGE	
18	14	77Q	PLATE NUT	
19	1	82-UB	2" U-BOLT	
20	14	9460	SS FLAT WASHER	
21	14	9461	SS SPLIT LOCK WASHER	
22	4	G98218	END CAP FOR 1-1/4" TUBING	



2" ASSEMBLED MONITOR ISOMETRIC VIEW



INDIVIDUALIZED MOUNTING HARDWARE ISOMETRIC VIEW



NOTE	DESCRIPTION
U	MOUNTABLE MONITOR AND ADDITIONAL QUICK DISCONNECTS SOLD SEPERATELY

DISCLAIMER
THIS DRAWING IS THE PROPERTY OF THE KUPFERLE
FOUNDRY COMPANY. IT IS NOT TO BE USED OR
DUPLICATED WITHOUT THE PERMISSION OF THE OWNER.

LEGEND

- (X) → STANDARD TAG
- (X/Y) → TAG WITH Y QUANTITY

DRAWN	SMS	3/30/2017
CHECKED	DCL	4/5/2017
MODIFIED		

SIZE	SCALE
C	1 / 8

DWG NO	#44MS-2 Cut_Rev0
--------	------------------



2511 NORTH 9TH ST.
ST. LOUIS, MO 63102
1-800-231-3990

SHEET	REV
1 OF 1	0