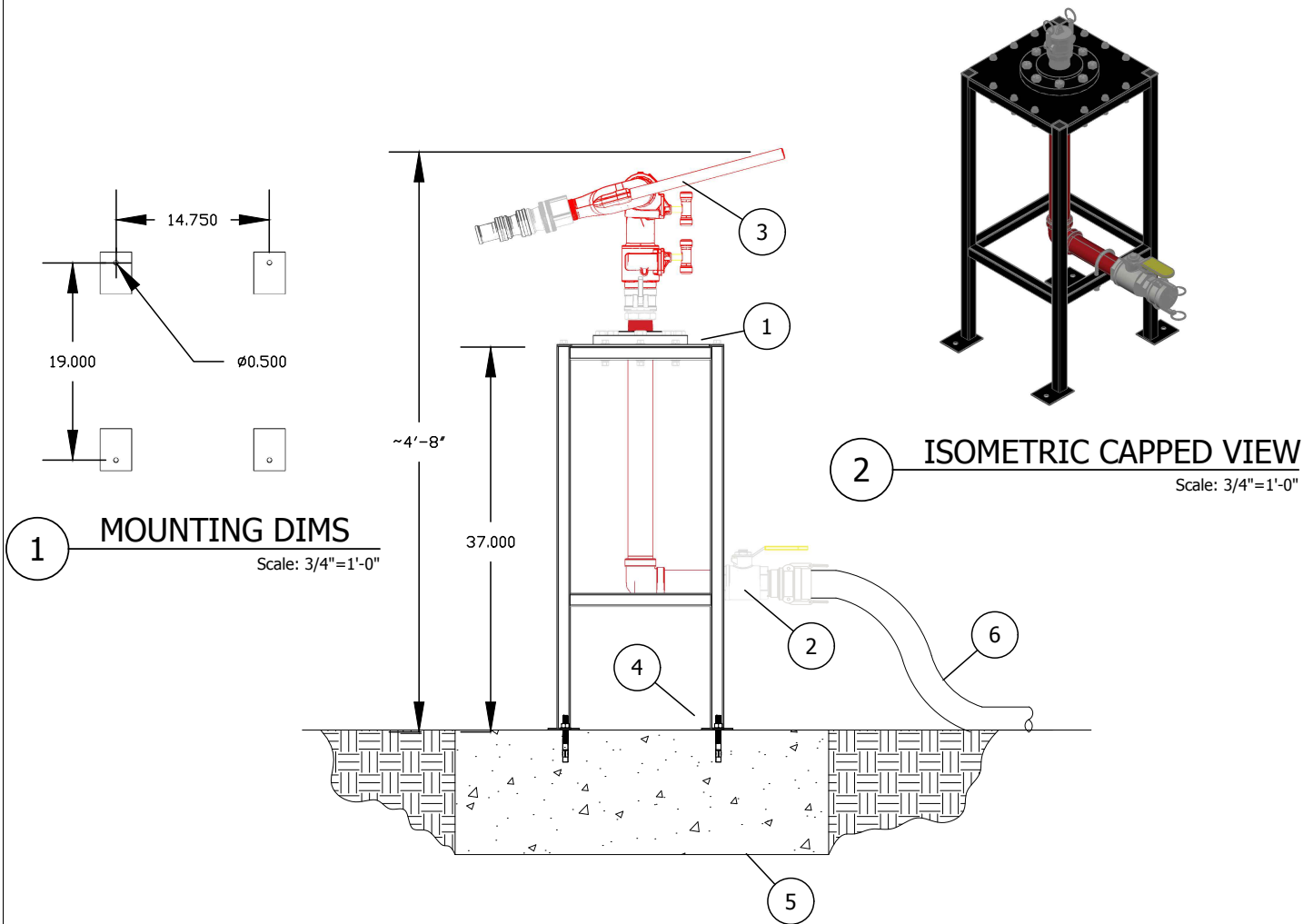


#44MS-2 MOUNTABLE MONITOR STAND SPEC SHEET



MOUNTABLE MONITOR STAND SHALL BE INSTALLED ON A CONCRETE PAD THAT IS AT LEAST ' x ' AND " THICK. STAND SHALL BE ANCHORED TO THE CONCRETE VIA CONCRETE ANCHORS OR LAGS. ANCHORS OR LAGS SHALL BE INSTALLED ACCORDING TO MANUFACTURERS INSTRUCTIONS.

A 2" SIDEWINDER MONITOR MAY BE ATTACHED TO THE TOP OF THE STAND VIA A PAIR OF STAINLESS STEEL QUICK DISCONNECTS. A SUPPLY LINE SHALL BE CONNECTED TO THE STAND VIA ANOTHER PAIR OF STAINLESS STEEL QUICK DISCONNECTS ON THE INLET. A BALL VALVE, LOCATED IMMEDIATELY AFTER THE INLET DISCONNECT SHALL ALLOW FOR FLOW CONTROL AT THE WASH DOWN LOCATION.

WATER MUST BE TURNED OFF AT THE SOURCE AND THE BALL VALVE PLACED IN THE OPEN POSITION BEFORE ANY QUICK DISCONNECTS ARE OPENED.

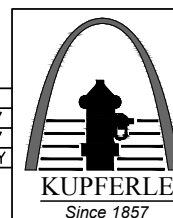
THE 2" MOUNTABLE MONITOR STAND AS MANUFACTURED BY THE KUPFERLE FOUNDRY, ST. LOUIS MO. 63102 OR APPROVED EQUAL.

ITEM	ITEM / DESCRIPTION	NOTES
1	2" MONITOR STAND	
2	2" BALL VALVE	
3	2" MOUNTABLE MONITOR HYDRANT	
4	CONCRETE ANCHORS/LAGS	BY OTHERS
5	CONCRETE PAD	BY OTHERS
6	2" SUPPLY LINE	BY OTHERS

MOUNTABLE MONITOR STAND TO BE INSTALLED AT THE FOLLOWING LOCATIONS:

DISCLAIMER: KUPFERLE'S #44MS HYDRANT AND MOUNTING STAND ARE DESIGNED TO BE USED ON POTABLE WATER SYSTEMS ONLY AND RATED FOR A MAXIMUM PRESSURE OF 250 PSI. PROPER ANCHORING OF THE STAND TO CONCRETE IS SOLEY THE RESPONSIBILITY THE INSTALLER.

			INITIALS	DATE
			DRAWN SMS	04/06/17
			APPROVED DCL	04/06/17
			MODIFIED XXX	MM/DD/YY
DD/MM/YY	ISSUED FOR REFERENCE	#44MS-2 2" MOUNTABLE MONITOR STAND	SCALE	3/4"=1'
DATE	STATUS / REVISION			



2511 NORTH 9TH STREET
ST. LOUIS, MO 63102
1-800-231-3990
FAX 314-231-2820
www.hydrants.com