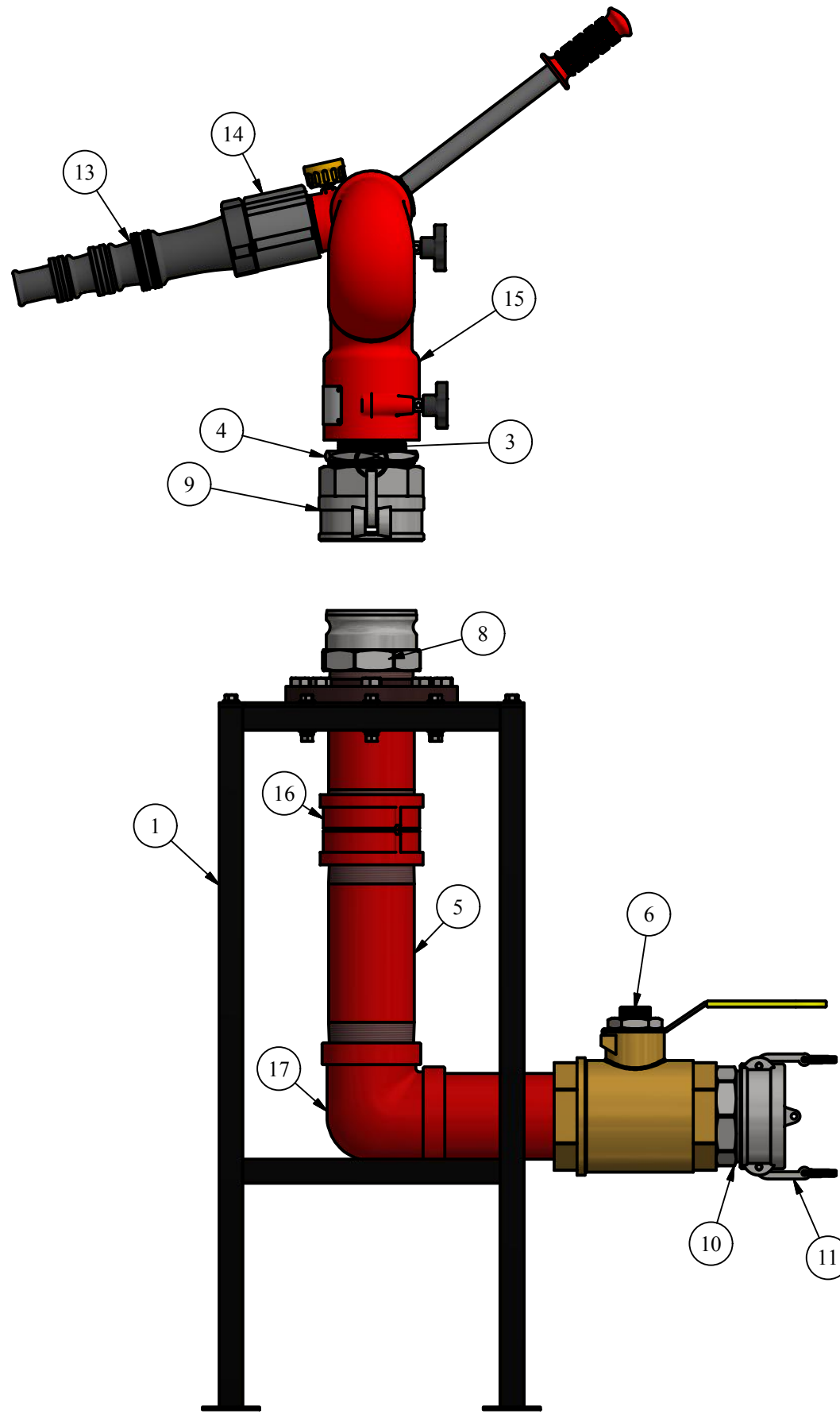


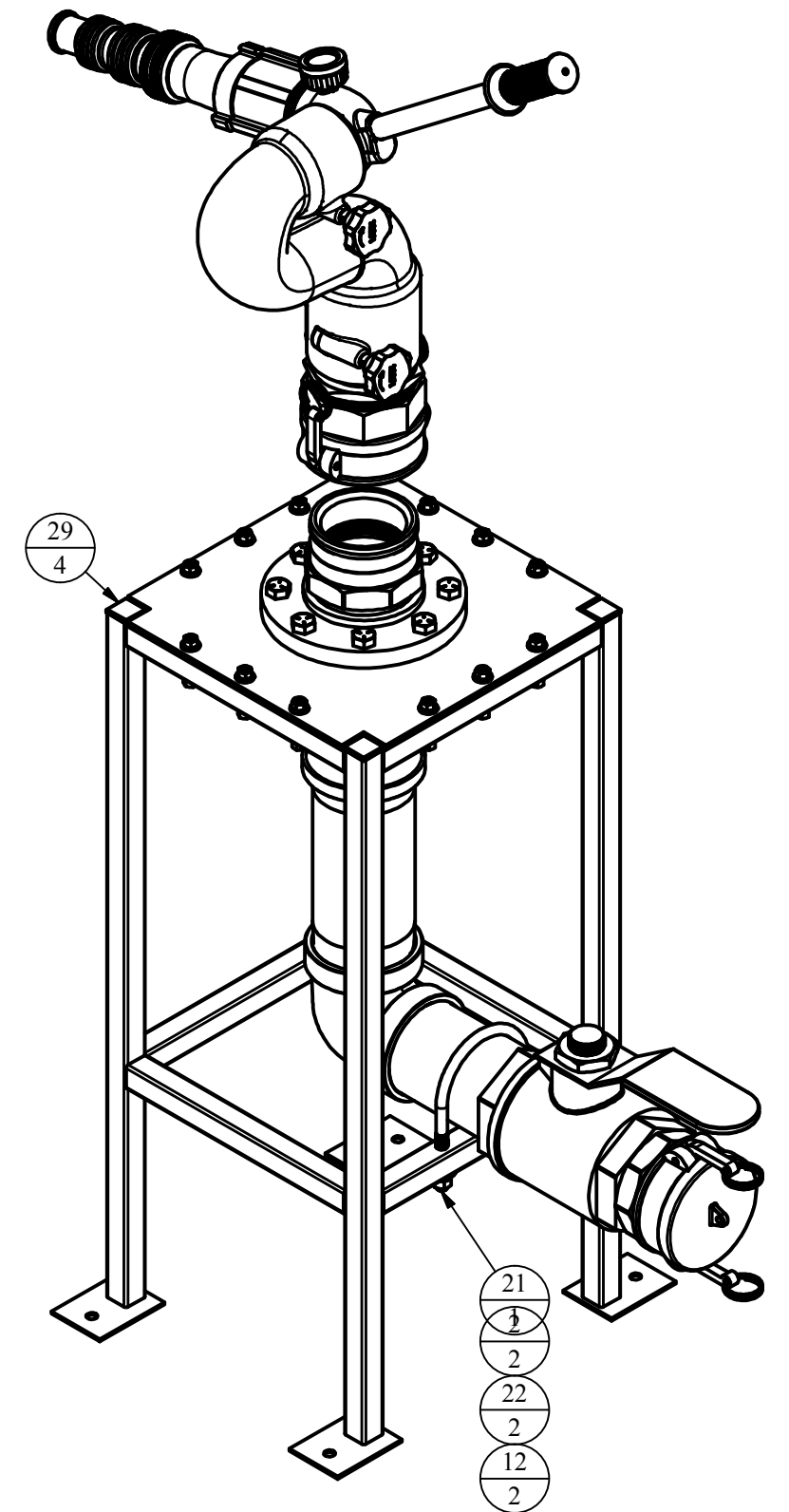
# #44MS-4 MOUNTABLE MONITOR & MONITOR STAND CUT SHEET

## PARTS LIST

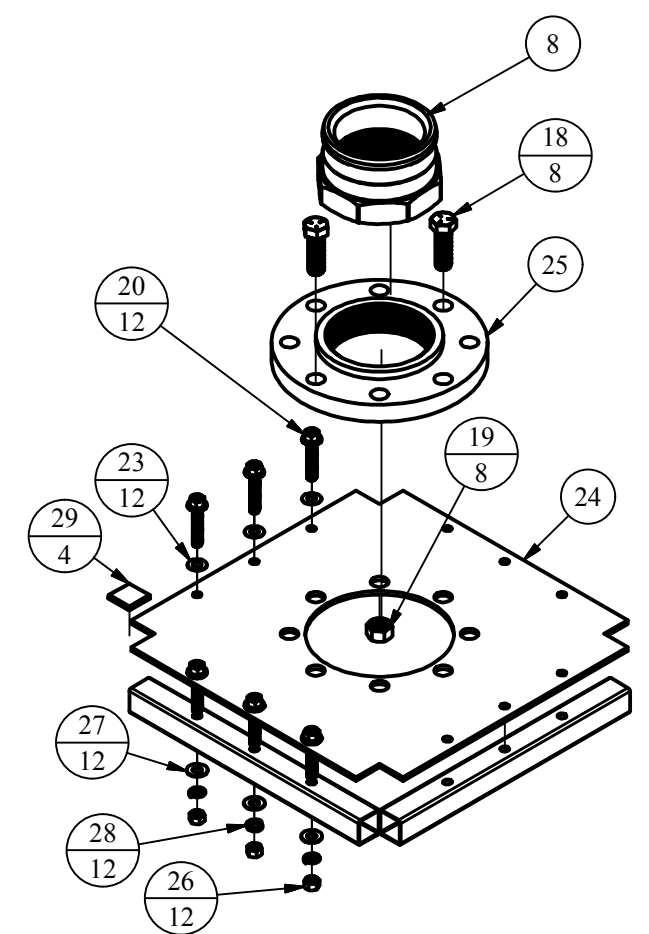
| ITEM | QTY | PART NUMBER   | DESCRIPTION                  | NOTES |
|------|-----|---------------|------------------------------|-------|
| 1    | 12  | 1 1/4ST       | 1-1/4" Steel Tubing          |       |
| 2    | 2   | 1/2WSS        | SS FLAT WASHER               |       |
| 3    | 1   | 3SSCN         | 3" S.S. CLOSE NIPPLE         |       |
| 4    | 1   | 4 x 3SHB      | 4" x 3" S.S. HEX BUSHING     |       |
| 5    | 1   | 44MS          | MONITOR STAND                |       |
| 6    | 1   | 4BV           | 4" BALL VALVE                |       |
| 7    | 3   | 4P            | 4" IRON PIPE                 |       |
| 8    | 1   | 4QD-ASS       | 4" SS "A" QUICK DISCONNECT   | U     |
| 9    | 1   | 4QD-DSS       | 4" S.S. "D" QUICK DISCONNECT |       |
| 10   | 1   | 4QD-FSS       | 4" SS "F" QUICK DISCONNECT   | U     |
| 11   | 2   | 4QDC-SS       | 4" QUICK DISCONNECT CAP      | U     |
| 12   | 2   | 629A-N-SS     | S.S. HEX NUT                 |       |
| 13   | 1   | 7500M-NOZZLE  | MONITOR NOZZLE               | U     |
| 14   | 2   | 7500M-SSHAPER | STREAM SHAPER                | U     |
| 15   | 1   | 7500M-VULVCAN | 4" VULCAN MONITOR            | U     |
| 16   | 1   | 7606          | 4" MERCHANT COUPLING         |       |
| 17   | 1   | 7607          | 4" BLACK 90° ELBOW           |       |
| 18   | 8   | 7625          | FLANGE BOLT                  |       |
| 19   | 8   | 7626          | FLANGE NUT                   |       |
| 20   | 12  | 7627          | PLATE BOLT                   |       |
| 21   | 1   | 7628          | 4" U-BOLT                    |       |
| 22   | 2   | 7629          | SS SPLIT LOCK WASHER         |       |
| 23   | 12  | 7630          | BOLT GASKET                  |       |
| 24   | 1   | 7631          | TOP PLATE                    |       |
| 25   | 1   | 7634          | FLANGE                       |       |
| 26   | 12  | 77Q           | PLATE NUT                    |       |
| 27   | 12  | 9460          | SS FLAT WASHER               |       |
| 28   | 12  | 9461          | SS SPLIT LOCK WASHER         |       |
| 29   | 4   | G98218        | END CAP FOR 1-1/4" TUBING    |       |



## 4" ASSEMBLED MONITOR ISOMETRIC VIEW



## INDIVIDUALIZED MOUNTING HARDWARE ISOMETRIC VIEW



| NOTE | DESCRIPTION  |
|------|--|
| U    | MOUNTABLE MONITOR AND ADDITIONAL QUICK DISCONNECTS SOLD SEPERATELY |

**DISCLAIMER**  
THIS DRAWING IS THE PROPERTY OF THE KUPERLE FOUNDRY COMPANY. IT IS NOT TO BE USED OR DUPLICATED WITHOUT THE PERMISSION OF THE OWNER.

## LEGEND

|         |                     |
|---------|---------------------|
| (X) →   | STANDARD TAG        |
| (X/Y) → | TAG WITH Y QUANTITY |

|          |     |           |
|----------|-----|-----------|
| DRAWN    | SMS | 3/31/2017 |
| CHECKED  | DCL | 4/5/2017  |
| MODIFIED |     |           |

|      |       |
|------|-------|
| SIZE | SCALE |
| C    | 1/8   |

|        |                  |
|--------|------------------|
| DWG NO | #44MS-4 Cut_Rev0 |
|--------|------------------|



2511 NORTH 9TH ST.  
ST. LOUIS, MO 63102  
1-800-231-3990

|        |     |
|--------|-----|
| SHEET  | REV |
| 1 OF 1 | 0   |