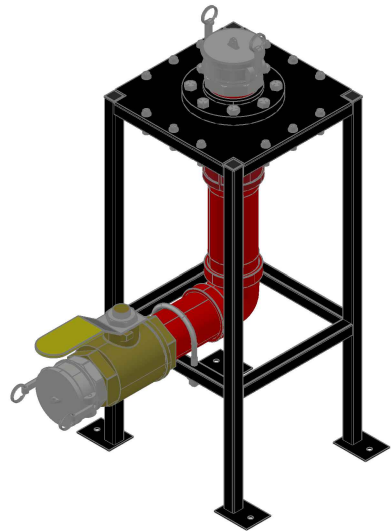
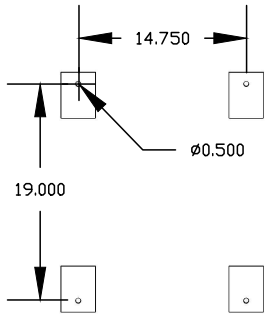


#44MS-4 MOUNTABLE MONITOR STAND SPEC SHEET



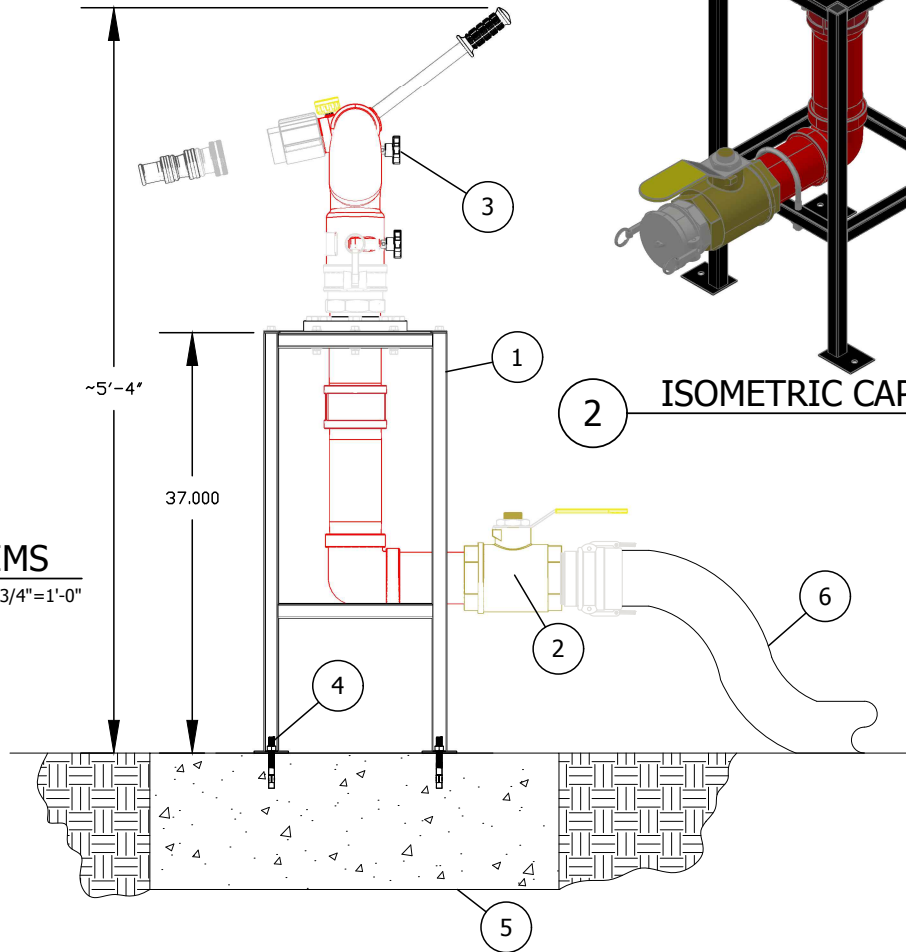
2 ISOMETRIC CAPPED VIEW

Scale: 3/4"=1'-0"



1 MOUNTING DIMS

Scale: 3/4"=1'-0"



MOUNTABLE MONITOR STAND SHALL BE INSTALLED ON A CONCRETE PAD THAT IS AT LEAST ' x ' AND " THICK. STAND SHALL BE ANCHORED TO THE CONCRETE VIA CONCRETE ANCHORS OR LAGS.

ANCHORS OR LAGS SHALL BE INSTALLED ACCORDING TO MANUFACTURERS INSTRUCTIONS.

A 4" VULCAN MONITOR MAY BE ATTACHED TO THE TOP OF THE STAND VIA A PAIR OF STAINLESS STEEL QUICK DISCONNECTS. A SUPPLY LINE SHALL BE CONNECT TO THE STAND VIA ANOTHER PAIR OF STAINLESS STEEL QUICK DISCONNECTS. A BALL VALVE, LOCATED IMMEDIATELY AFTER THE INLET. DISCONNECT SHALL ALLOW FOR FLOW CONTROL AT THE WASH DOWN LOCATION.

WATER MUST BE TURNED OFF AT THE SOURCE AND THE BALL VALVE PLACED IN THE OPEN POSITION BEFORE ANY QUICK DISCONNECTS ARE OPENED.

THE 4" MOUNTABLE MONITOR STAND AS MANUFACTURED BY THE KUPFERLE FOUNDRY, ST. LOUIS MO. 63102 OR APPROVED EQUAL.

ITEM	ITEM / DESCRIPTION	NOTES
1	4" MONITOR STAND	
2	4" BALL VALVE	
3	4" MOUNTABLE MONITOR HYDRANT	
4	CONCRETE ANCHORS/LAGS	BY OTHERS
5	CONCRETE PAD	BY OTHERS
6	4" SUPPLY LINE	BY OTHERS

MOUNTABLE MONITOR STAND TO BE INSTALLED AT THE FOLLOWING LOCATIONS:

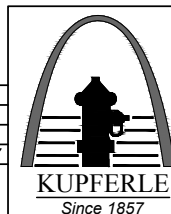
DISCLAIMER: KUPFERLE'S #44MS HYDRANT AND MOUNTING STAND ARE DESIGNED TO BE USED ON POTABLE WATER SYSTEMS ONLY AND RATED FOR A MAXIMUM PRESSURE OF 250 PSI. PROPER ANCHORING OF THE STAND TO CONCRETE IS SOLEY THE RESPONSIBILITY THE INSTALLER.

DD/MM/YY	ISSUED FOR REFERENCE
DATE	STATUS / REVISION

#44MS-4 4" MOUNTABLE MONITOR STAND

	INITIALS	DATE
DRAWN	SMS	04/06/17
APPROVED	DCL	04/06/17
MODIFIED	XXX	MM/DD/YY

SCALE
1"=1'



2511 NORTH 9TH STREET
ST. LOUIS, MO 63102
1-800-231-3990
FAX 314-231-2820
www.hydrants.com

SHEET 1 OF 1