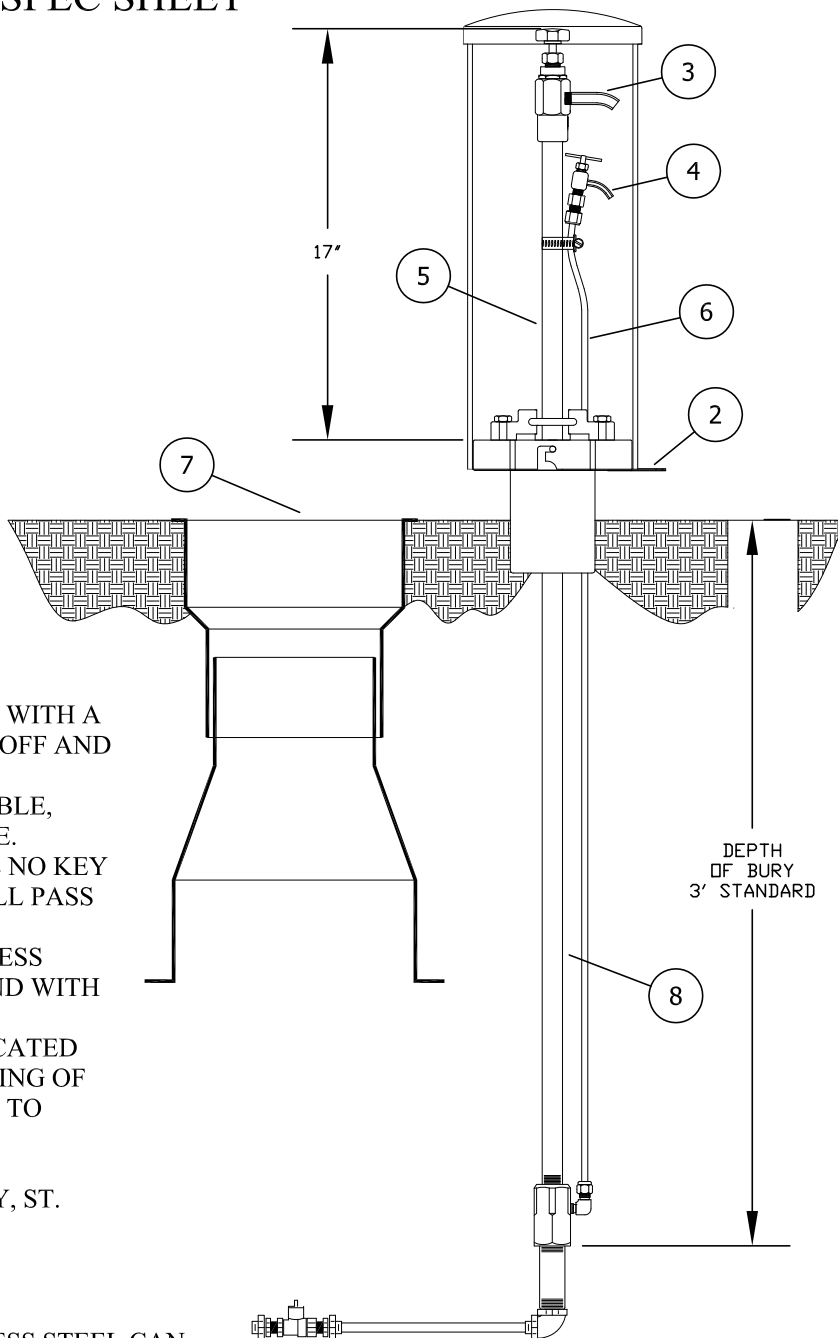
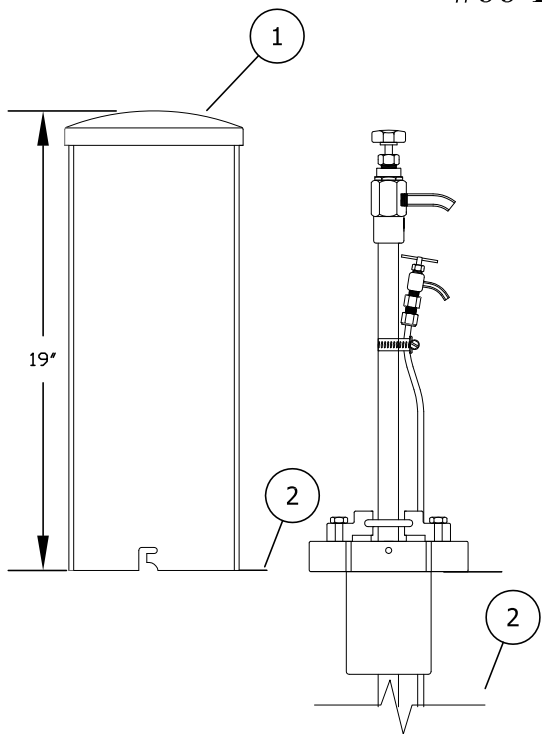


#66-D SAMPLING STATION SPEC SHEET



SAMPLING STATION SHALL BE ____' BURY, WITH A 3/4" FIP INLET, AND 7/16" UNTHREADED BLOW OFF AND SAMPLING BIBB.

STATION SHALL BE ENCLOSED IN A LOCKABLE, REMOVABLE 7" ROUND UV RATED ENCLOSURE.

WHEN OPEN, THE STATION SHALL REQUIRE NO KEY FOR OPERATION, AND ALL WATER FLOW SHALL PASS THRU AN ALL STAINLESS STEEL WATERWAY.

ALL WORKING PARTS SHALL BE OF STAINLESS STEEL AND SERVICABLE FROM ABOVE GROUND WITH NO DIGGING OR REPLACEMENT NEEDED.

A STAINLESS STEEL PET COCK WILL BE LOCATED BELOW THE SAMPLING BIBB TO ALLOW PUMPING OF ANY WATER REMAINING INSIDE THE STATION TO INSURE NON-FREEZING.

THE STATION SHALL BE MODEL #66-D AS MANUFACTURED BY THE KUPFERLE FOUNDRY, ST. LOUIS MO. 63102 OR APPROVED EQUAL.

NOTES:

IN SOME CONDITIONS CORROSION OF STAINLESS STEEL CAN OCCUR (EXPOSURE TO SALT WATER, DIRECT EXPOSURE TO STRONG CHLORIDES, ETC.). PROPER MAINTENANCE OF THE EXPOSED STAINLESS STEEL PARTS USING PROPER STAINLESS STEEL CLEANING AGENTS WILL INCREASE THE LIFESPAN OF THE HYDRANT. IF DESIRED, KUPFERLE CAN ALSO OFFER AN ADDITIONAL PASSIVATION PROCESS FOR ADDITIONAL CORROSION PROTECTION.

#66-D SAMPLING STATION TO BE INSTALLED AT THE FOLLOWING LOCATIONS:

ITEM	ITEM / DESCRIPTION	NOTES
1	7" ROUND UV RESISTANT ENCLOSURE	
2	LOCKING BRACKET	
3	BLOW OFF & SAMPLING BIBB	
4	PET COCK	
5	1/2" S.S. WATERWAY	
6	1/4" S.S. TUBING	
7	VALVE BOX	BY OTHERS
8	3/4" S.S. NIPPLE	BY OTHERS

DRAWN
DCL
APPROVED
DCL
DATE
8/30/13
SCALE
1-1/2"=1'



2511 NORTH 9TH STREET
ST. LOUIS, MO 63102
1-800-231-3990
FAX 314-231-2820
www.hydrants.com

DD/MM/YY	ISSUED FOR REFERENCE
DATE	STATUS / REVISION