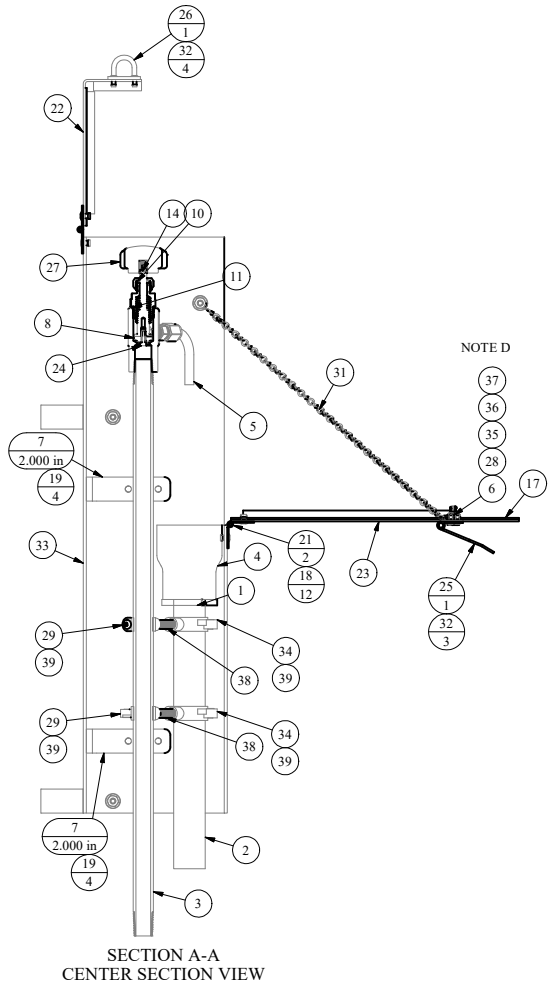
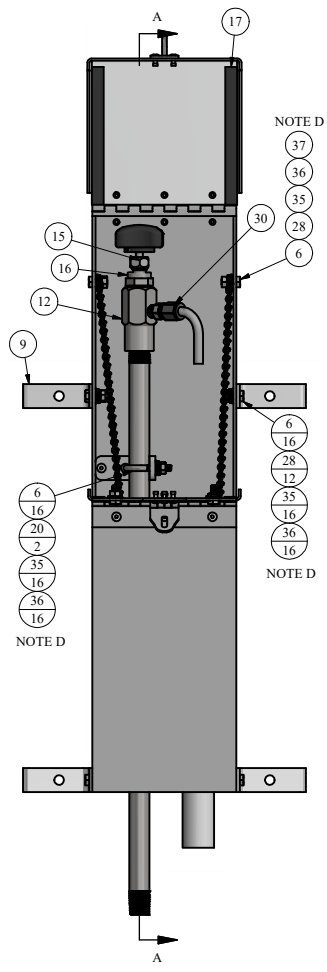


# 66-MB CUT SHEET

## PARTS LIST

ITEM	QTY	PART NUMBER	DESCRIPTION	NOTES
1	1	1-1/2 x 1PHB	1-1/2" x 1" SCH. 40 PVC HEX BUSHING	
2	12.000 in	1PVCP	1" SCH. 40 PVC PIPE	C
3	24.000 in	1SSP	1/2" S.S. PIPE	C
4	1	2 x 1 1/2PR	2" x 1-1/2" SCH. 40 PVC BELL REDUCER	
5	3.053 in	3/8ST	3/8" S.S. NOZZLE TUBING	C
6	16	345-N	S.S. ENCLOSURE NUT	
7	2.000 in	4 ALUM ANGLE	MOUNTING BRACKET	
8	1	418-B	BEVELED BIBB WASHER	
9	4.000 in	5 ALUM ANGLE	WALL MOUNTING BRACKET	
10	1	66S07	O-RING (PACKING NUT)	
11	1	66S09	O-RING (STEM)	
12	1	66S11-MB	HEADSTOCK - MB	
13	1	66S13	STEM (WARM CLIMATE)	
14	1	66S14	HANDLE/KNOB PIN	C
15	1	66S15	PACKING NUT	
16	1	66S16	HEADSTOCK TOP NUT	
17	4	66S17	FOAM STRIP	
18	12	66S18	SHORT AL RIVET	
19	4	66S19	MOUNTING BRACKET RIVET	
20	2	66S20	S.S. U-BOLT FOR 1/2" PIPE	
21	2	66S21	HINGE 6in PREDRILLED	
22	1	66S23	ENCLOSURE LID	
23	1	66S24	ENCLOSURE DOOR	
24	1	66S28	PLUNGER SCREW	
25	1	66S37	PADLOCK HASP	
26	1	66S38	PADLOCK EYE	
27	1	66S42	HANDLE	C
28	12	66S47	S.S. BOLT FOR ENCLOSURE	
29	2	66S48	1/2" PIPE CLAMP	
30	1	66S49	3/8" COMP. x 1/4" MIP S.S. ADAPTER	C
31	2	66S51	CHAIN	
32	7	66S90	RIVET FOR HASP AND STRIKE PLATE	
33	24.000 in	6ALSQ	ENCLOSURE	
34	2	88-20	1" PIPE CLAMP	
35	16	9419	1/4" S.S. Flat Washer	
36	16	9458	1/4" S.S. Lock Washer	
37	4	9464	S.S. "S" HOOK	
38	3.000 in	9806	3/8" S.S. THREADED ROD	
39	4	9821	S.S. SCREW FOR PIPE CLAMP	A

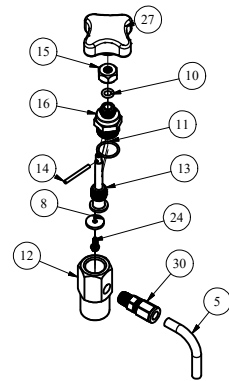


SECTION A-A  
CENTER SECTION VIEW

## REPAIR KITS

PART NUMBER	DESCRIPTION	PARTS INCLUDED
X66-DOOR	66 ENCLOSURE DOOR COMPLETE	66S24 DOOR (1), 66S37 HASP (1), 66S90 HASP RIVET (3), 66S21 HINGE (.5), 66S18 HINGE RIVET (6)
X66-LID	66 ENCLOSURE LID COMPLETE	66S23 LID (1), 66S38 PADLOCK EYE (1), 66S21 HINGE (.5), 66S18 HINGE RIVET (6), 66S90 HASP RIVET (4), 66S42 KNOB (1), 66S14 HANDLE/ROD PIN (1), 66S13 STEM (1), 66S15 PACKING NUT (1), 66S07 NUT O-RING (1), 66S16 TOP NUT (1), 66S09 STEM O-RING (1), 418-B BIBB WASHER (1), 66S28 SCREW (1)
X66-TOP SCREW	TOP SCREW ASSEMBLY COMPLETE	66S31 HEADSTOCK (1), 66S49 ADAPTER (1), 3/8ST TUBING (0.25 FT)
X66MB - HEADSTOCK	66MB HEADSTOCK ASSEMBLY COMPLETE	66S23 LID (1), 66S37 HASP (1), 66S24 DOOR (1), 66S38 LOCK EYE (1), 66S21 HINGE (0.94 FT), 66S18 SHORT RIVET (12), 4 ALUM ANGLE (0.2 FT), 5 ALUM ANGLE (0.33 FT), 66S62 BRACKET RIVET (4), 66S17 TRIM (3 FT), 66S52 CHAIN (2 FT), 6ALSQ ENCLOSURE (2 FT), 9464 S HOOK (4), 9419 WASHER (12), 9458 LOCK WASHER (12), 345-N NUT (12), 66S47 BOLT (12), 66S90 HASP RIVET (7)
X66MB-HOUSING	66MB ENCLOSURE COMPLETE	
X66WCRK	#66WC REPAIR KIT	418-B BIBB WASHER (1), 66S28 SCREW(1)

## HEADSTOCK ASSEMBLY



NOTE	DESCRIPTION
A	NOT SHOWN
C	SOLD AS REPLACEMENT PART
D	BOLT ASSEMBLY USED ON ALL SIMILAR HOLES/BRACKETS

**DISCLAIMER:**  
THIS DRAWING IS THE PROPERTY OF THE KUPFERLE  
FOUNDARY COMPANY. IT IS NOT TO BE USED OR  
DUPLICATED WITHOUT THE PERMISSION OF THE OWNER

LEGEND	
(X)	STANDARD TAG
(X/Y)	TAG WITH Y QUANTITY

DRAWN	SMS	1/24/2018
CHECKED	DCL	2/14/2018
MODIFIED	ADC	5/9/2023
SIZE	C	
SCALE	1/4	
DWG NO	#66-MB	

2511 NORTH 9TH ST.  
ST. LOUIS, MO 63102  
1-800-231-3990

SHEET	REV
1 OF 1	2.1